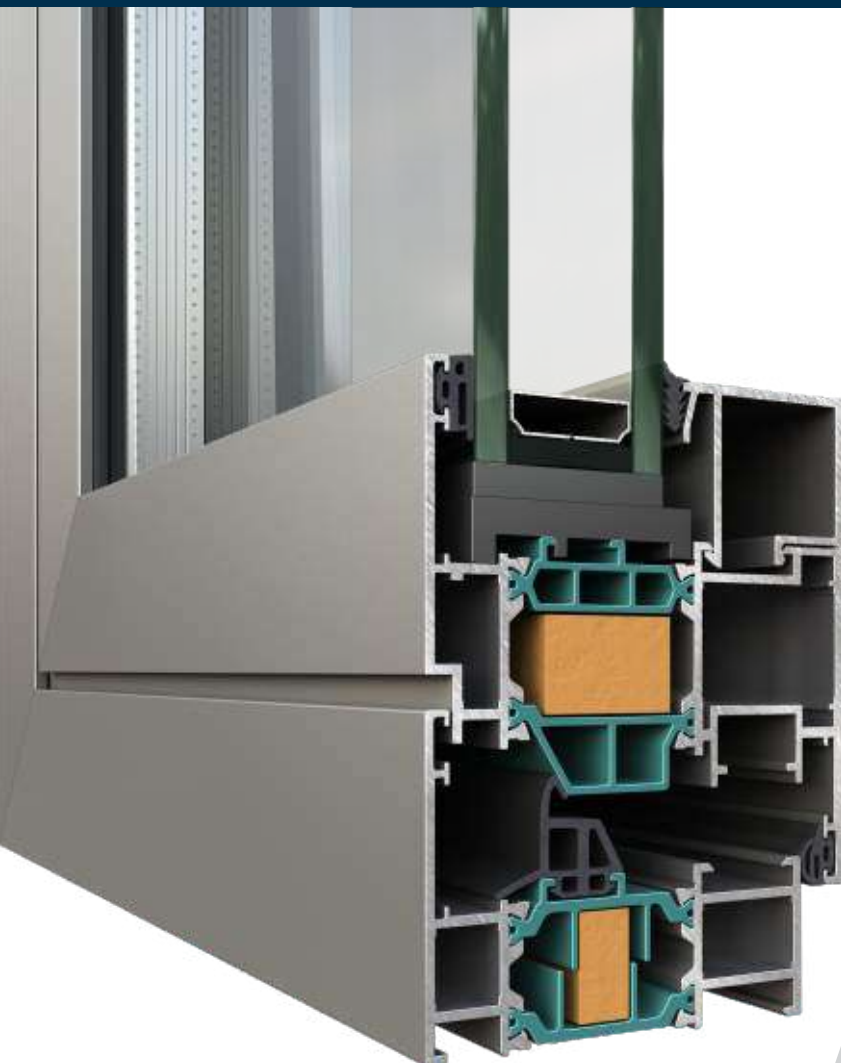

ALTEST

ALUMINIUM PROFILE SYSTEMS



Series WDS 70



Series WDS 70

ATTENTION!

For faultless operation, please read carefully this catalogue!

It was elaborated by ALTEST Company. Its copying, reproduction and reprinting without our consent is not welcomed!

The profiles presented in the catalogue are patented and ALTEST Company has the exclusive rights.

ALTEST Company reserves the right to modify the profiles and the presented sections at its own discretion. The system is equipped with full set of calculations made in accordance with the existing manufacturing requirements, presented in this catalogue.

In conclusion – use original ALTEST profiles in compliance with the peculiarities and the technical characteristics presented in this catalogue.

CONTENTS

INTRODUCTION	4 - 6
PROFILES OVERVIEW	7 - 12
PROFILES	13 - 28
WINDOWS	
ASPECT SECTIONS	30
WINDOWS SECTIONS	31 - 52
GLAZING OPTIONS	53 - 54
DOORS	
ASPECT SECTIONS	56
DOORS SECTIONS	57 - 72
GLAZING OPTIONS	73
DETAILS	75 - 86
SCHEMES	87 - 94
THREE DIMENSIONS DETAILS	95 - 121

INTRODUCTION

The window and door system "WDS 70" of company ALTEST is based on a 70mm thermally isolated aluminium frame series designed according to European standards and is designed to receive hardware and accessories commonly used in PVC windows and doors.

It is a thermal break system with 34mm polyamide on the frame profile and 34mm for the sash.

The system consists of wide composition of profiles suitable for many kinds of typologies and architectural solutions.

It is designed to fulfil exterior and interior architectural applications where thermal break is required.

The system "WDS 70" is suitable for different version of opening and fixed systems.

The range of profiles, modern accessories and gaskets of EPDM guarantee high performance, excellent drainage, high thermal resistance, high acoustic performance, and high wind resistance.

The series is suitable also for tilt and turn mechanism with a PVC groove.

Versions of fixed, vertical and horizontal opening windows as well as fixed and opening sections doors are possible.

The system "WDS 70" is based on work with 2 seal gaskets - central and inner seal (the central gasket is specially design for the series).

The dimensions of the profiles are to accept PVC hardware accessories and aluminium press corner connecting joints.

The system can accept accessories from the companies: GU, Siegenia, Roto, and many others.

The range basic profiles (frames) and glass holders, allows the usage of 24mm to 44mm glazing.

Of course variable design elaborations are possible, due to wide variety of frames, sashes and other auxiliary profiles.

This is a modern aluminium system, satisfying the latest architectural trends for doors and windows with very high thermal performances.

These advantages allow the system to be integrated in all kind of weather conditions and different buildings.

The profiles can be painted in all range of RAL colors.

The profiles are produced according to DIN 1725 T1, and is produce with the aluminium alloy AW6063 T6.

The technical and mechanical characteristics of the particular alloy are:

Elasticity module: 70 000 Nmm-2

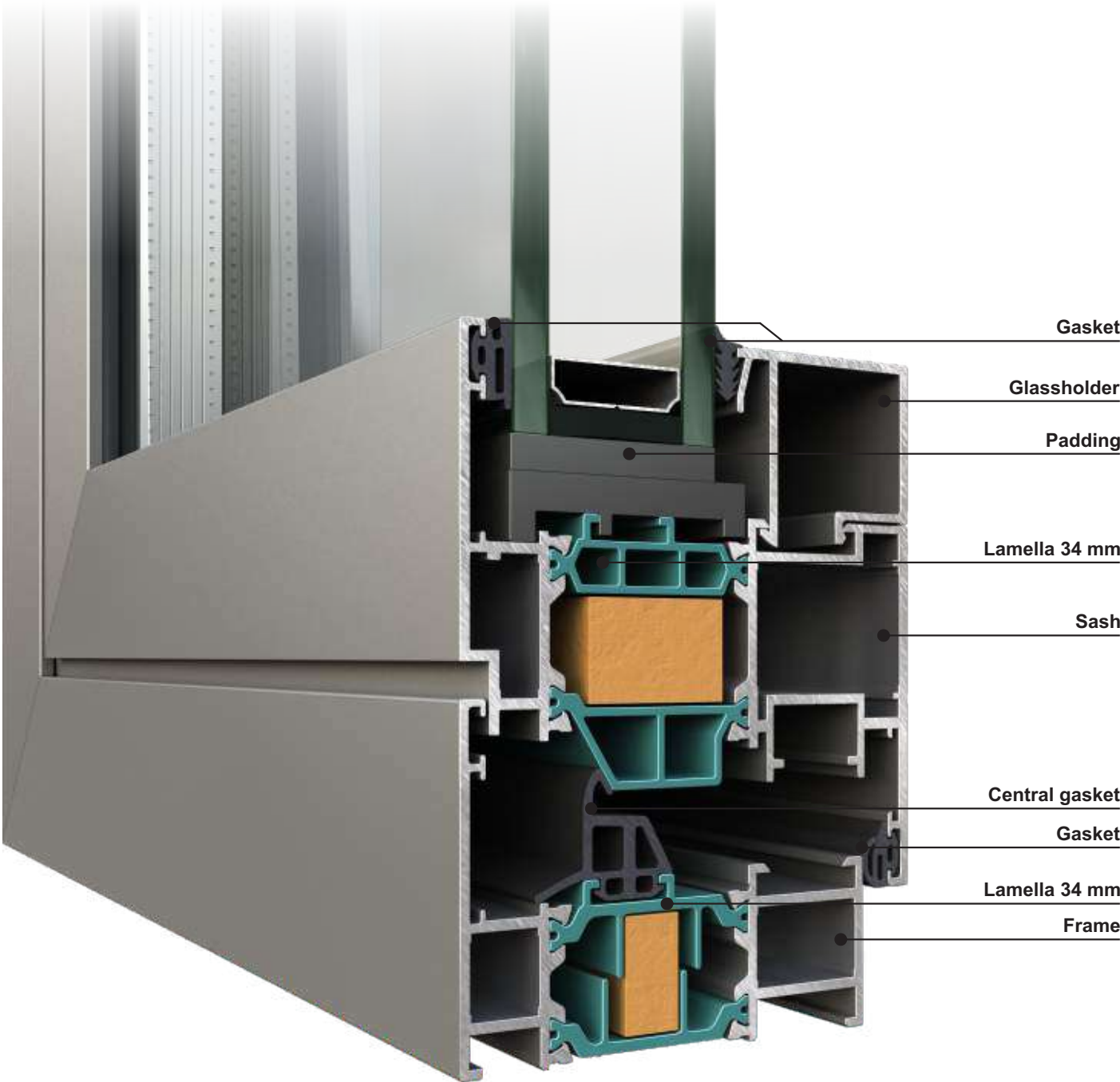
Coefficient of linear expansion: $\alpha = 2.34 \cdot 10^{-6} \text{ K}^{-1}$

Tensile strength: $R_m = 215 \text{ Nmm}^{-2}$

Relative density: $\gamma = 2.7 \text{ gr.cm}^{-3}$

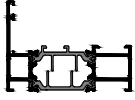
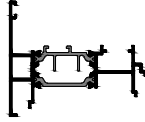
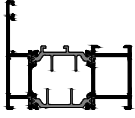
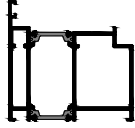
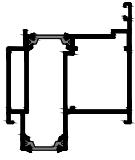
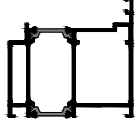
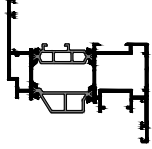
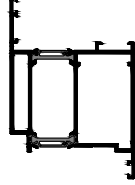
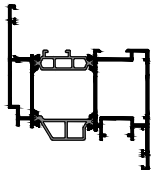
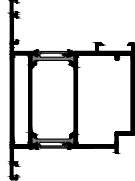
Series WDS 70

INTRODUCTION

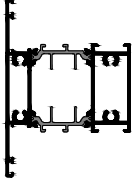

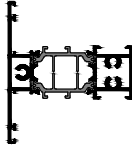
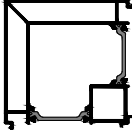
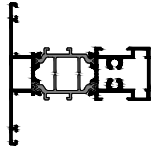
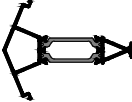
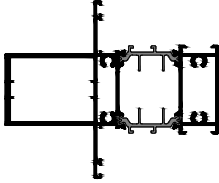
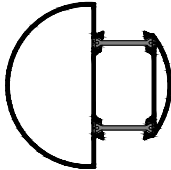
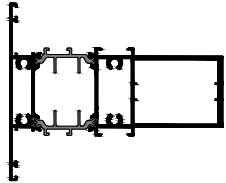



PROFILES OVERVIEW

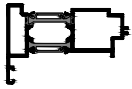
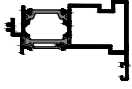



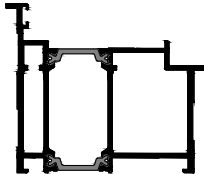
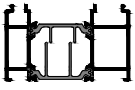
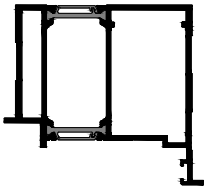


PROFILES OVERVIEW

Profile shape	Profile code / description	Weight (gr/m)	Profile shape	Profile code / description	Weight (gr/m)
	05 0100 frame	1245		05 0322 overhung	1277
	05 0101 frame	1419		05 1103 door Z-frame	1857
	05 1102 insertion frame	2090		05 1104 door T-frame	1831
	05 0205 sash	1735		05 1203 door Z-sash	2170
	05 0211 sash	1943		05 1204 door T-sash	2164

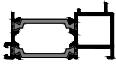
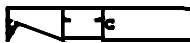







PROFILES OVERVIEW

Profile shape	Profile code / description	Weight (gr/m)	Profile shape	Profile code / description	Weight (gr/m)
	05 0301 mullion	2077		05 0603	1609
	05 0304 mullion	1685		05 0604	1976
	05 0309 mullion	1713		05 0605	1027
	05 0302 mullion	2928	NEW * 	530 0325	1327
	05 0303 mullion	2927		05 0602	949

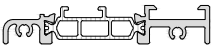

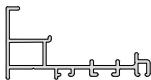

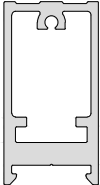


PROFILES OVERVIEW

Profile shape	Profile code / description	Weight (gr/m)	Profile shape	Profile code / description	Weight (gr/m)
	05 1303	1546		05 1304	1238
	05 1400	693		05 1401	667
	05 1420	972	NEW * 	05 1503	1977
	05 0600	1452	NEW * 	05 1603	2085
	05 0700	755		05 0804	1060






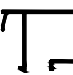
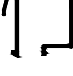



PROFILES OVERVIEW

Profile shape	Profile code / description	Weight (gr/m)	Profile shape	Profile code / description	Weight (gr/m)
	05 0805	900	NEW * 	05 0850	1647
	05 1410	646	NEW * 	05 0900	135
NEW * 	05 0810	218		05 1411	222
	05 0800	246		05 0802	136
	05 0803	141			

PROFILES OVERVIEW

Profile shape	Profile code / description	Weight (gr/m)	Profile shape	Profile code / description	Weight (gr/m)
NEW* 	05 1430 low threshold balcony door with a tilt and turn sash	610	NEW* 	0128 Tube 20 x 180	
NEW* 	05 1405 low threshold adapter for window sash	395	NEW* 	0130 Tube 20 x 210	
NEW* 	05 0750 reinforcement profile	1145			
NEW* 	05 0760 cover cap for 05 0750	113			
NEW* 	0127 Tube 20 x 160				

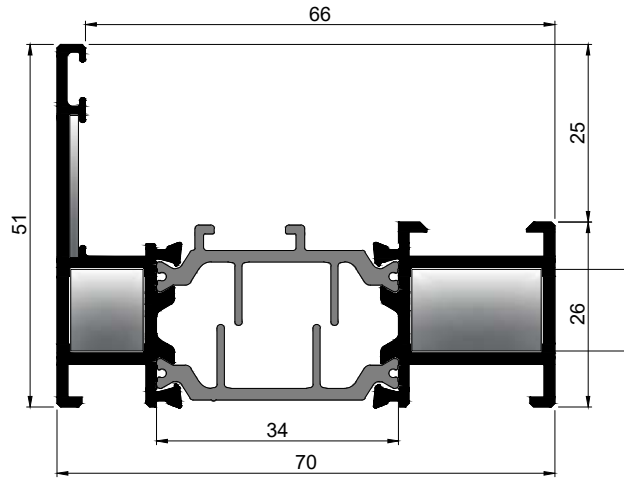
PROFILES OVERVIEW

Profile shape	Profile code / description	Weight (gr/m)	Profile shape	Profile code / description	Weight (gr/m)
	05 0400 Glass bead (for frame and for mullion to frame)	388			
	05 0401 Glass bead (for frame and for mullion to frame)	371			
	05 0402 Glass bead (for frame and for mullion to frame)	364			
	05 0403 Glass bead (for frame and for mullion to frame)	355			
	05 0404 Glass bead (for frame and for mullion to frame)	345			
	05 0500 Glass bead (for sash and for mullion to sash)	455			
	05 0501 Glass bead (for sash and for mullion to sash)	439			
	05 0502 Glass bead (for sash and for mullion to sash)	431			
	05 0503 Glass bead (for sash and for mullion to sash)	421			
	05 0504 Glass bead (for sash and for mullion to sash)	412			

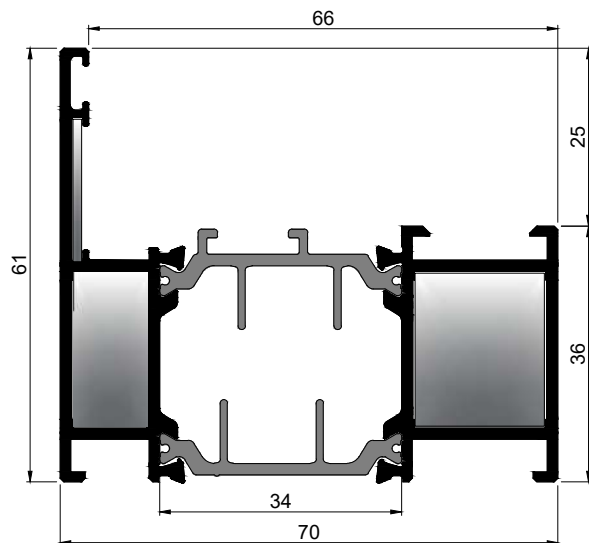
**Series
WDS 70**

PROFILES

PROFILES



FRAME 05 0100	Weight gr/m	Ix / Iy cm4	Wx / Wy cm3
	1245	5.07 / 25.66	1.45 / 6.60
JOINTS	APE 720	WDS05010 WDS05011	
GASKETS	U2 EPDM gasket for fixing the glass	US 11.5105 EPDM central gasket for the opening parts	US 0723 EPDM gasket for the fix parts
	US 0724 EPDM gasket for the fix parts		

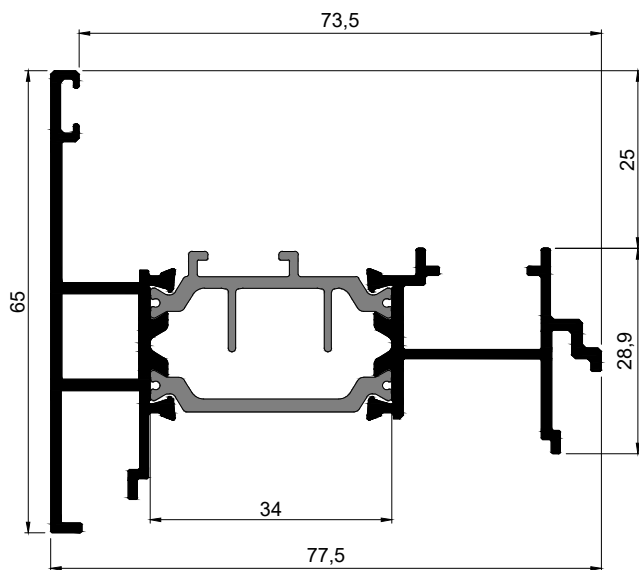



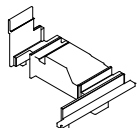
FRAME 05 0101	Weight gr/m	Ix / Iy cm4	Wx / Wy cm3
	1419	9.49 / 30.47	2.38 / 5.787
JOINTS	APE 720	WDS05500 WDS05510	
GASKETS	U2 EPDM gasket for fixing the glass	US 11.5105 EPDM central gasket for the opening parts	US 0723 EPDM gasket for the fix parts
	US 0724 EPDM gasket for the fix parts		

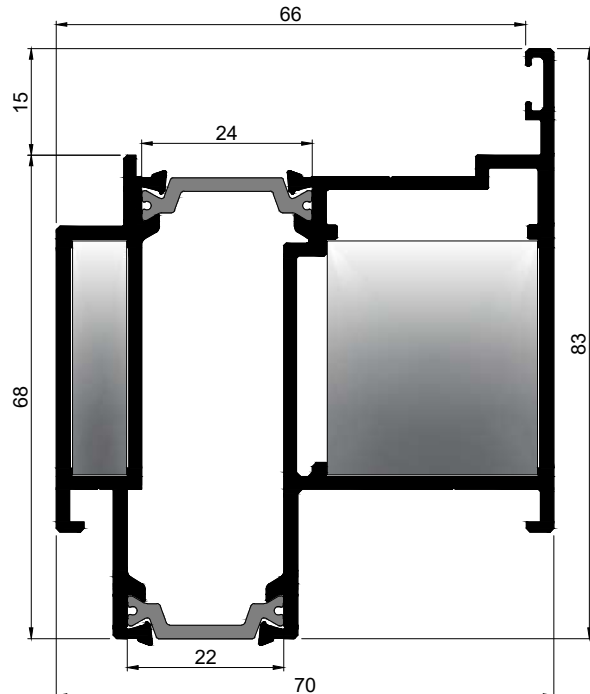
ALL OF THE PROFILE WEIGHTS ARE THEORETICAL.

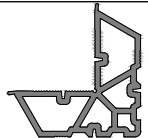

M 1:1

PROFILES



OVERHUNG 05 0322	Weight gr/m	Ix / Iy cm4	Wx / Wy cm3
	1277	6.55 / 28.81	1.77 / 5.89
GASKETS	 EPDM central gasket for the opening parts US 11.5105		
COVER CAPS	 APE 316		



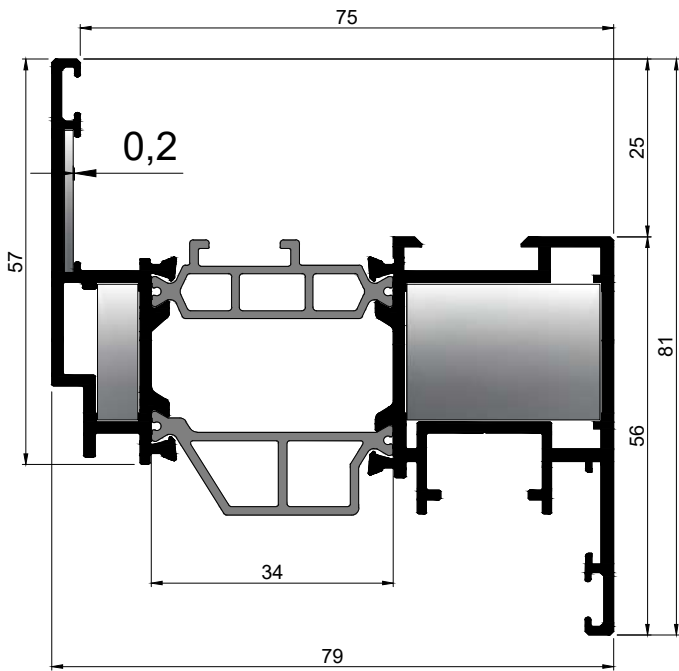
SASH 05 0205	Weight gr/m	Ix / Iy cm4	Wx / Wy cm3
	2090	31.78 / 43.26	7.22 / 11.88
JOINTS	 WDS05100 WDS05101		
GASKETS	 EPDM gasket for fixing the opening parts US 11.5102		

ALL OF THE PROFILE WEIGHTS ARE THEORETICAL.

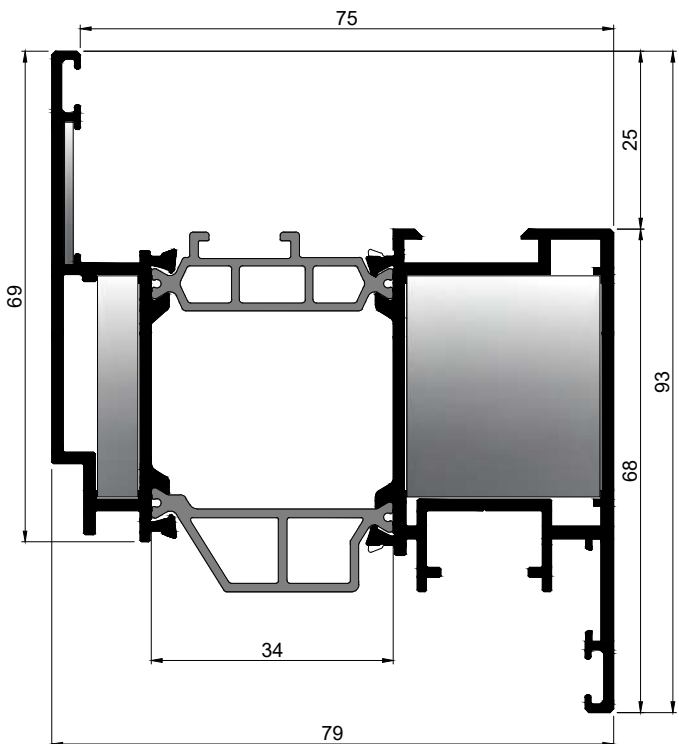
M 1:1

Series WDS 70

PROFILES



SASH 05 0205	Weight gr/m	lx / ly cm4	Wx / Wy cm3
	1735	14.15 / 47.07	3.35 / 11.29
JOINTS	APE 720	APE 7	WDS05120 WDS05121
GASKETS	EPDM gasket for fixing the glass U2	EPDM gasket for the fix parts US 0724	EPDM gasket for fixing the opening parts US 11.5102 EPDM gasket for the fix parts US 0723



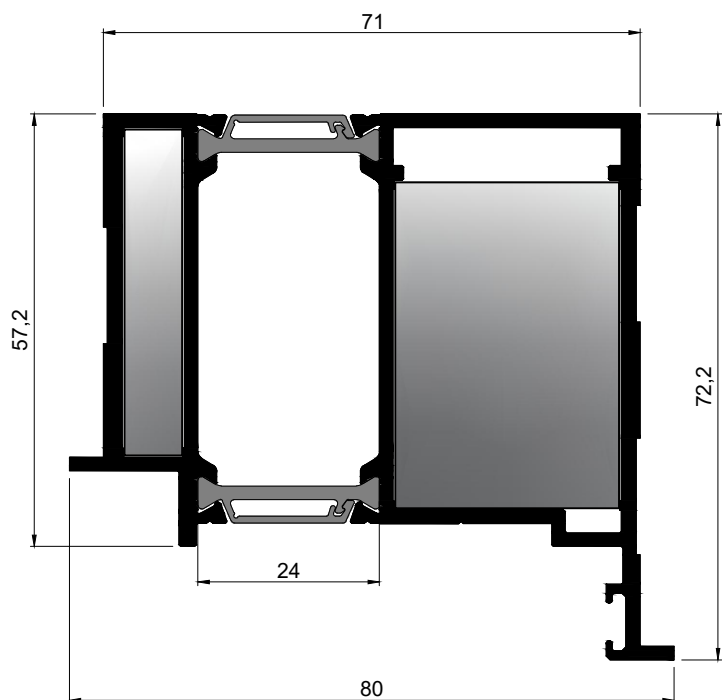
SASH 05 0211	Weight gr/m	lx / ly cm4	Wx / Wy cm3
	1943	24.99 / 54.45	5.16 / 13.31
JOINTS	APE 720	APE 7	WDS05110 WDS05111
GASKETS	EPDM gasket for fixing the glass U2	EPDM gasket for the fix parts US 0724	EPDM gasket for fixing the opening parts US 11.5102 EPDM gasket for the fix parts US 0723

ALL OF THE PROFILE WEIGHTS ARE THEORETICAL.

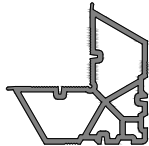

M 1:1

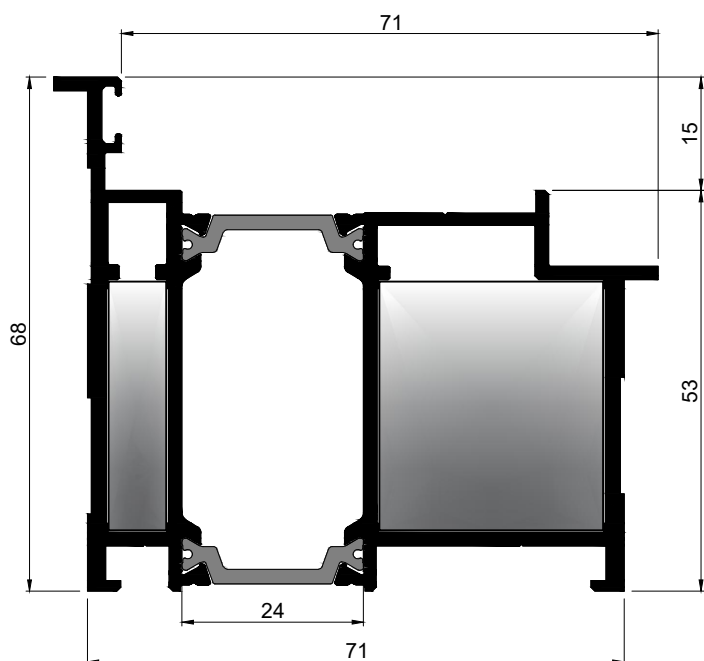
Series WDS 70

PROFILES

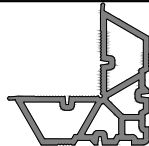



NEW

SASH 05 1603	Weight gr/m	Ix / Iy cm4	Wx / Wy cm3
	2085	40.11 / 50.63	6.51 / 12.05
JOINTS			WDS05800 WDS05810
GASKETS	 EPDM gasket for fixing the opening parts US 11.5102		
CAPS	WDS 1412 - Set plugs for single-sash flat door with brush seal		



NEW

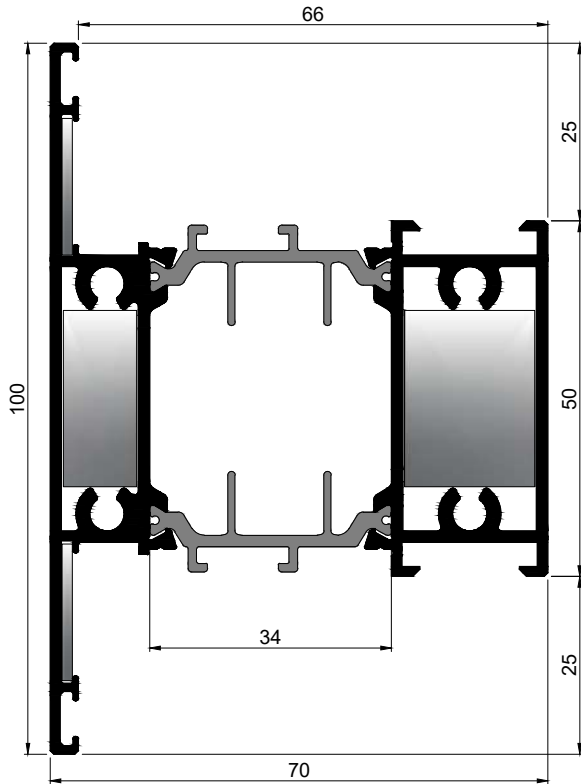
FRAME 05 1503	Weight gr/m	Ix / Iy cm4	Wx / Wy cm3
	1977	23.84 / 41.62	5.90 / 13.03
JOINTS			WDS05100 WDS05101
GASKETS	 EPDM gasket for fixing the opening parts US 11.5102		

ALL OF THE PROFILE WEIGHTS ARE THEORETICAL.

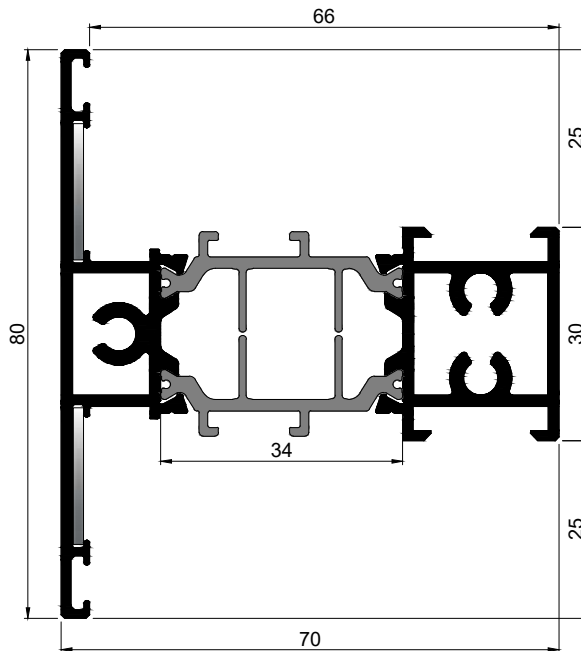
M 1:1

Series WDS 70

PROFILES



MULLION 05 0301	Weight gr/m	lx / ly cm4	Wx / Wy cm3
	2077	29.59 / 47.99	5.92 / 12
JOINTS	WDS05300	WDS05410	VM 12212
	APE1701DX	APE1701SX	
GASKETS	US 0723 EPDM gasket for the fix parts	US 0724 EPDM gasket for the fix parts	US 11.5105 EPDM central gasket for the opening parts



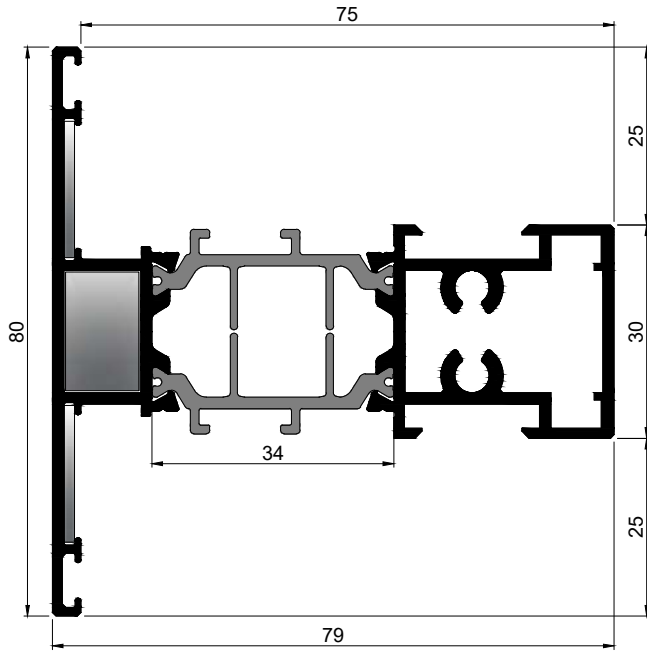
MULLION 05 0304	Weight gr/m	lx / ly cm4	Wx / Wy cm3
	1685	11.17 / 37.35	2.79 / 9.34
GASKETS	US 0723 EPDM gasket for the fix parts	US 0724 EPDM gasket for the fix parts	US 11.5105 EPDM central gasket for the opening parts
JOINTS	APE1701DX	APE1701SX	
	VM 12212		








ALL OF THE PROFILE WEIGHTS ARE THEORETICAL.

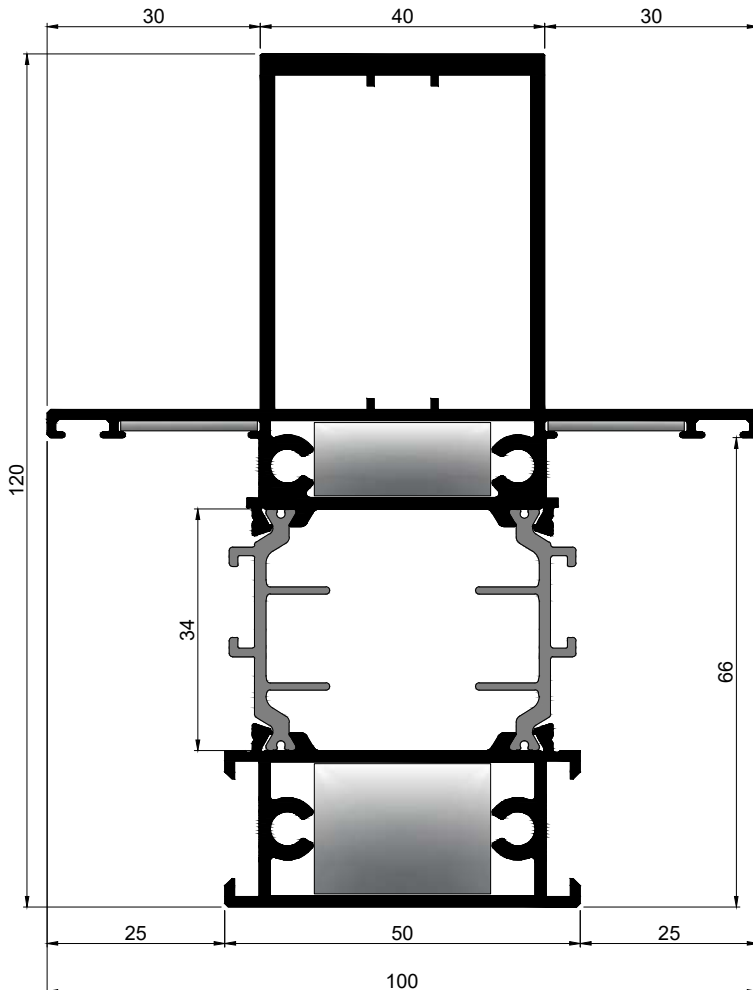
M 1:1



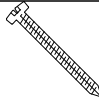





Series WDS 70

PROFILES



MULLION 05 0309	Weight gr/m	Ix / Iy cm4	Wx / Wy cm3
	1575	11.93 / 45.85	2.98 / 10.61
JOINTS	 WDS05400		 VM 12212
	 APE1701DX		 APE1701SX
GASKETS	 US 0723 EPDM gasket for the fix parts		 US 0724 EPDM gasket for the fix parts
			 US 11.5105 EPDM central gasket for the opening parts



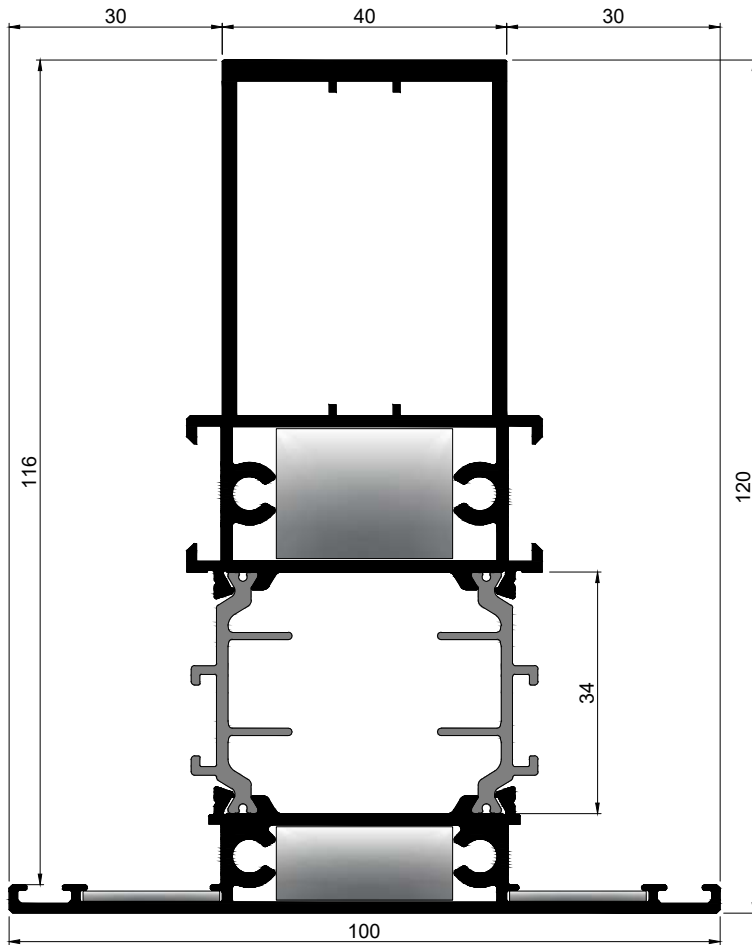
MULLION 05 0302	Weight gr/m	Ix / Iy cm4	Wx / Wy cm3
	2928	40.27 / 207.81	8.05 / 27.56
JOINTS	 WDS05310		 WDS05400
	 VM 12212		
GASKETS	 APE1701DX		 APE1701SX
	 US 0723 EPDM gasket for the fix parts		 US 0724 EPDM gasket for the fix parts
		 US 11.5105 EPDM central gasket for the opening parts	




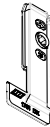

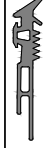


ALL OF THE PROFILE WEIGHTS ARE THEORETICAL.

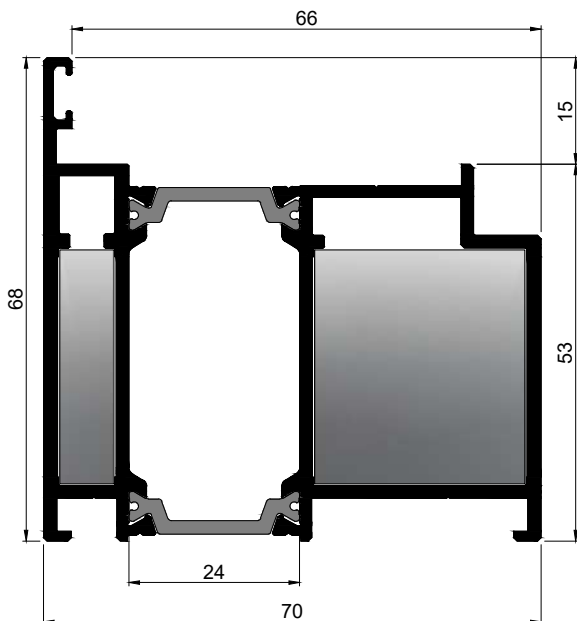
M 1:1

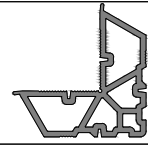

Series WDS 70

PROFILES



MULLION 05 0303	Weight gr/m	Ix / Iy cm4	Wx / Wy cm3
	2927	40.27 / 260.21	8.05 / 36.29
JOINTS	 WDS05310	 WDS05400	 VM 12212
	 APE1701DX	 APE1701SX	
GASKETS	 US 0723 EPDM gasket for the fix parts	 US 0724	EPDM gasket for the fix parts  US 11.5105 EPDM central gasket for the opening parts



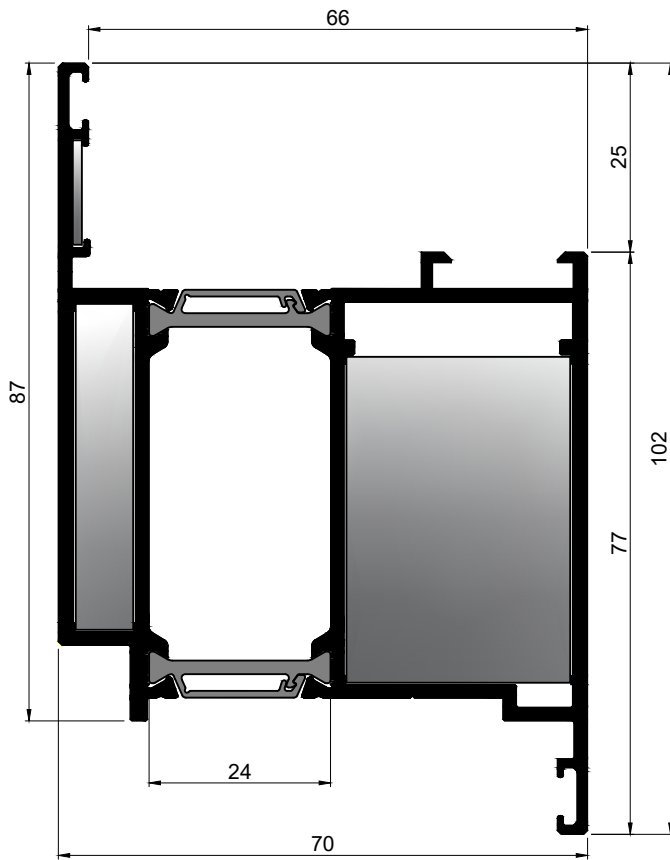
FRAME 05 1103	Weight gr/m	Ix / Iy cm4	Wx / Wy cm3
	1857	21.61 / 39.79	5.40 / 9.92
JOINTS	 WDS05100 WDS05101		
GASKETS	 US 11.5102 EPDM gasket for fixing the opening parts		


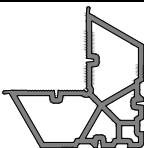



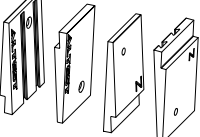
ALL OF THE PROFILE WEIGHTS ARE THEORETICAL.

M 1:1

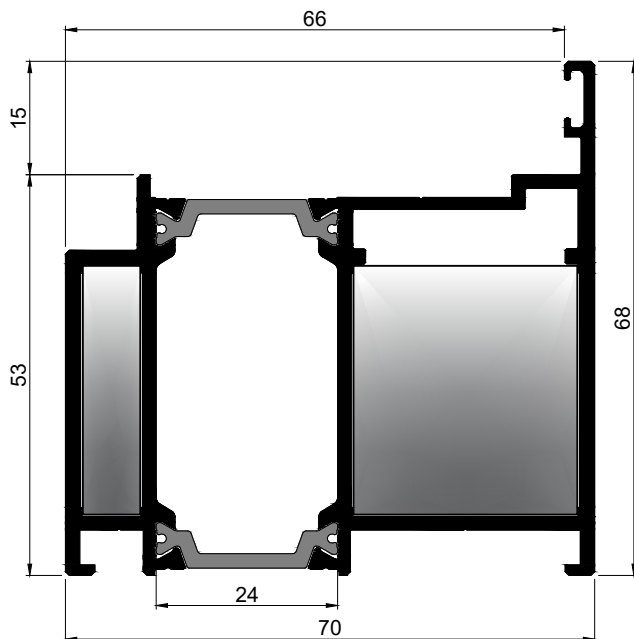
Series WDS 70

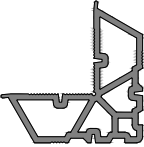

PROFILES



SASH 05 1203	Weight gr/m	Ix / Iy cm4	Wx / Wy cm3
	2170	41.60 / 51.17	7.66 / 13.79
JOINTS	 APE 7		WDS05800 WDS05810
GASKETS	 EPDM gasket for fixing the glass U2	 EPDM gasket for fixing the opening parts US 11.5102	 EPDM gasket for the fix parts US 0723
CAPS	WDS 1412 - Set plugs for single-sash flat door with brush seal		

NEW



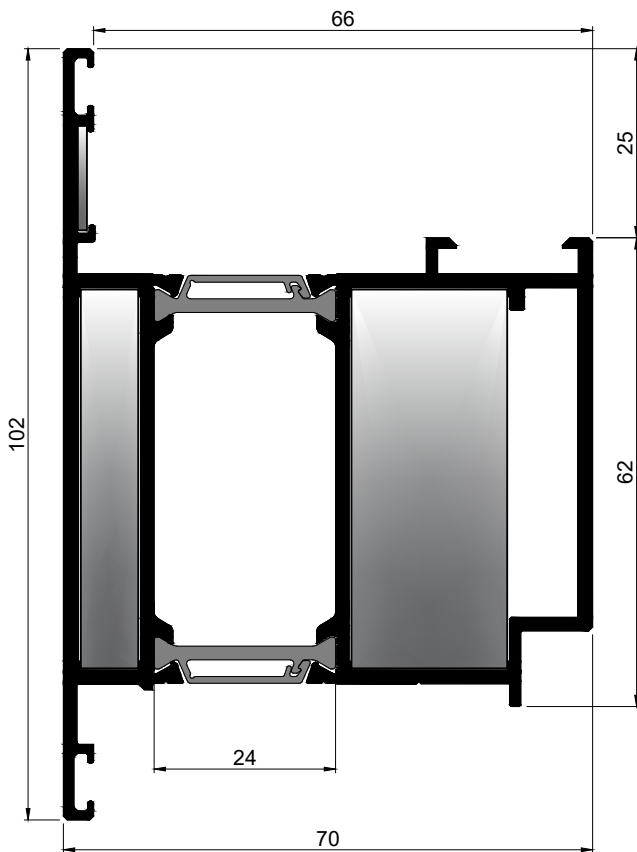
FRAME 05 1104	Weight gr/m	Ix / Iy cm4	Wx / Wy cm3
	1831	21.36 / 40.86	5.31 / 11.54
JOINTS			WDS05100 WDS05101
GASKETS	 EPDM gasket for fixing the opening parts US 11.5102		


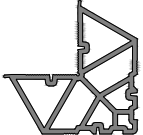




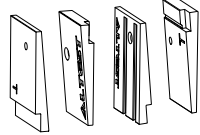
ALL OF THE PROFILE WEIGHTS ARE THEORETICAL.

M 1:1

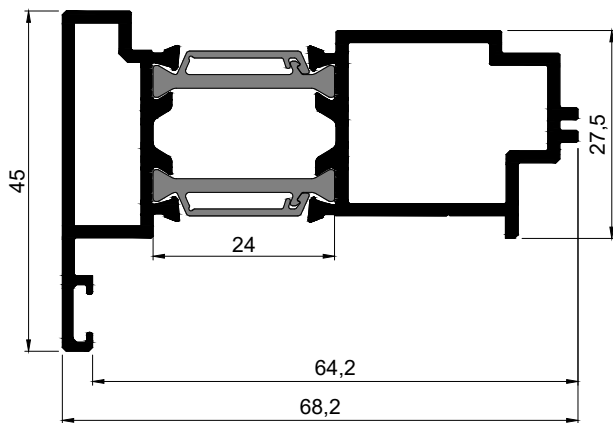
Series WDS 70


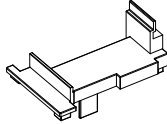
PROFILES

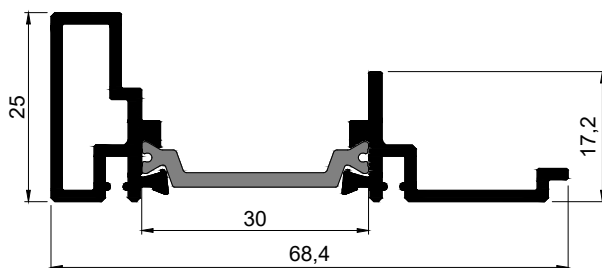


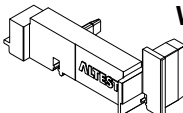

SASH 05 1204	Weight gr/m	Ix / Iy cm4	Wx / Wy cm3
	2164	41.11 / 48.62	7.61 / 11.83
JOINTS	 APE 7		WDS05900 WDS05910
GASKETS	 EPDM gasket for fixing the glass U2	 EPDM gasket for fixing the opening parts US 11.5102	
	 US 0724 EPDM gasket for the fix parts	 US 0723 EPDM gasket for the fix parts	
CAPS	WDS 14121 - Set plugs for single-sash flat door with brush seal		

NEW



OVERHUNG 05 1303	Weight gr/m	Ix / Iy cm4	Wx / Wy cm3
	1546	4.58 / 20.78	1.64 / 5.29
GASKETS	 US 11.5102	EPDM gasket for fixing the opening parts	
COVER CAPS		APE 317	

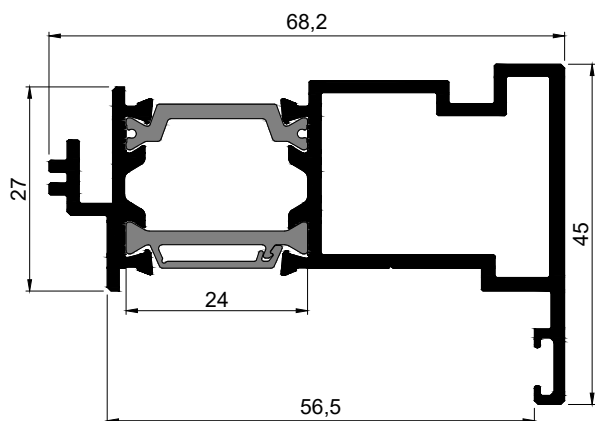



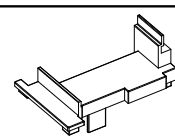
BRUSH SEAL 05 1400	Weight gr/m	Ix / Iy cm4	Wx / Wy cm3
	693	1.20 / 10.87	0.71 / 2.49
COVER CAPS		WDS 1400	BRUSHES TZ WDS 

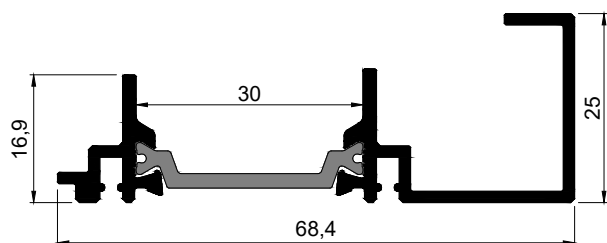
ALL OF THE PROFILE WEIGHTS ARE THEORETICAL.

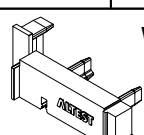

M 1:1

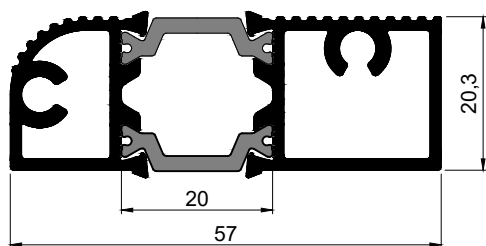
PROFILES

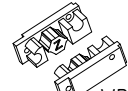
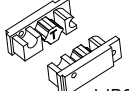


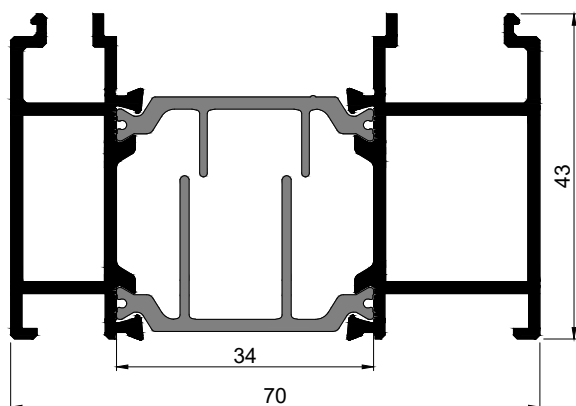
OVERHUNG 05 1304	Weight gr/m	Ix / Iy cm4	Wx / Wy cm3
	1238	4.64 / 20.90	1.68 / 5.24
COVER CAPS	 EPDM gasket for fixing the opening parts US 11.5102		
COVER CAPS	 APE 318		



BRUSH SEAL 05 1401	Weight gr/m	Ix / Iy cm4	Wx / Wy cm3
	667	1.04 / 11.75	0.60 / 3.08
COVER CAPS	 WDS 1401 BRUSHES TZ WDS 		



***** 05 1420	Weight gr/m	Ix / Iy cm4	Wx / Wy cm3
	972	1.59 / 11.11	1.42 / 3.83
COVER CAPS	WDS 1420 (with sash 051203) WDS 1421 (with sash 051204)  WDS 1420  WDS 1421 NEW		



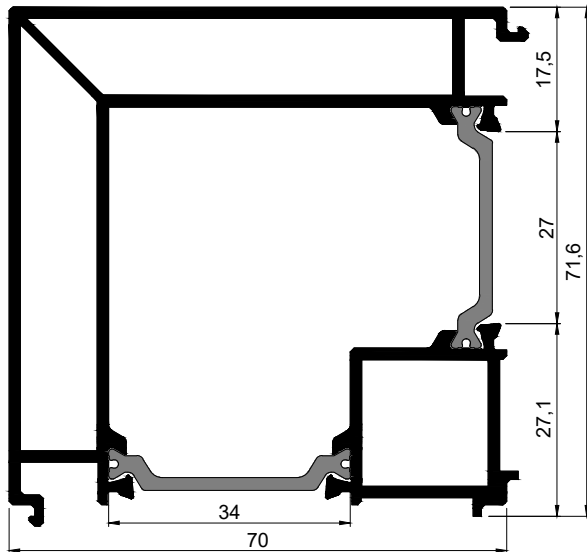
***** 05 0600	Weight gr/m	Ix / Iy cm4	Wx / Wy cm3
	1452	7.27 / 29.50	3.22 / 8.26

ALL OF THE PROFILE WEIGHTS ARE THEORETICAL.

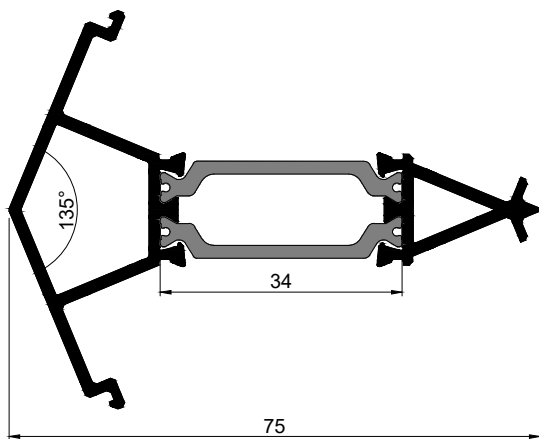
M 1:1

Series WDS 70

PROFILES

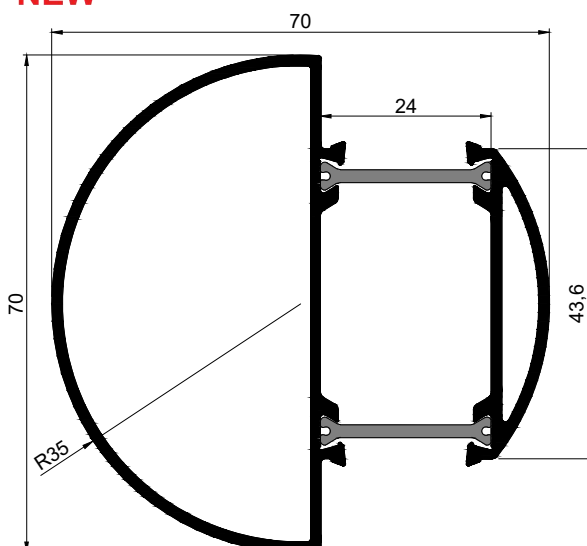


***** 05 0604	Weight gr/m	I _x / I _y cm ⁴	W _x / W _y cm ³
	1976	43.03 / 43.03	10.73 / 10.73



***** 05 0605	Weight gr/m	I _x / I _y cm ⁴	W _x / W _y cm ³
	1027	4.05 / 18.15	1.45 / 4.02

NEW *

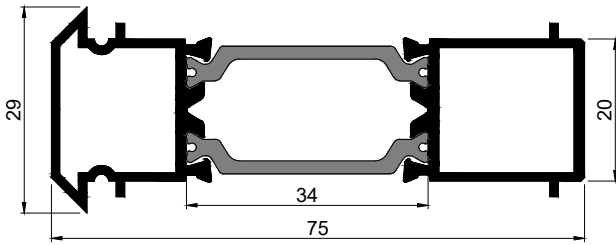


530 0325 Pipe	Weight (gr/m)	I _x / I _y (cm ⁴)	W _x / W _y (cm ³)
	1327	18,14 / 22,37	5,18 / 5,89

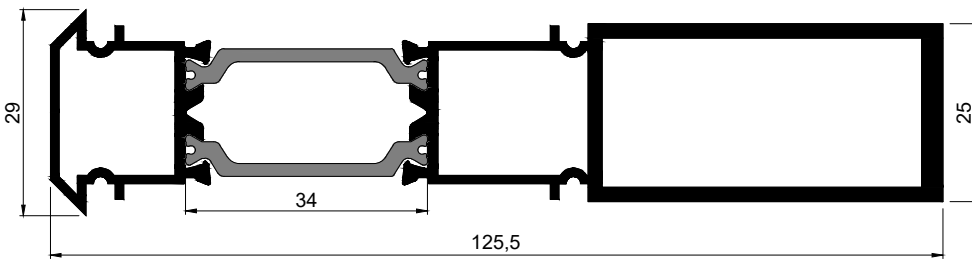
ALL OF THE PROFILE WEIGHTS ARE THEORETICAL.

M 1:1

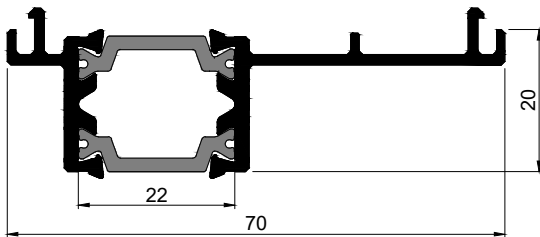
PROFILES



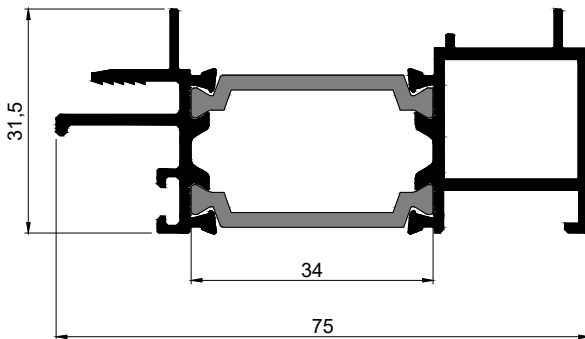
**** 05 0602	Weight gr/m	Ix / Iy cm4	Wx / Wy cm3
	949	1.78 / 19.53	1.23 / 5.06



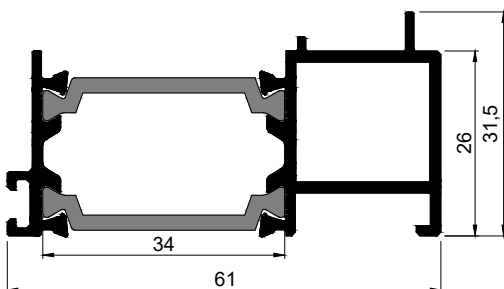
**** 05 0603	Weight gr/m	Ix / Iy cm4	Wx / Wy cm3
	1609		
		4.77 / 93.05	3.29 / 13.25



**** 05 0700	Weight gr/m	Ix / Iy cm4	Wx / Wy cm3
	755	0.87 / 9.71	0.64 / 2.4



**** 05 0804	Weight gr/m	Ix / Iy cm4	Wx / Wy cm3
	1060	2.33 / 19.04	1.37 / 4.52



**** 05 0805	Weight gr/m	Ix / Iy cm4	Wx / Wy cm3
	900	2.05 / 12.11	1.13 / 3.49

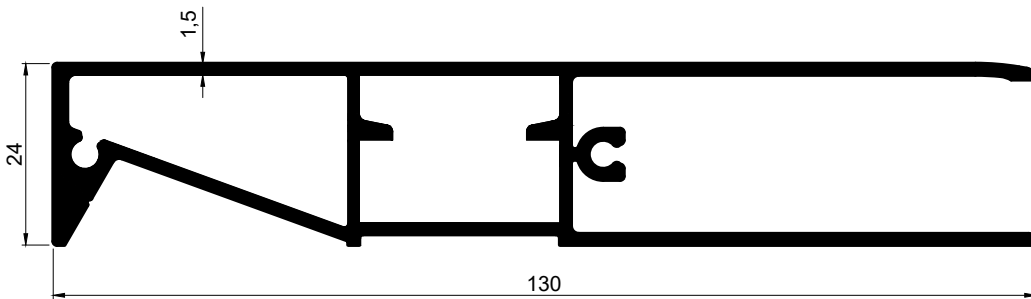
ALL OF THE PROFILE WEIGHTS ARE THEORETICAL.



M 1:1

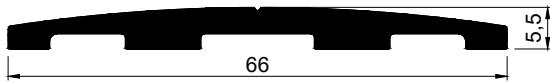
Series WDS 70

PROFILES

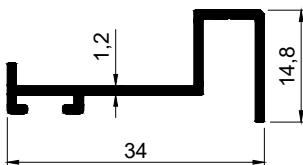
NEW


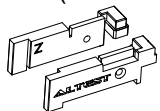
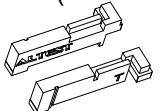


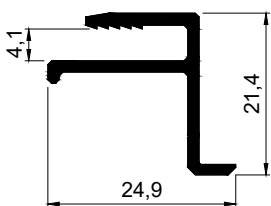
***** 05 0850	Weight gr/m 1647
JOINTS	ST 4.2x50mm 
APE 4 or LS070400 	



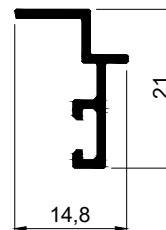
***** 05 1410	Weight gr/m 646
-------------------------	-------------------------------



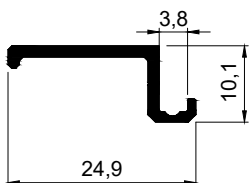
***** 05 1411	Weight gr/m 222	BRUSHES  TZ6; TZ12; TZ18
COVER CAPS NEW	WDS 1411 (with sash 051203) 	WDS 1411-1 (with sash 051204) 



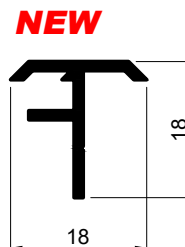
***** 05 0800	Weight gr/m 246
-------------------------	-------------------------------



***** 05 0802	Weight gr/m 136
-------------------------	-------------------------------

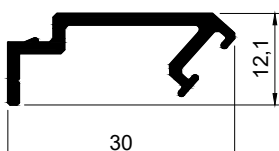


***** 05 0803	Weight gr/m 141
-------------------------	-------------------------------



***** 05 0900	Weight gr/m 135
-------------------------	-------------------------------

NEW

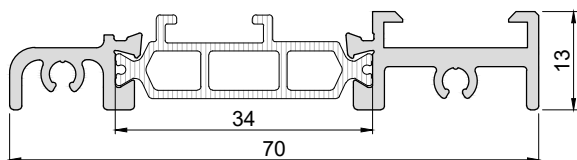


***** 05 0810	Weight gr/m 218
-------------------------	-------------------------------

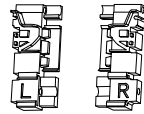
ALL OF THE PROFILE WEIGHTS ARE THEORETICAL.

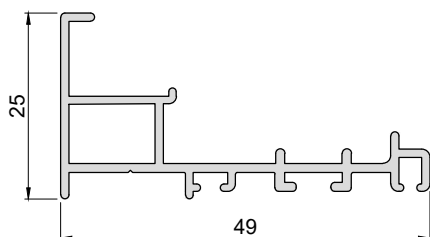
M 1:1

PROFILES

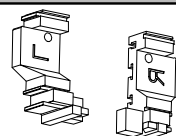


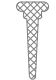


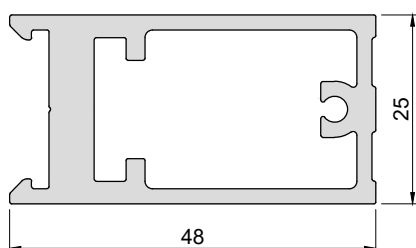
NEW*

05 1430 Low threshold balcony door with a tilt and turn sash	Weight gr/m
	610
 Set left + right : WDS 0502	



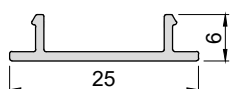
NEW*

05 1405 Low threshold adapter for window sash	Weight gr/m
	395
COVER CAPS	 Set left + right : WDS 0502
BRUSHES	 TZ WDS  TZ12; TZ18
SEAL EPDM	 UWDS 130412



NEW*

05 0750 reinforcement profile	Weight gr/m	Ix / Iy cm4
	1145	12.5 / 35.7

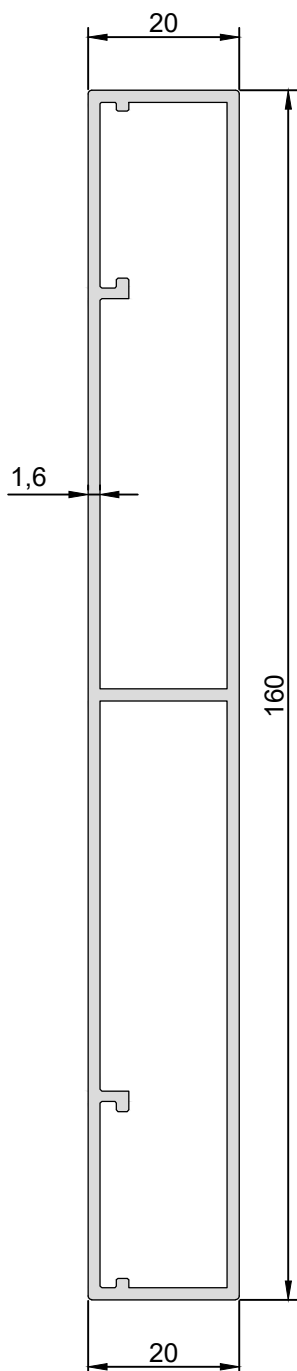


NEW*

05 0760 cover cap for 05 0750	Weight gr/m
	113

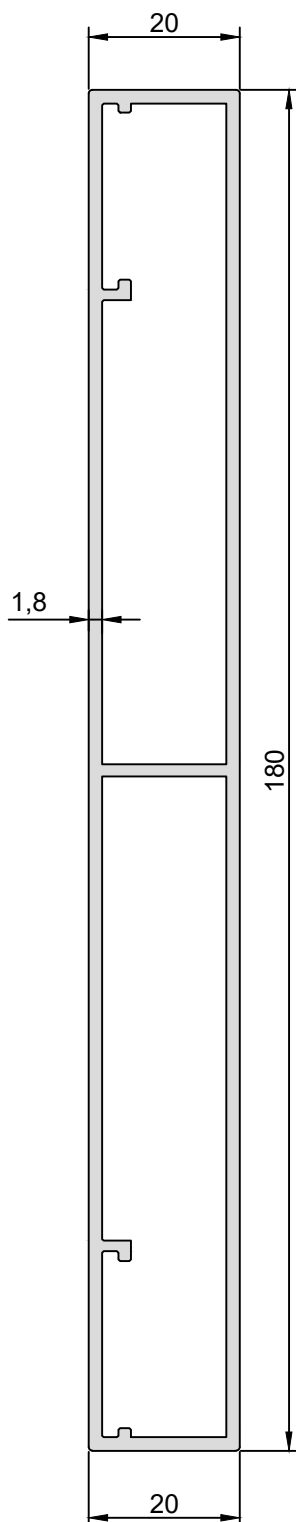
Series WDS 70

PROFILES



NEW*

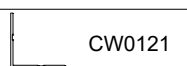
0127	Weight
Tube 20 x 160	gr/m
	1657



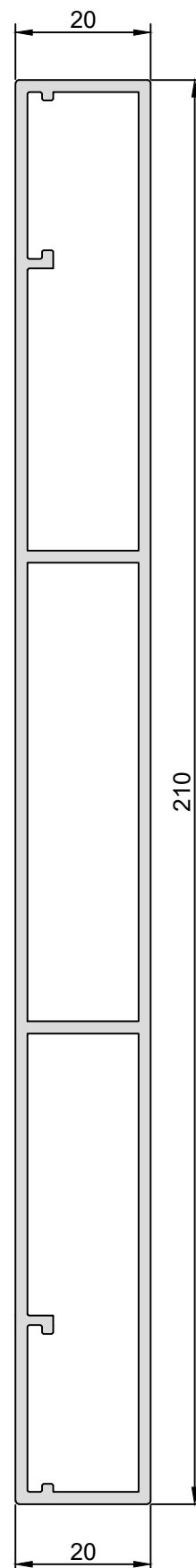
NEW*

0128	Weight
Tube 20 x 180	gr/m
	2038

JOINTS



CW0121



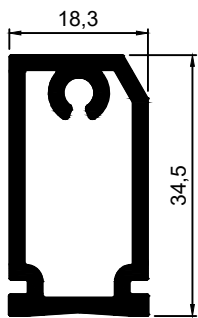
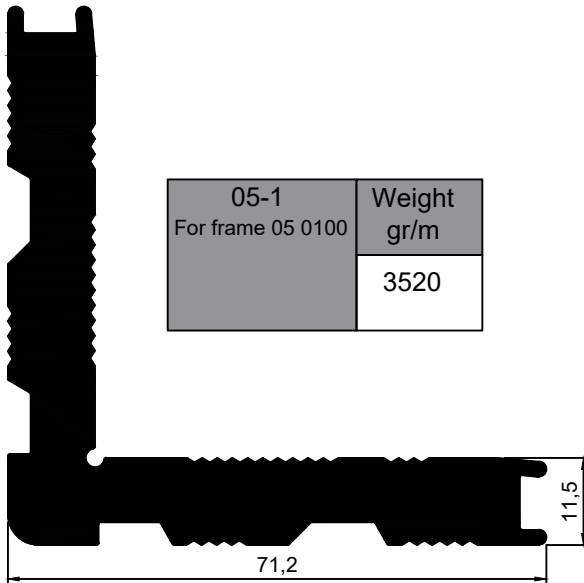
NEW*

0130	Weight
Tube 20 x 210	gr/m
	2419

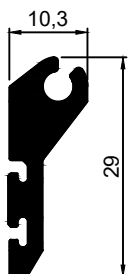
ALL OF THE PROFILE WEIGHTS ARE THEORETICAL.

M 1:1

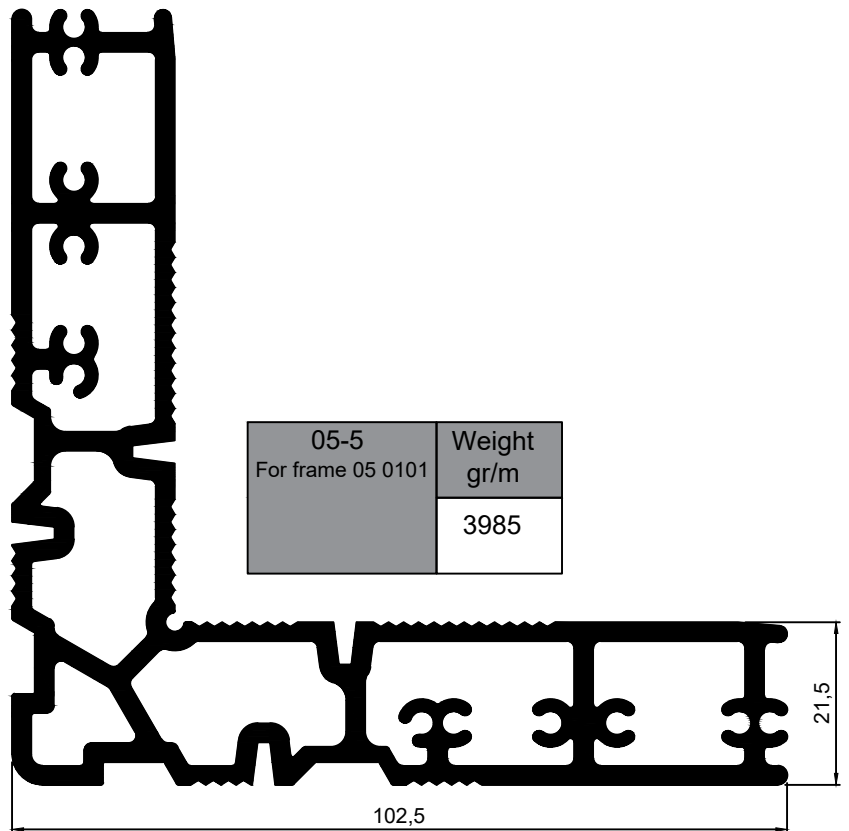
PROFILES



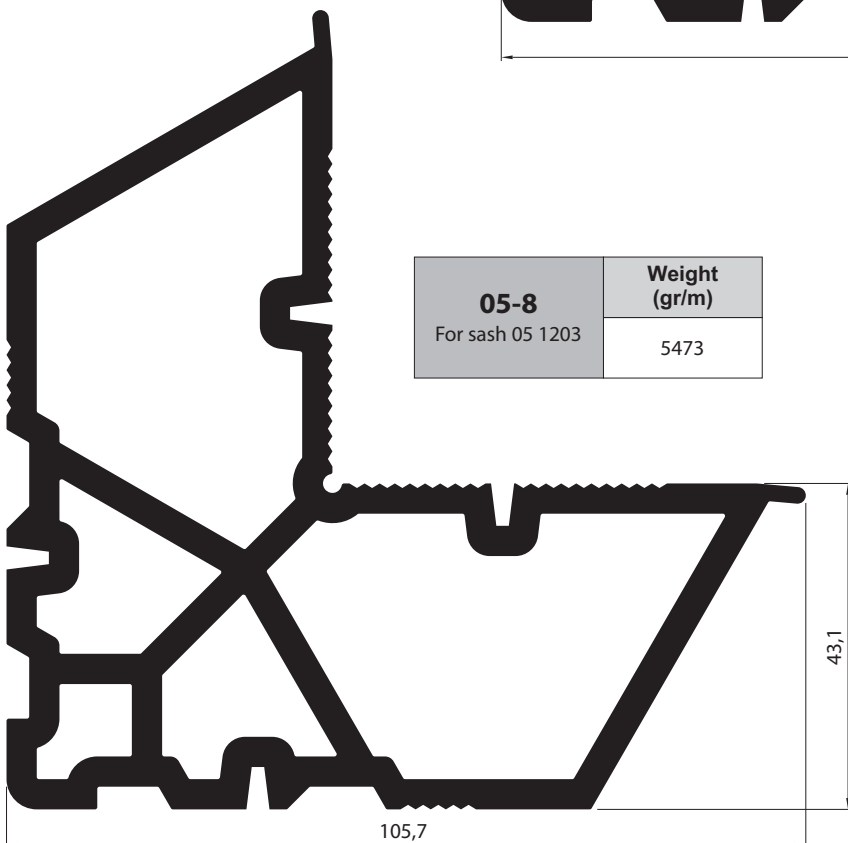
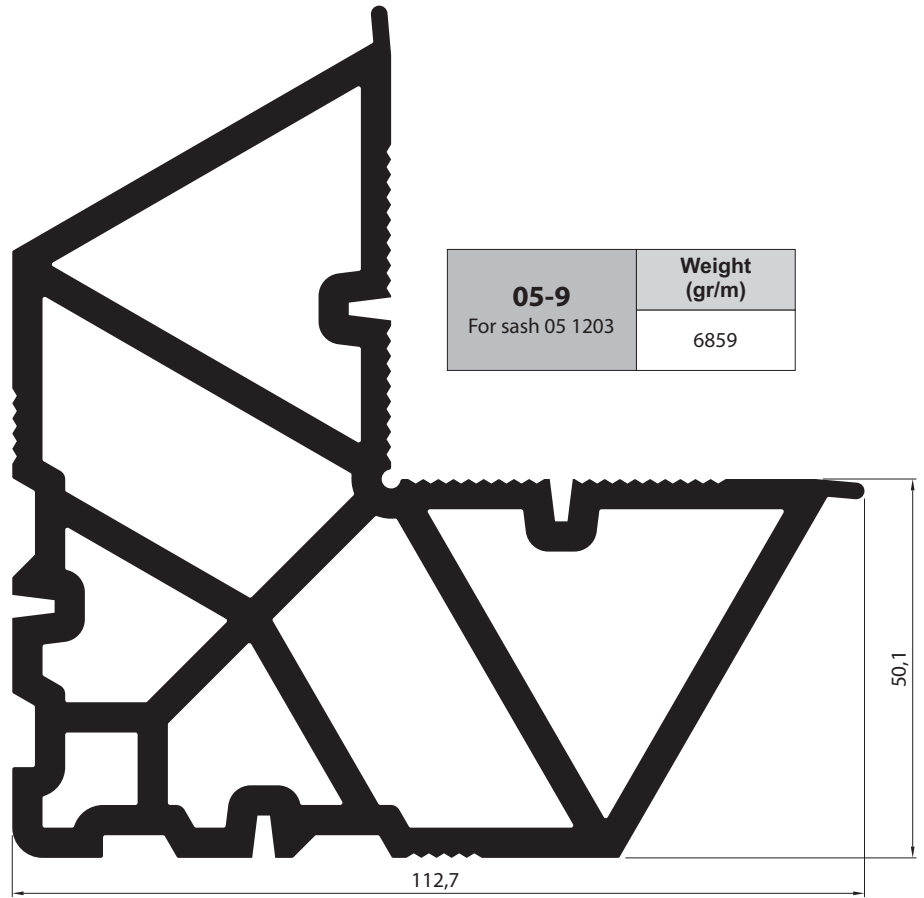
05-3 For "T" profiles: 05 0301 05 0302 05 0303	Weight gr/m
	634



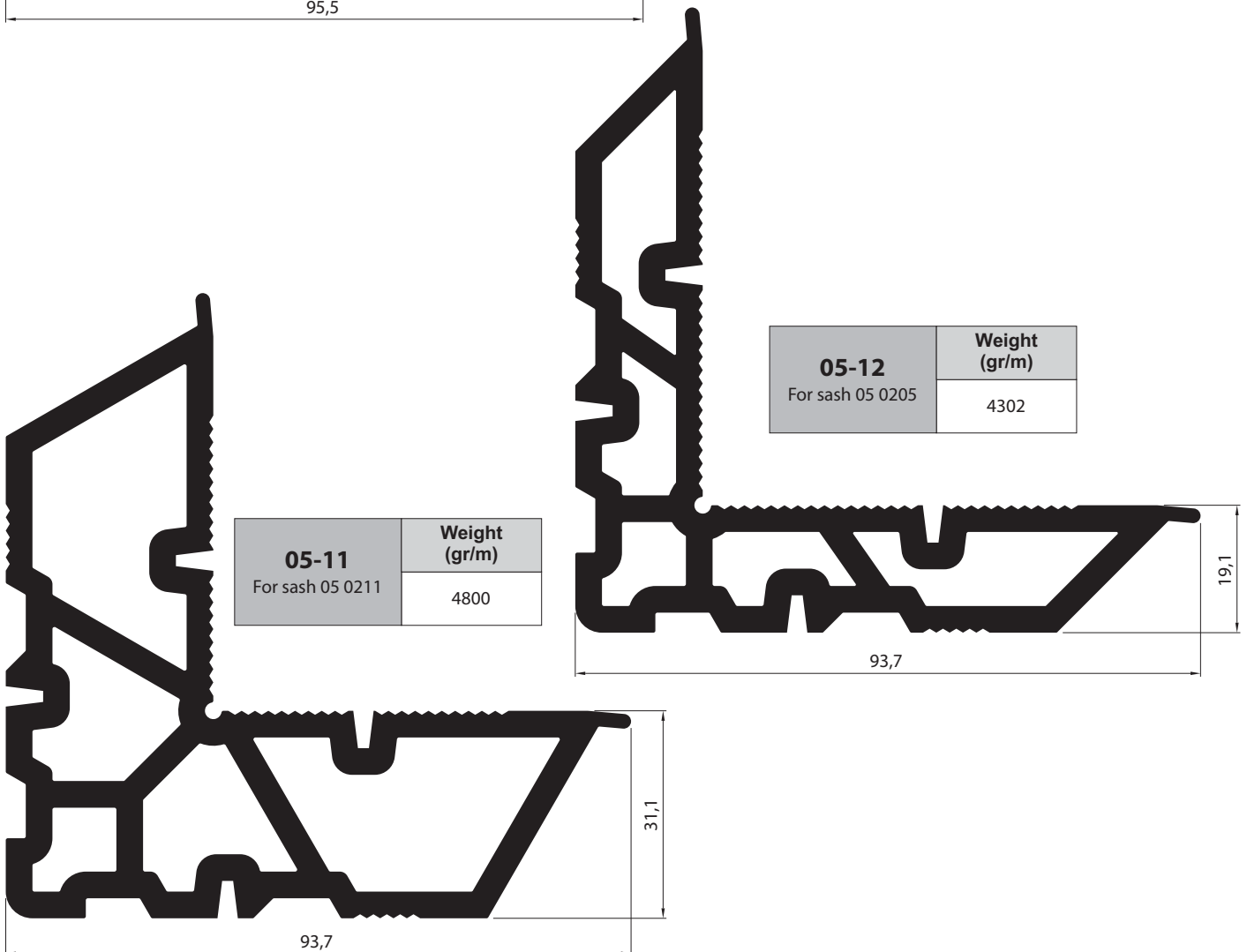
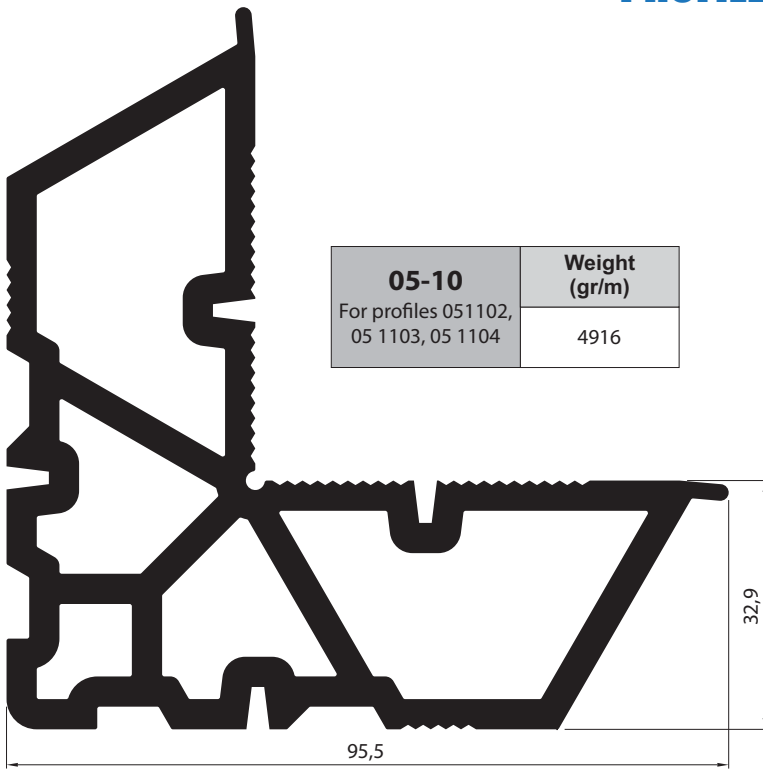
05-4 For "T" profiles: 05 0301,05 0302 05 0303,05 0309	Weight gr/m
	379



PROFILES



PROFILES



WINDOWS

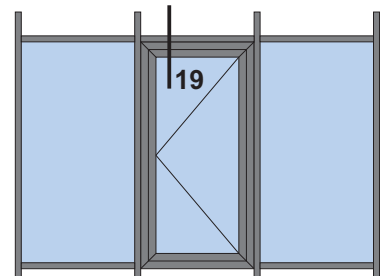
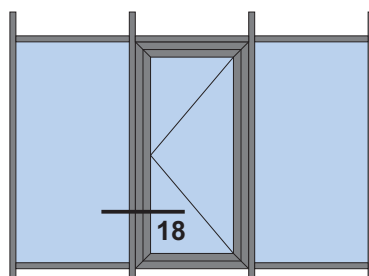
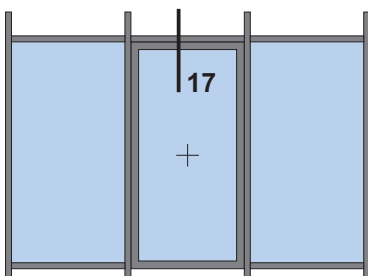
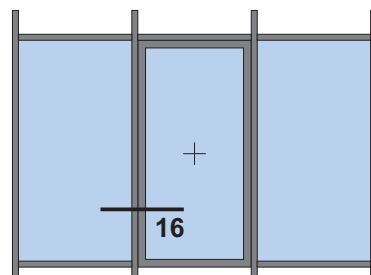
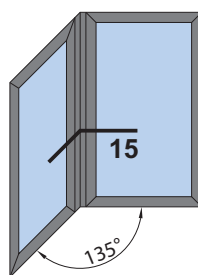
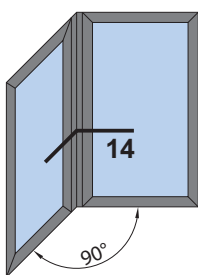
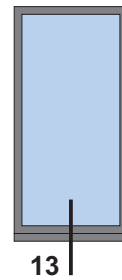
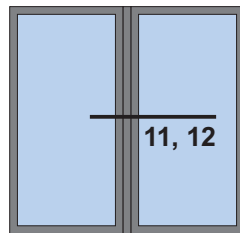
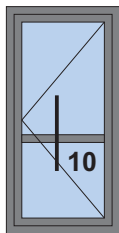
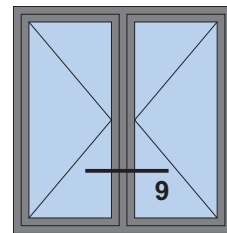
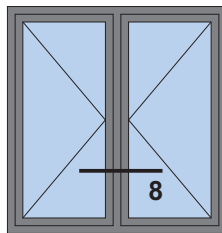
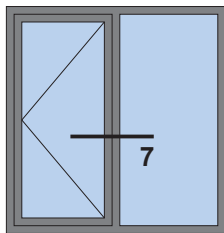
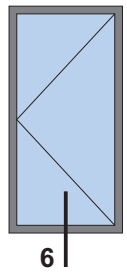
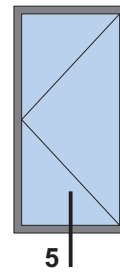
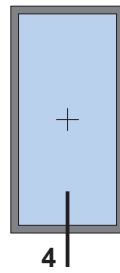
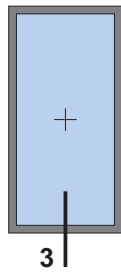
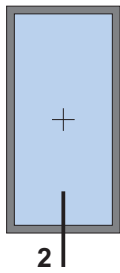
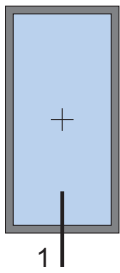
ASPECT SECTIONS

WINDOWS SECTIONS

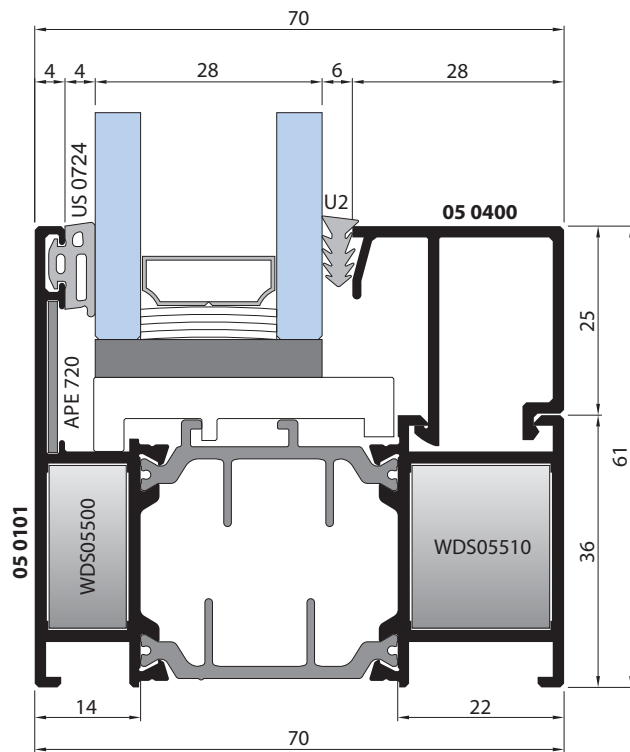
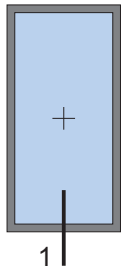
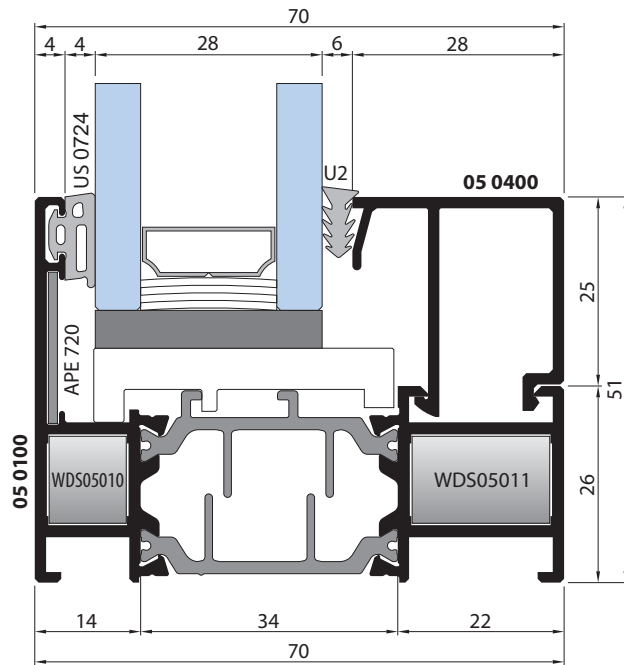
SECTIONS WITH BOND DETAILS

GLAZING OPTIONS

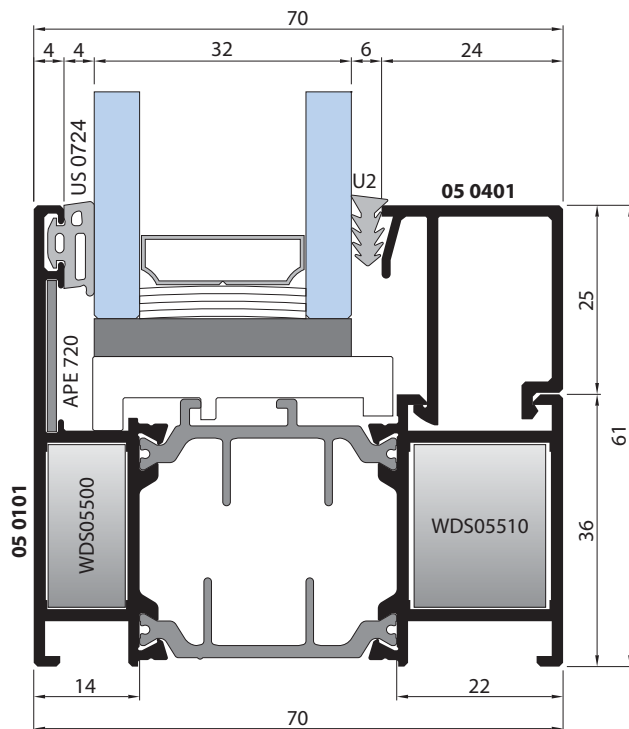
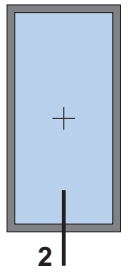
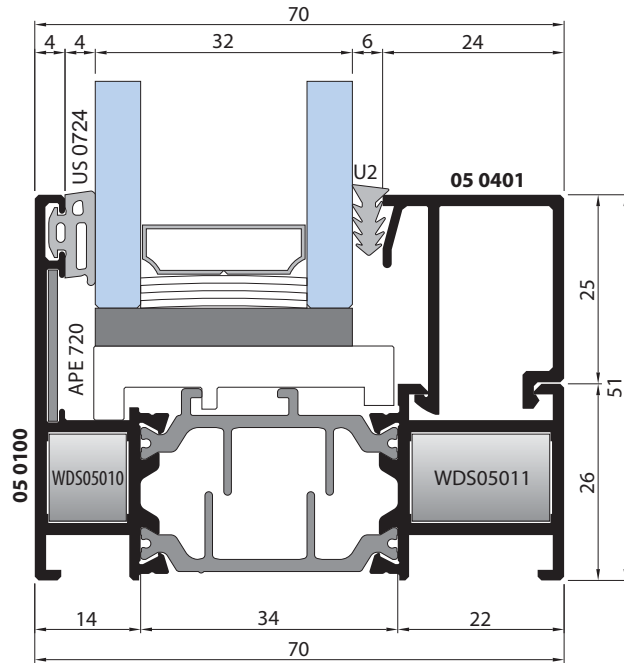
ASPECT SECTIONS



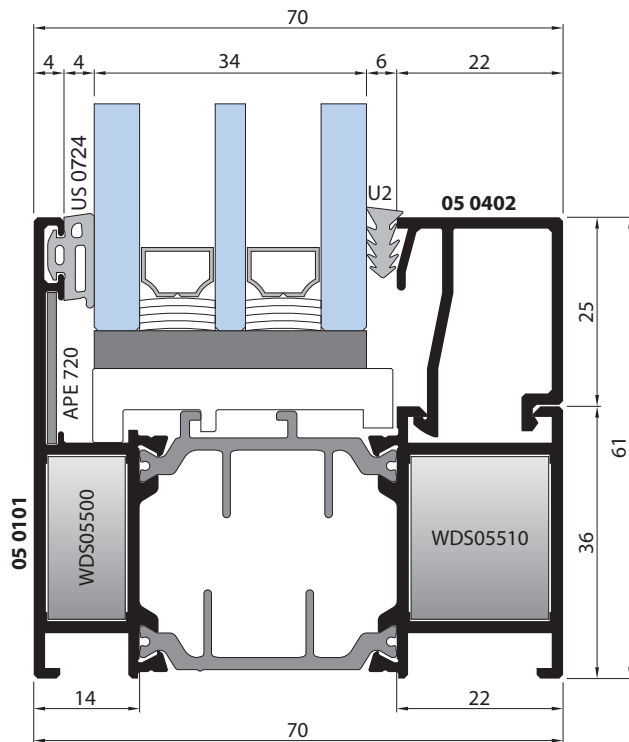
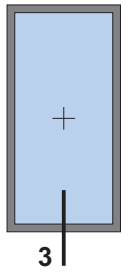
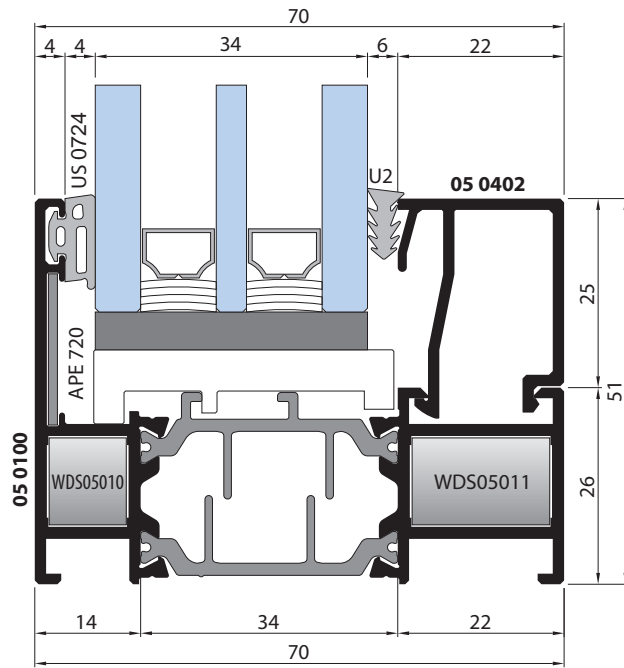
WINDOWS SECTIONS



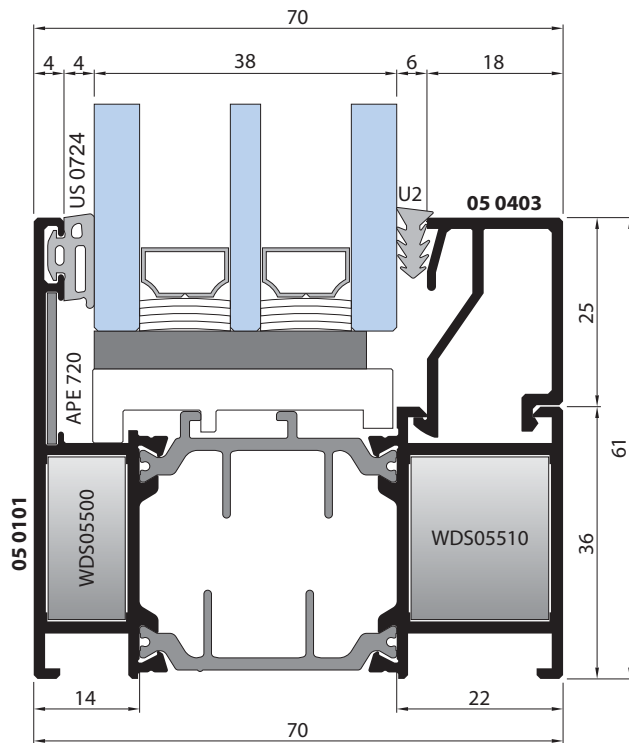
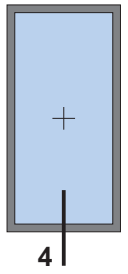
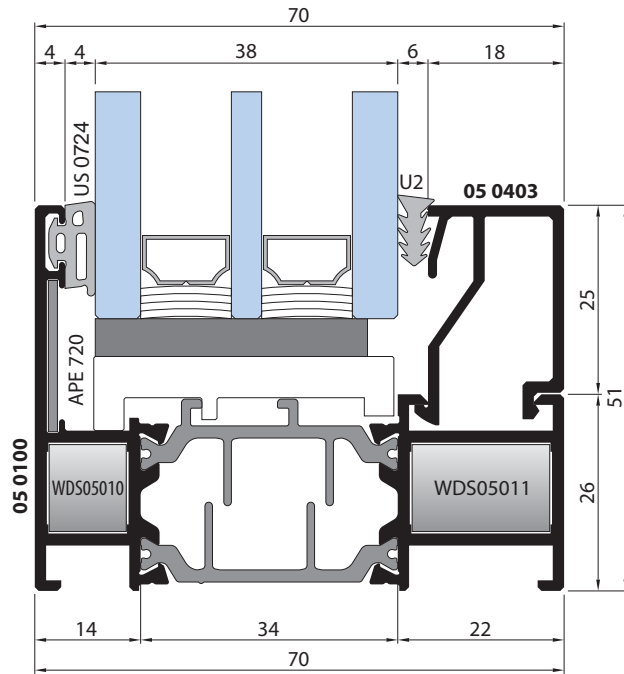
WINDOWS SECTIONS



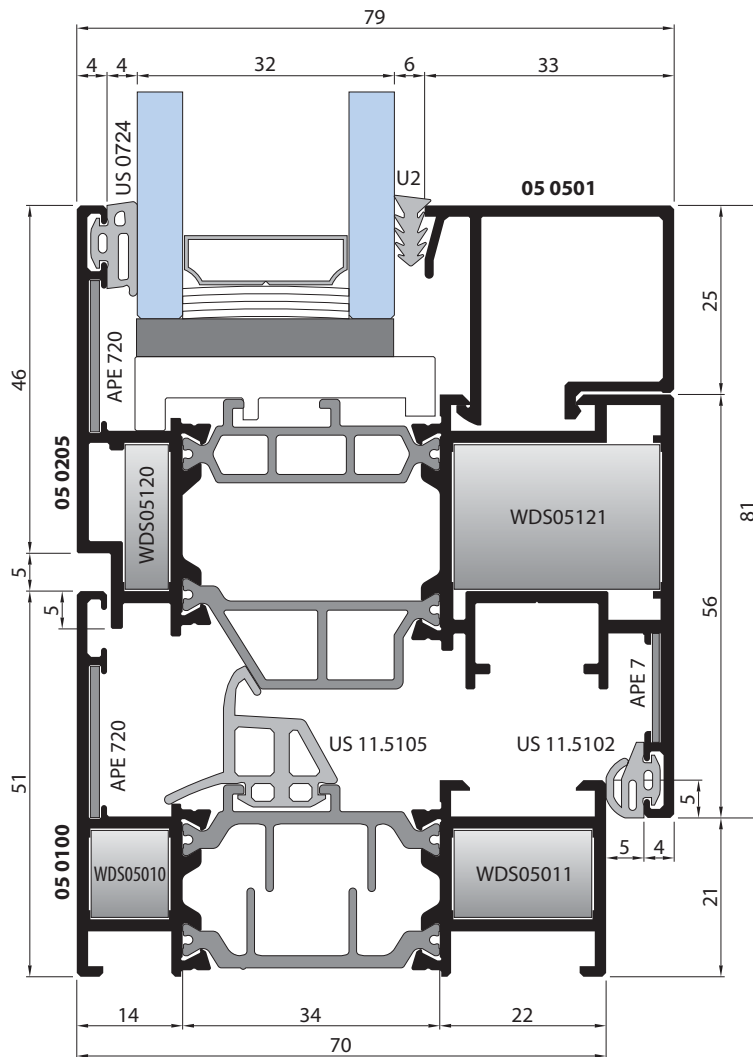
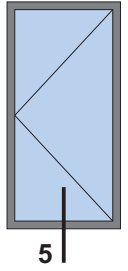
WINDOWS SECTIONS



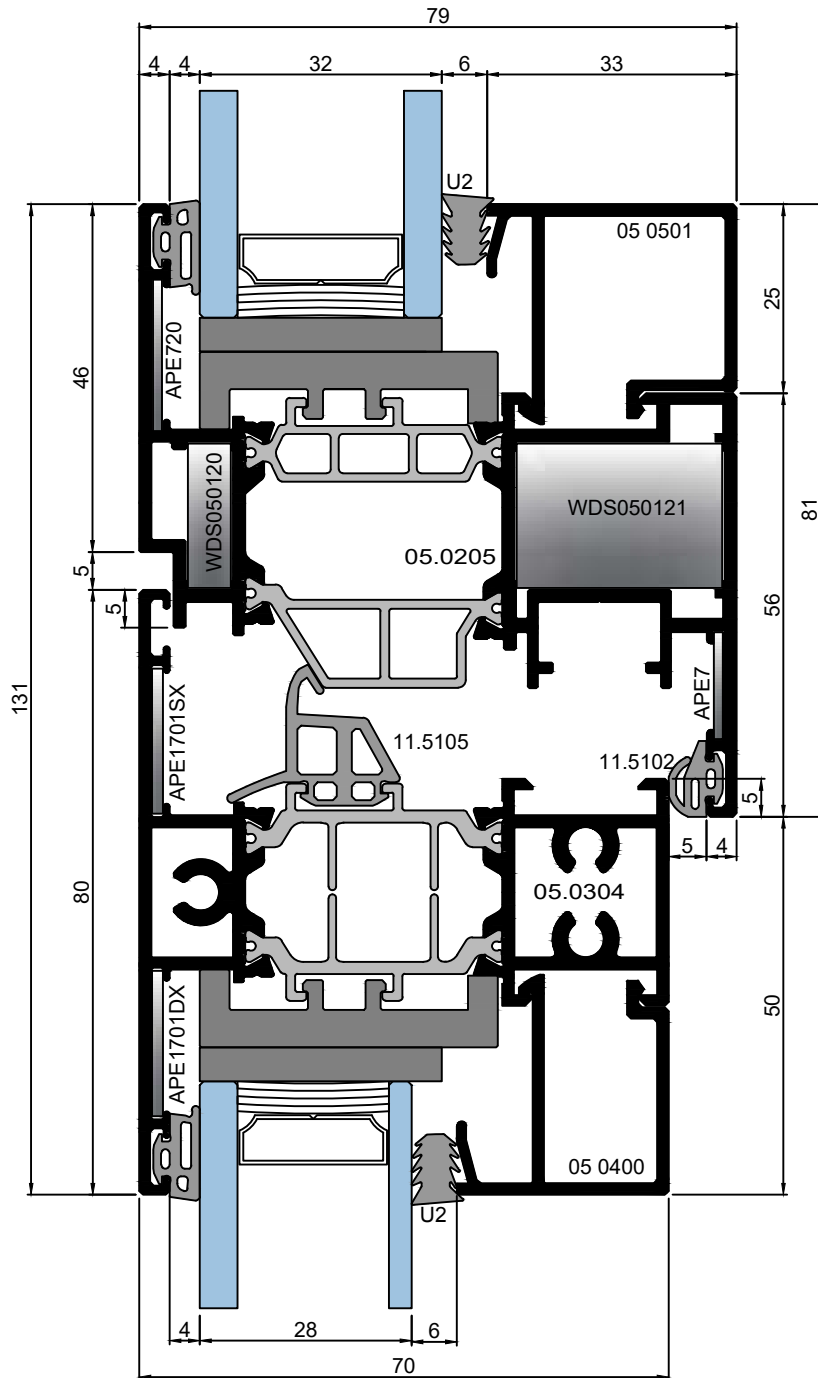
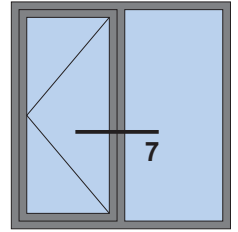
WINDOWS SECTIONS



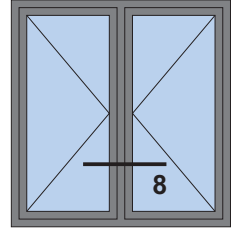
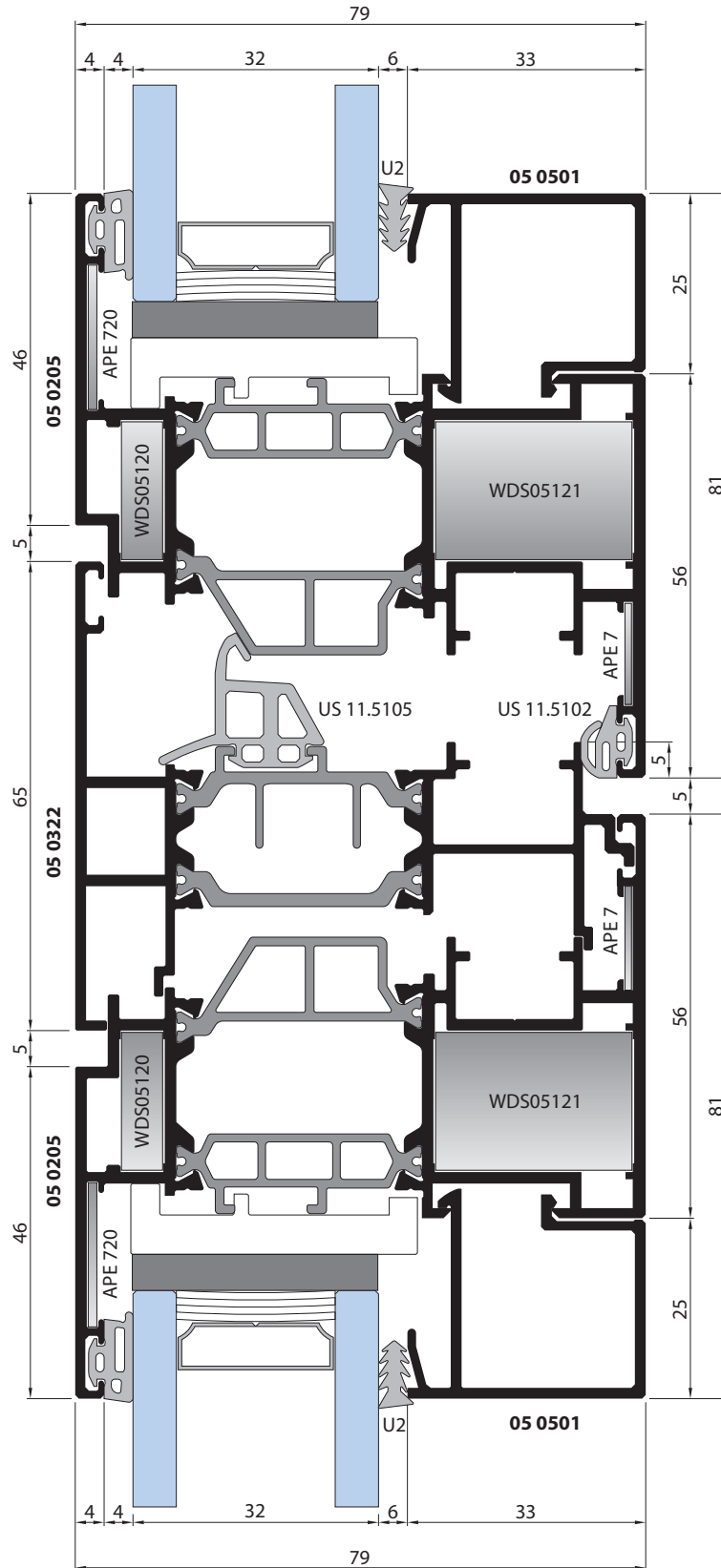
WINDOWS SECTIONS



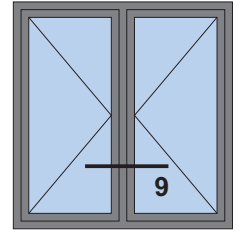
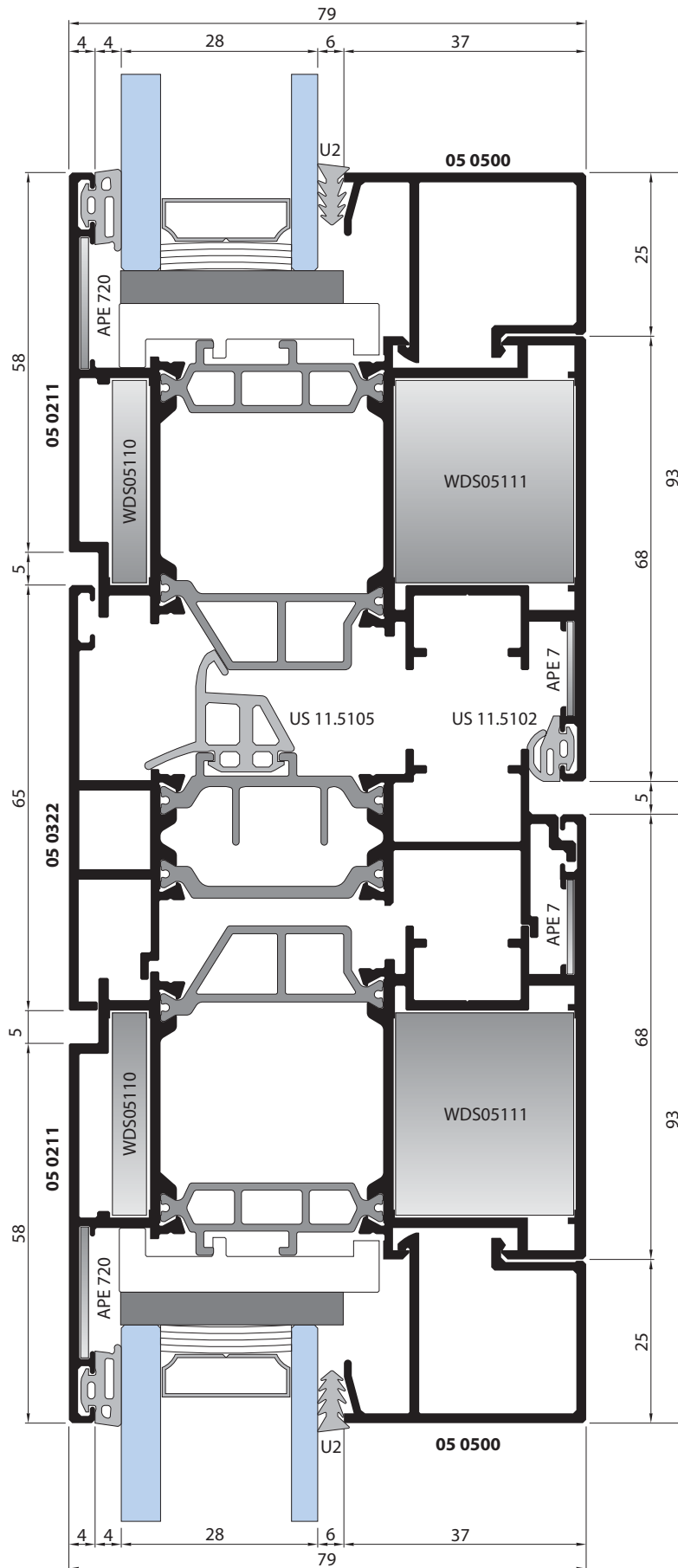
WINDOWS SECTIONS



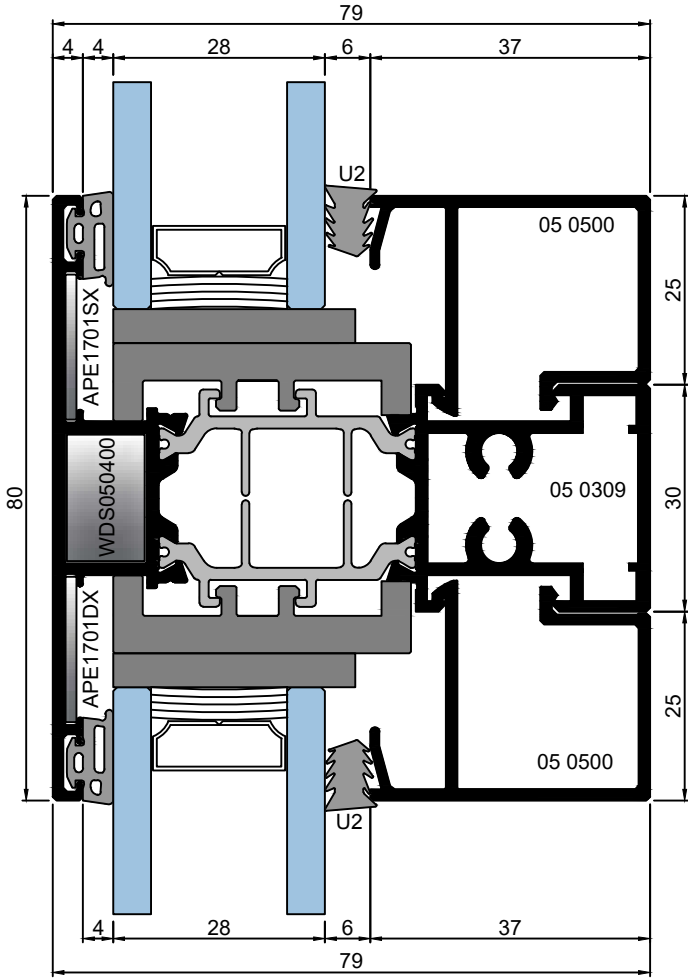
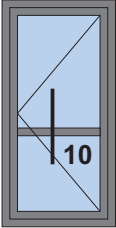
WINDOWS SECTIONS



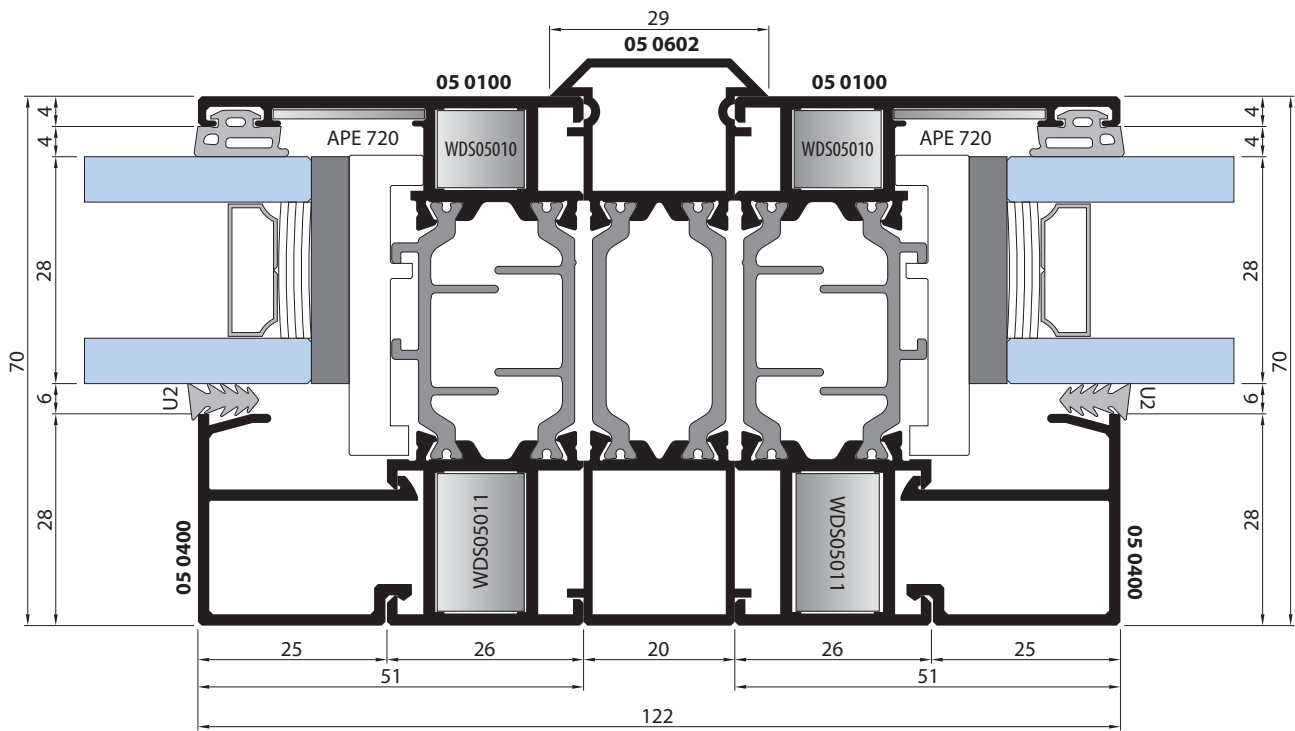
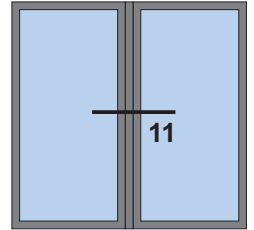
WINDOWS SECTIONS



WINDOWS SECTIONS

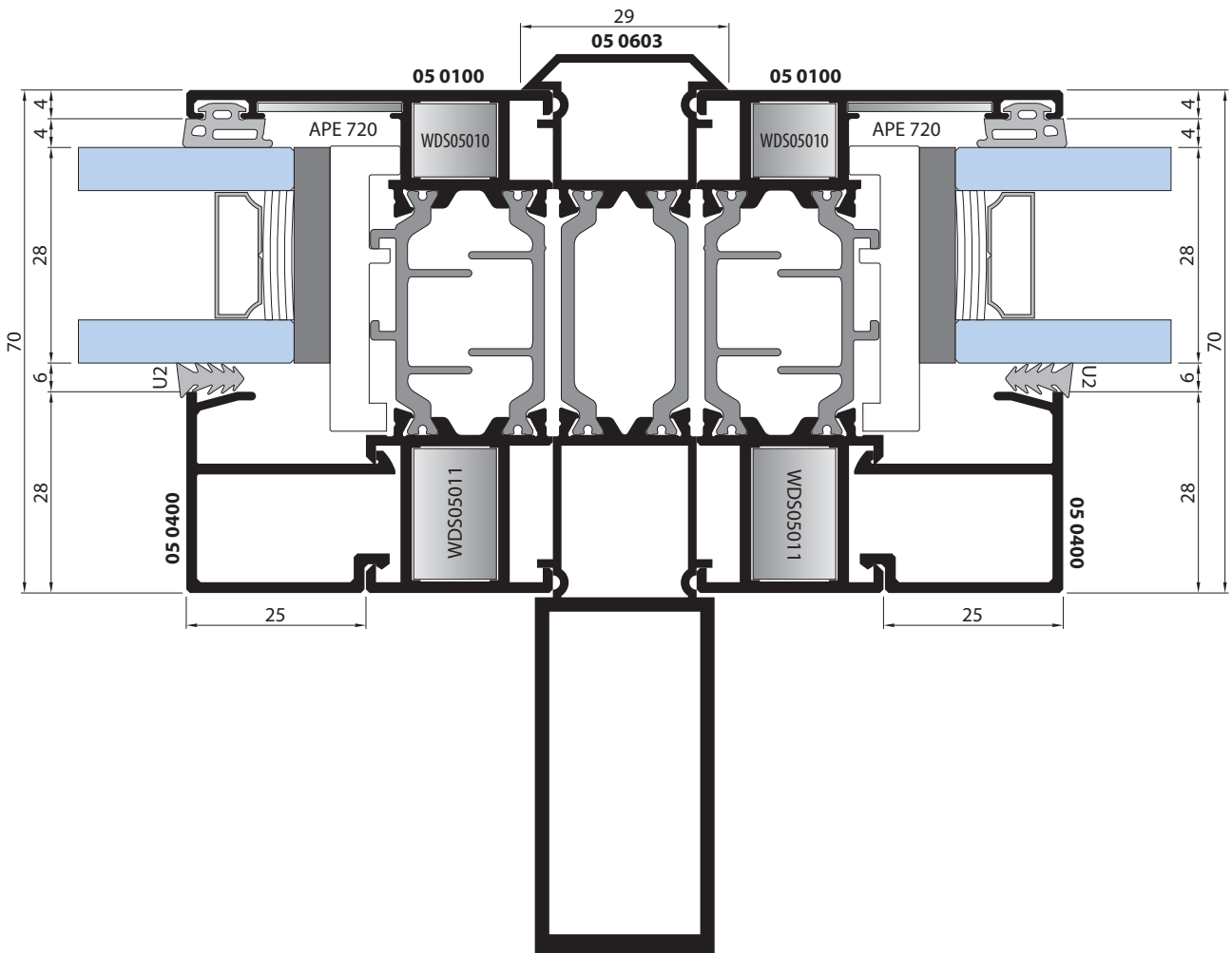
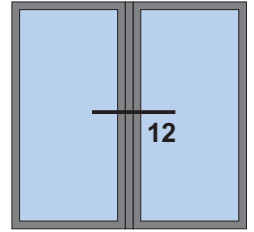


WINDOWS SECTIONS

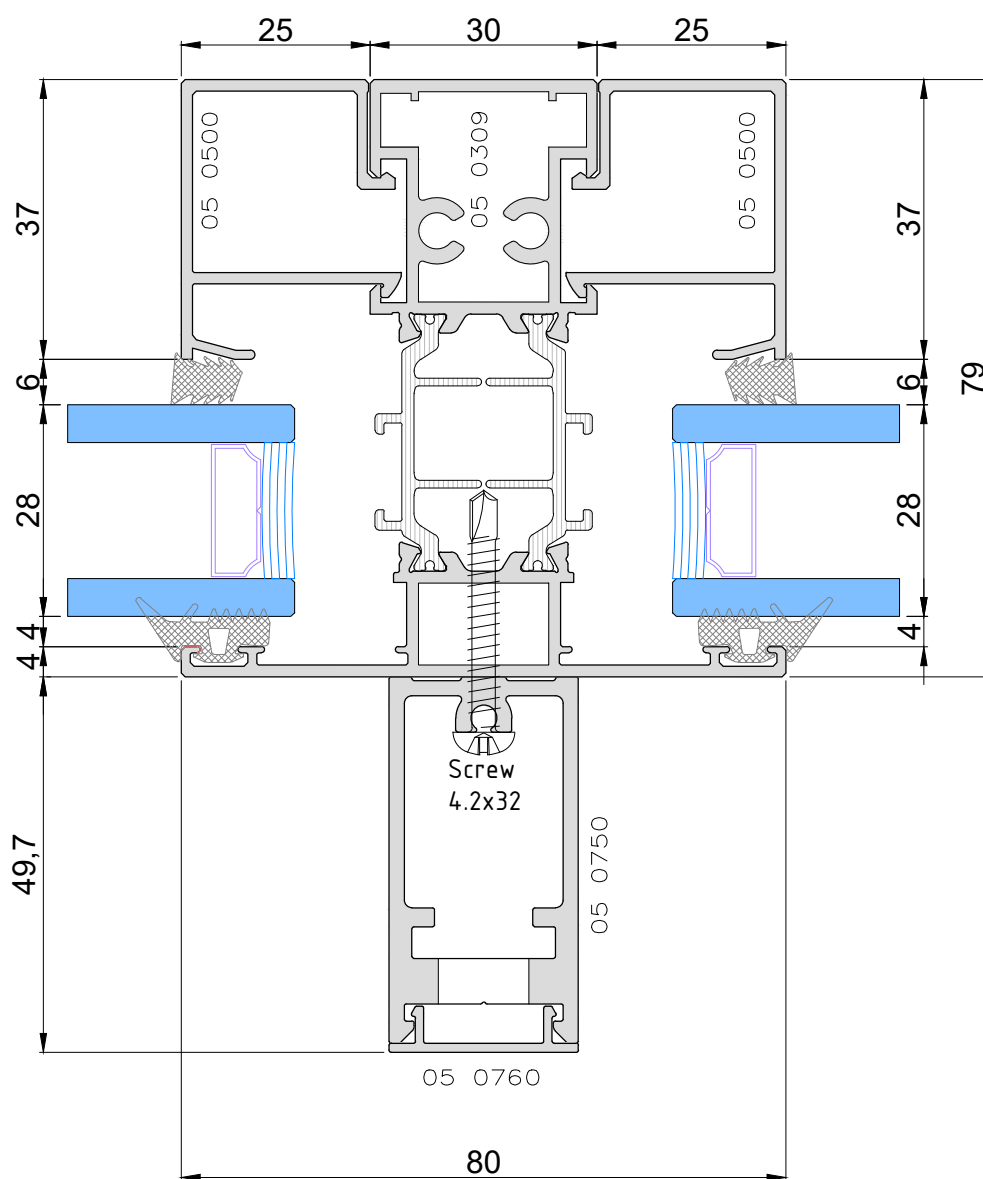
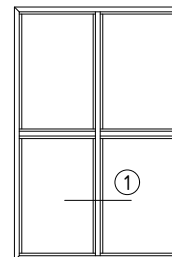


Series WDS 70

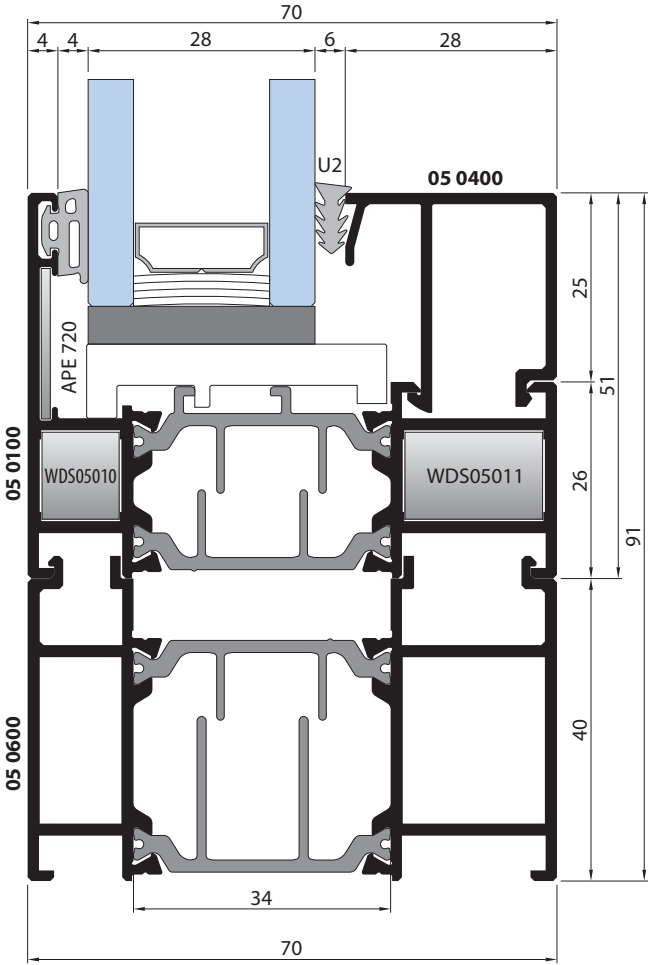
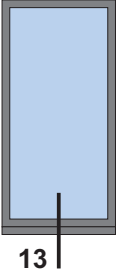
WINDOWS SECTIONS



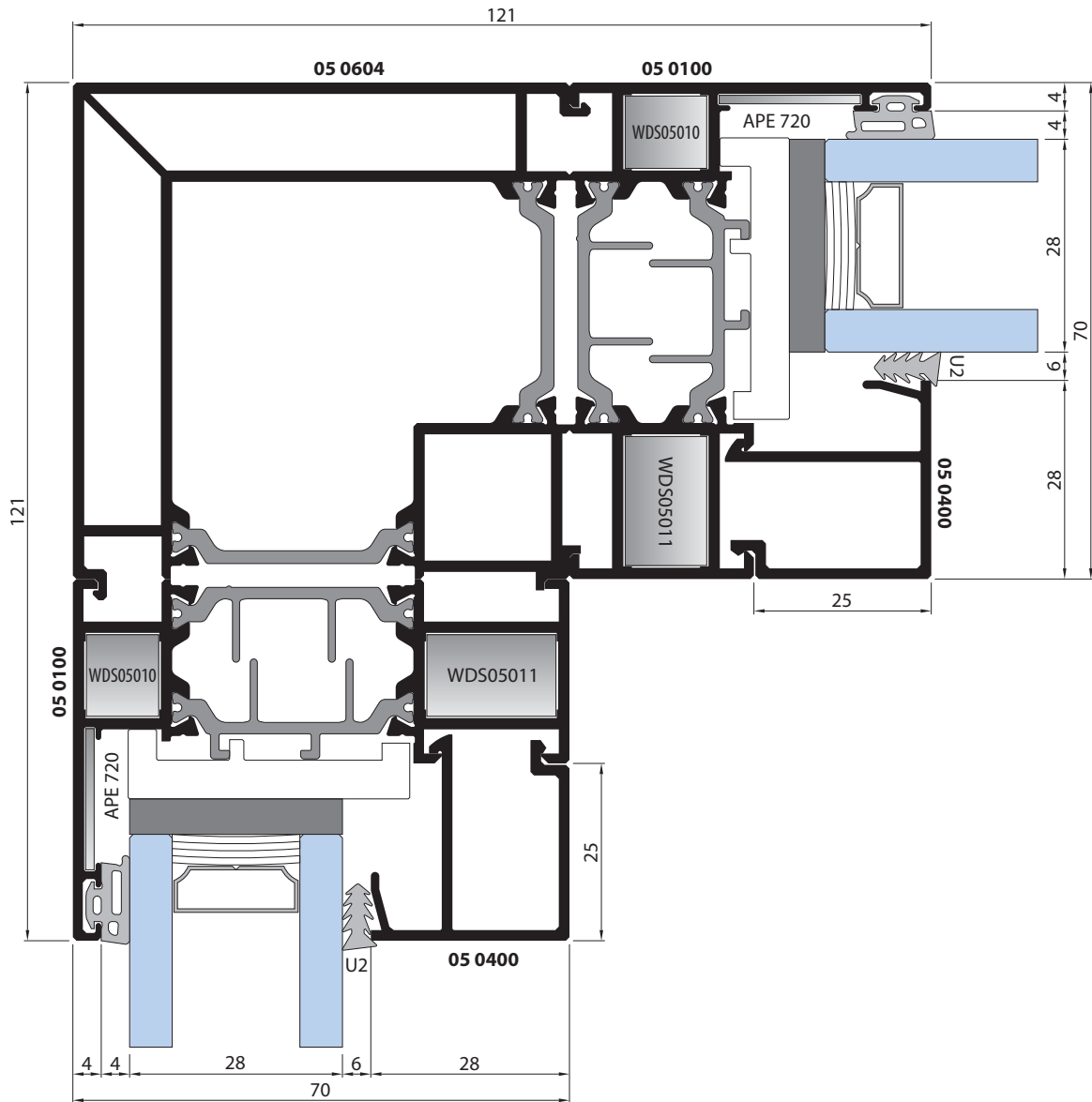
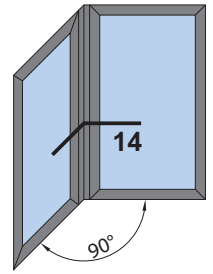
WINDOWS SECTIONS



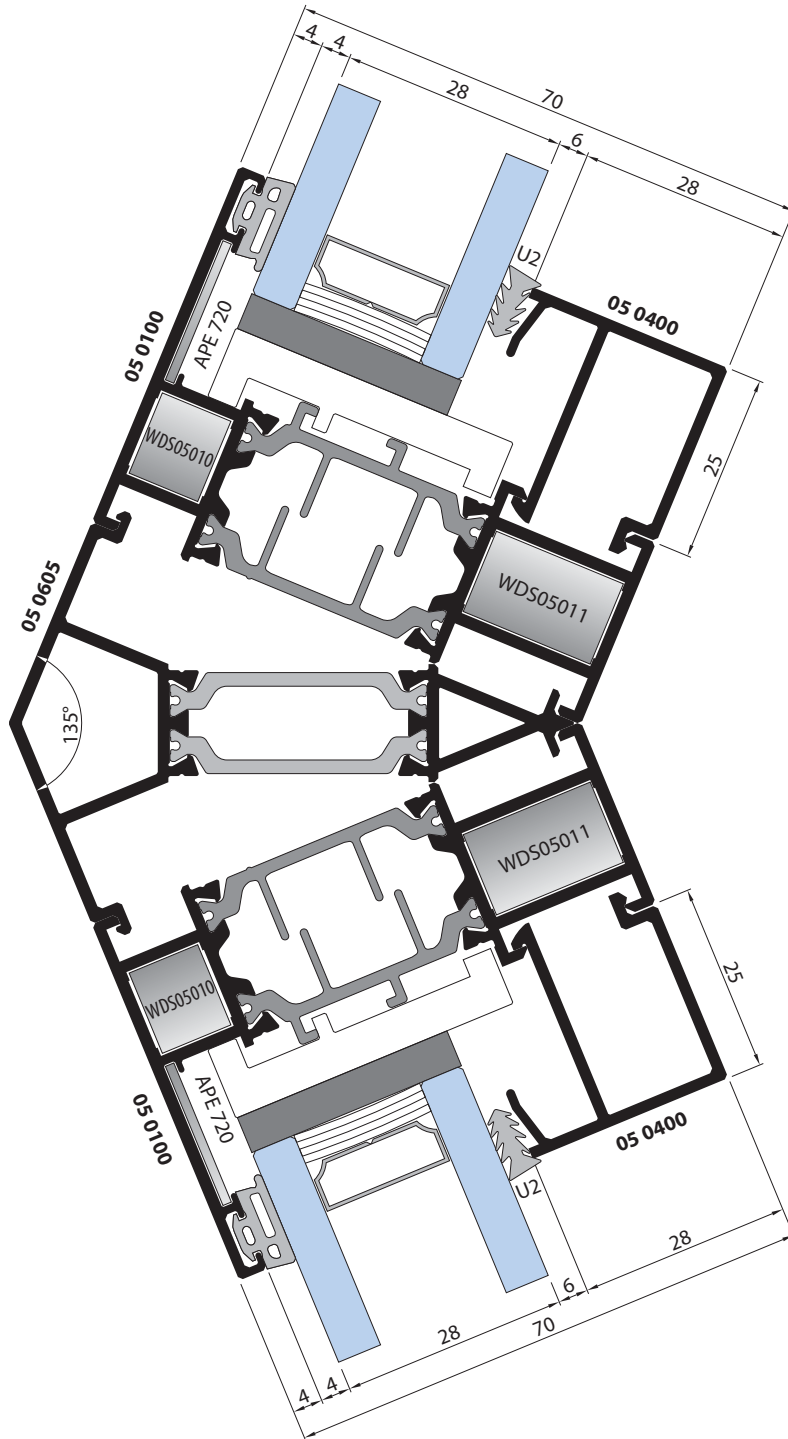
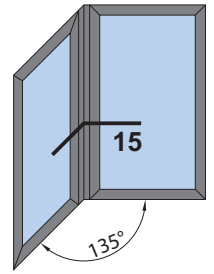
WINDOWS SECTIONS



WINDOWS SECTIONS

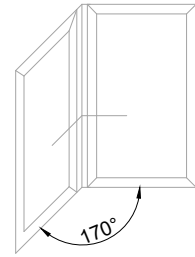
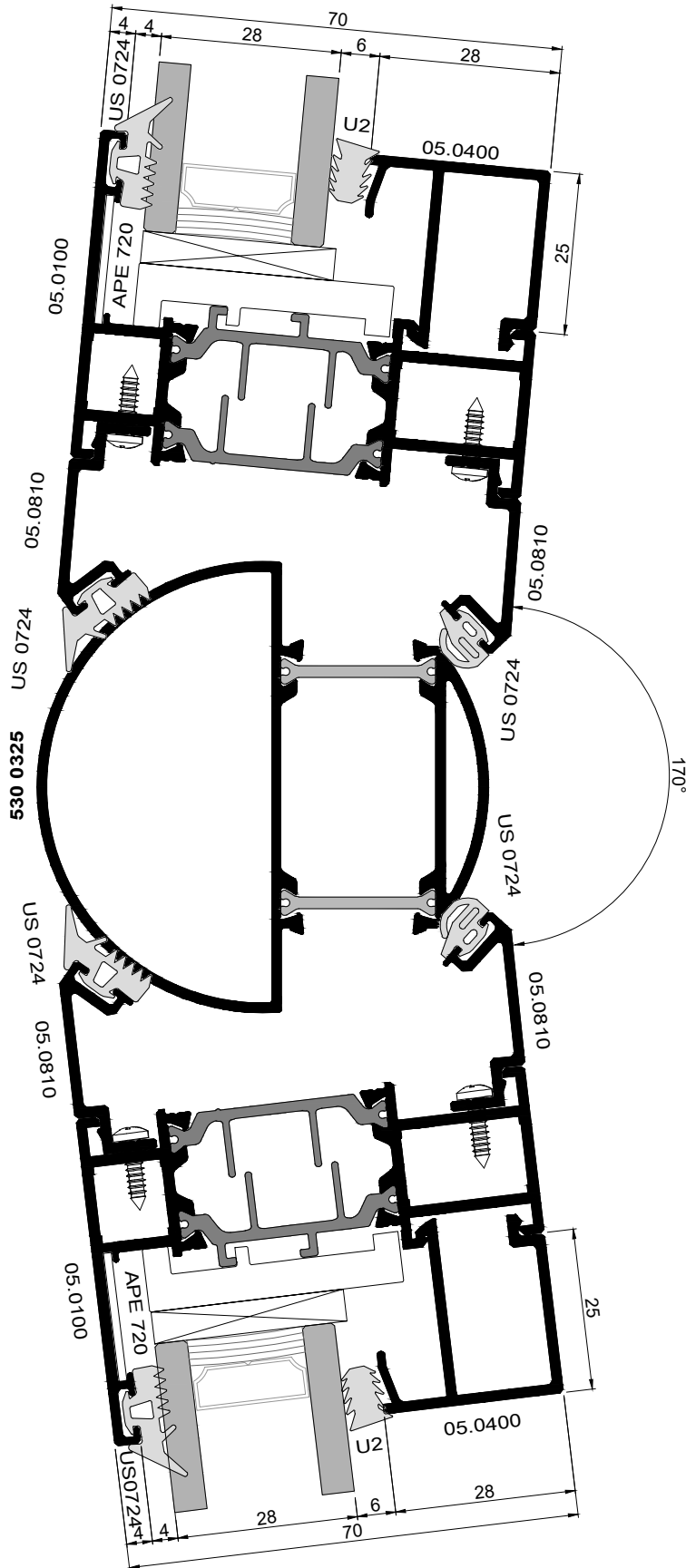


WINDOWS SECTIONS

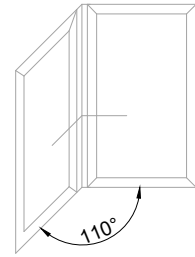
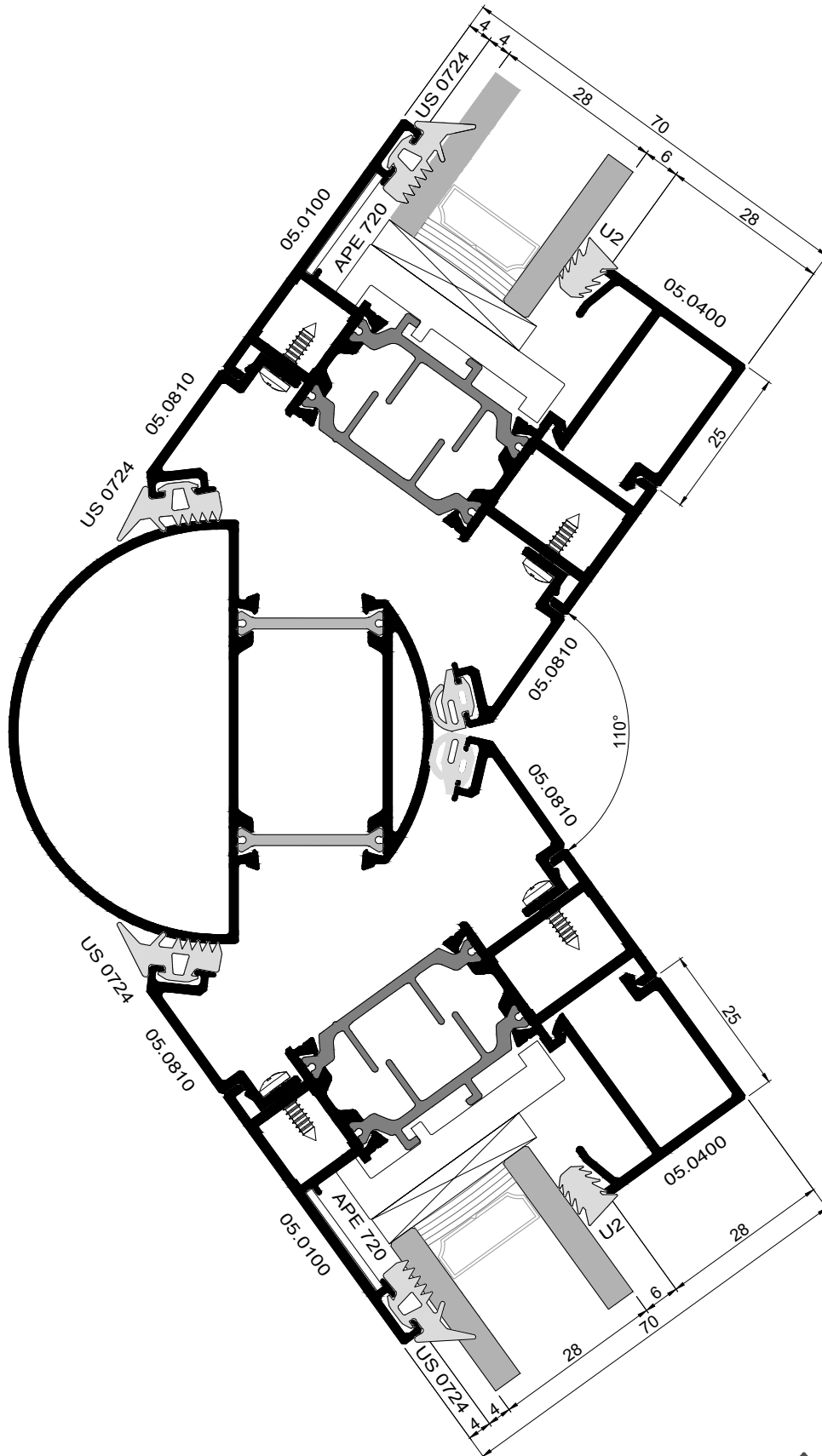


Series WDS 70

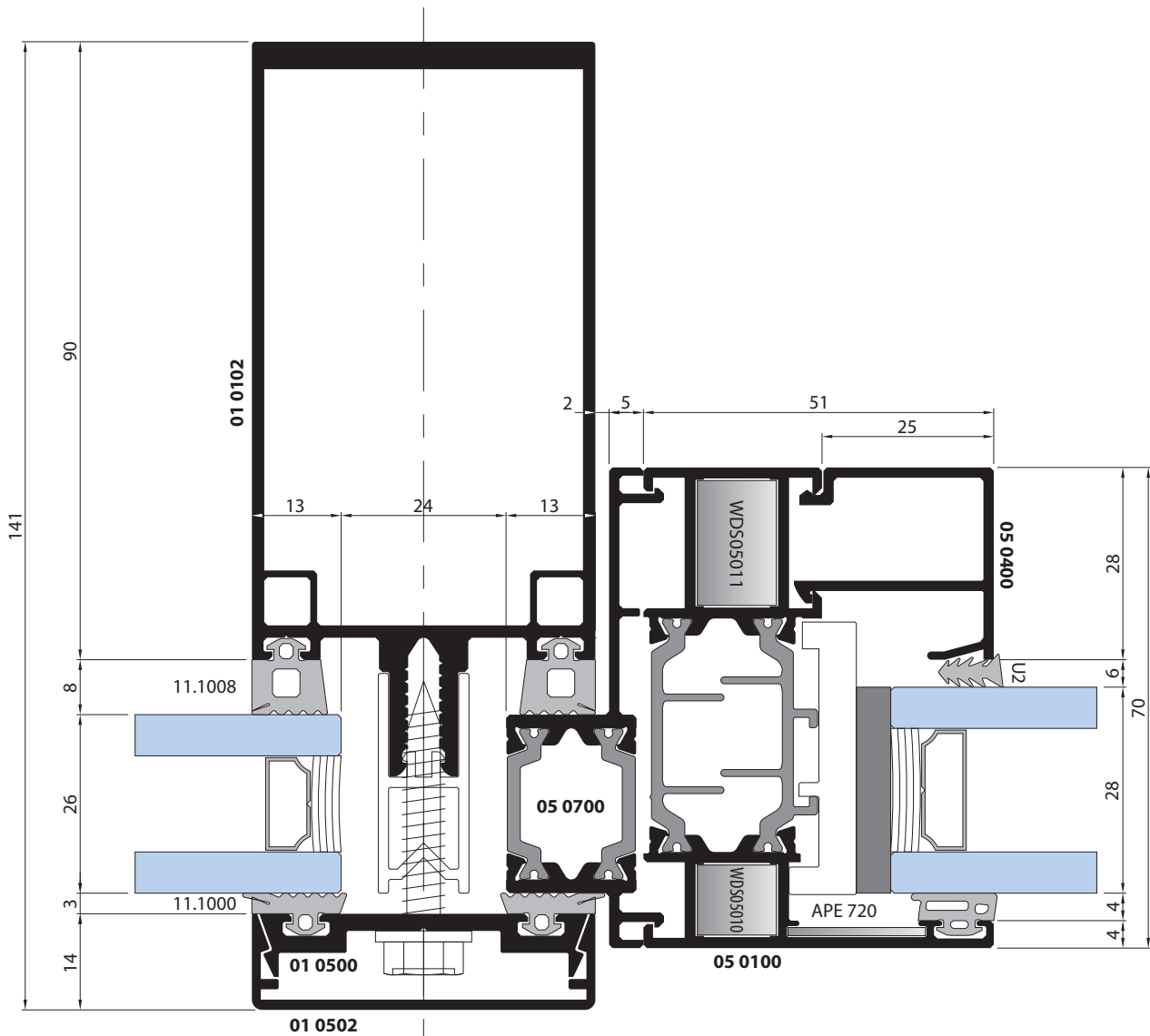
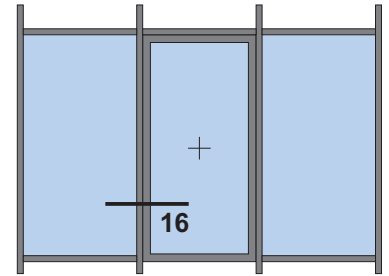
WINDOWS SECTIONS



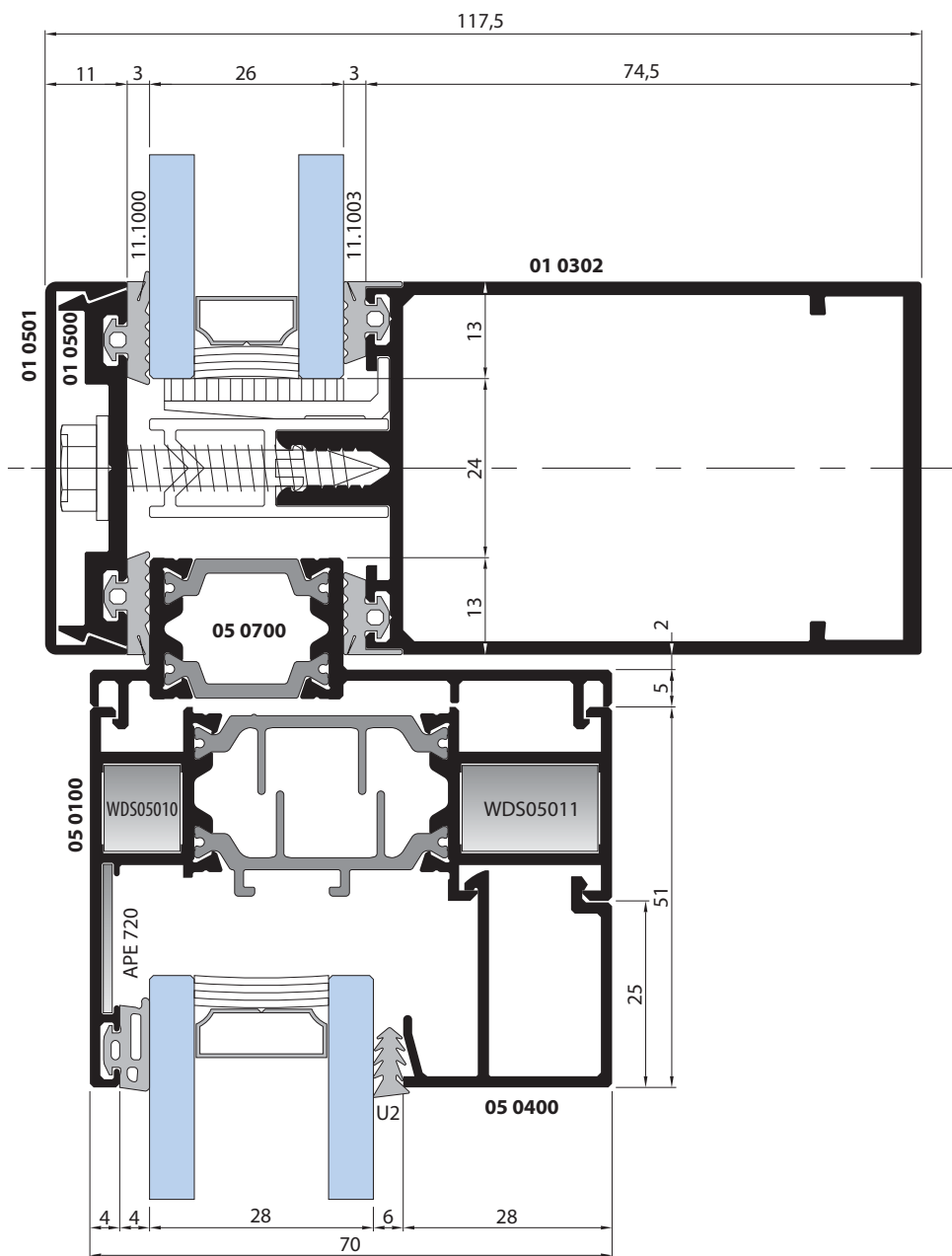
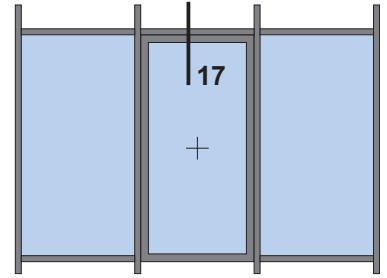
WINDOWS SECTIONS



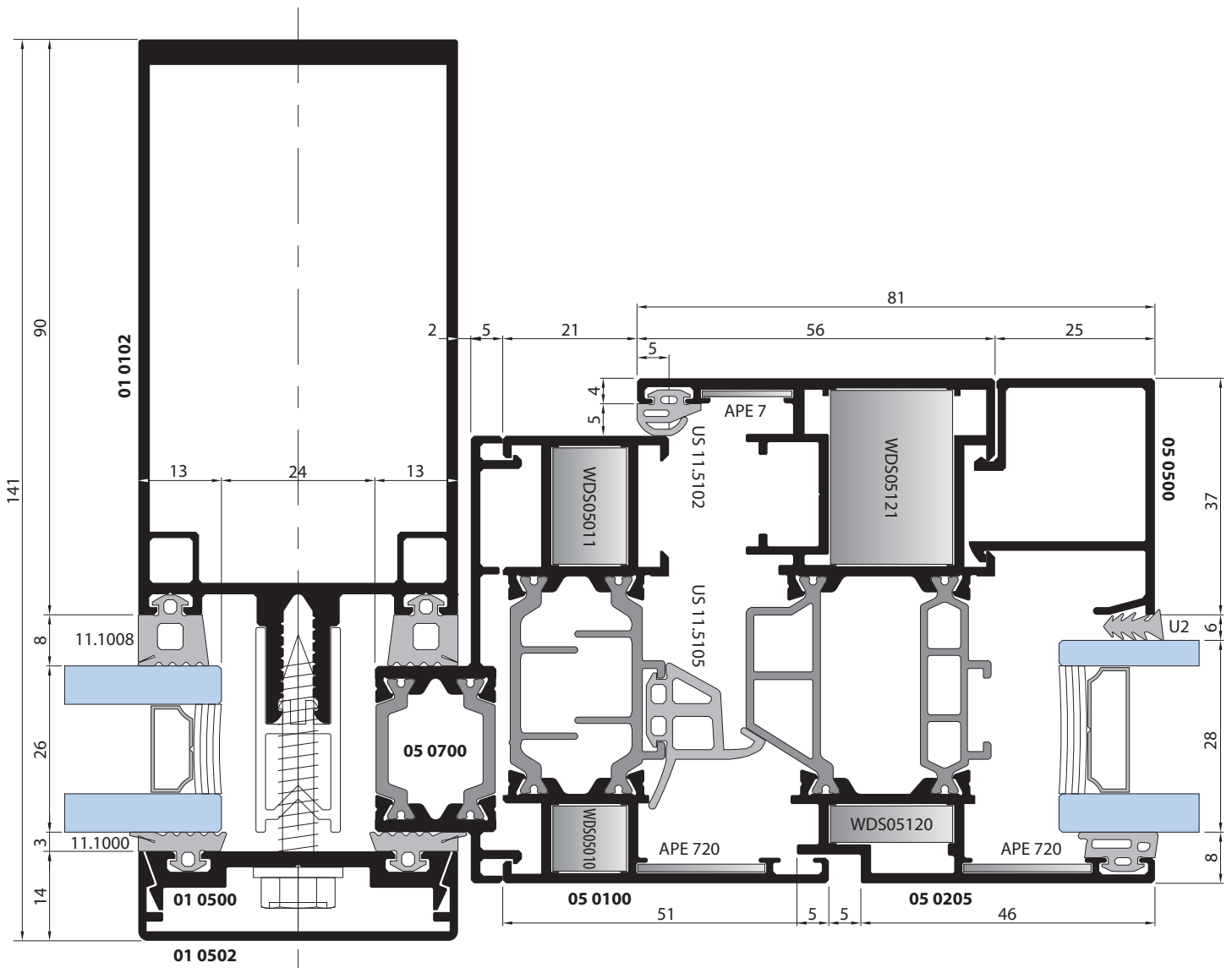
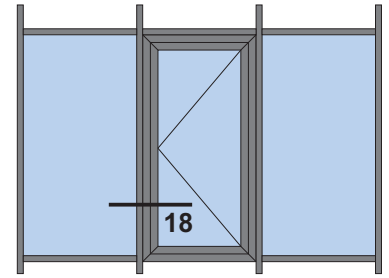
WINDOWS SECTIONS



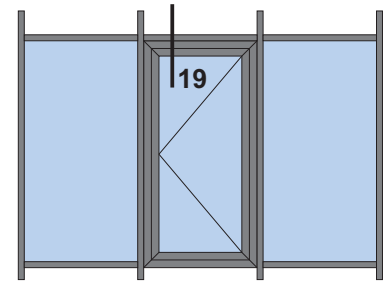
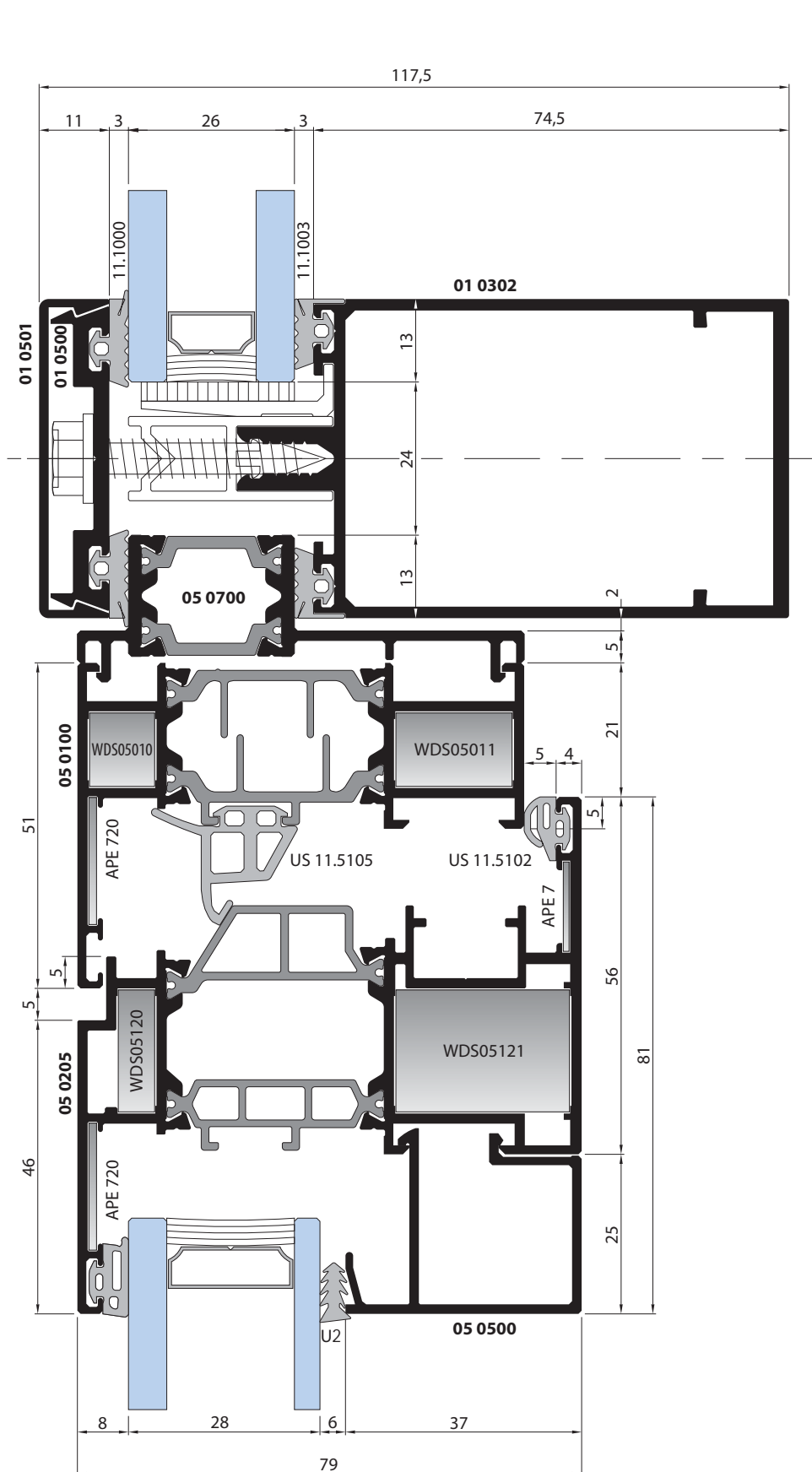
WINDOWS SECTIONS



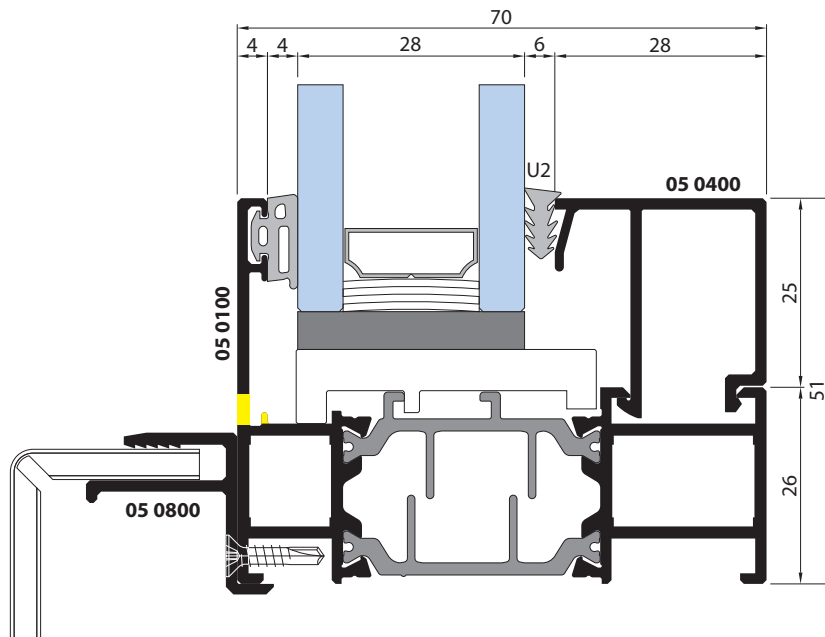
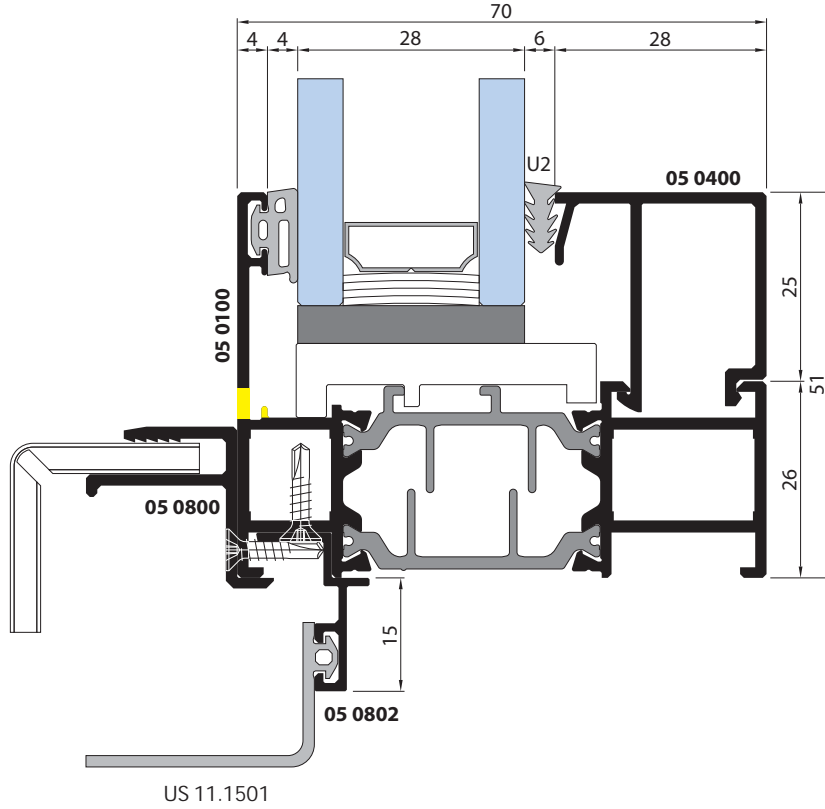
WINDOWS SECTIONS



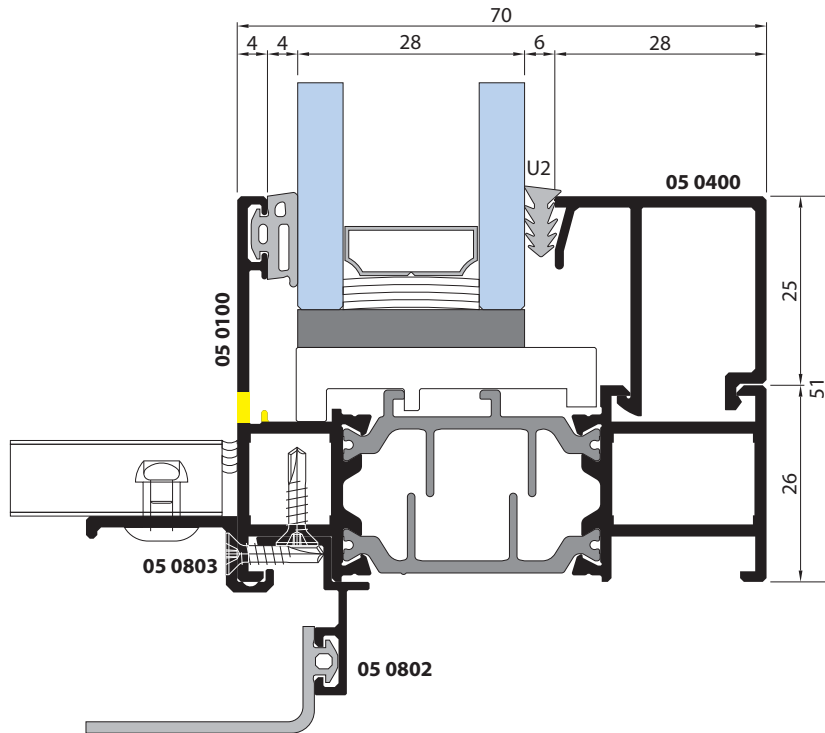
WINDOWS SECTIONS



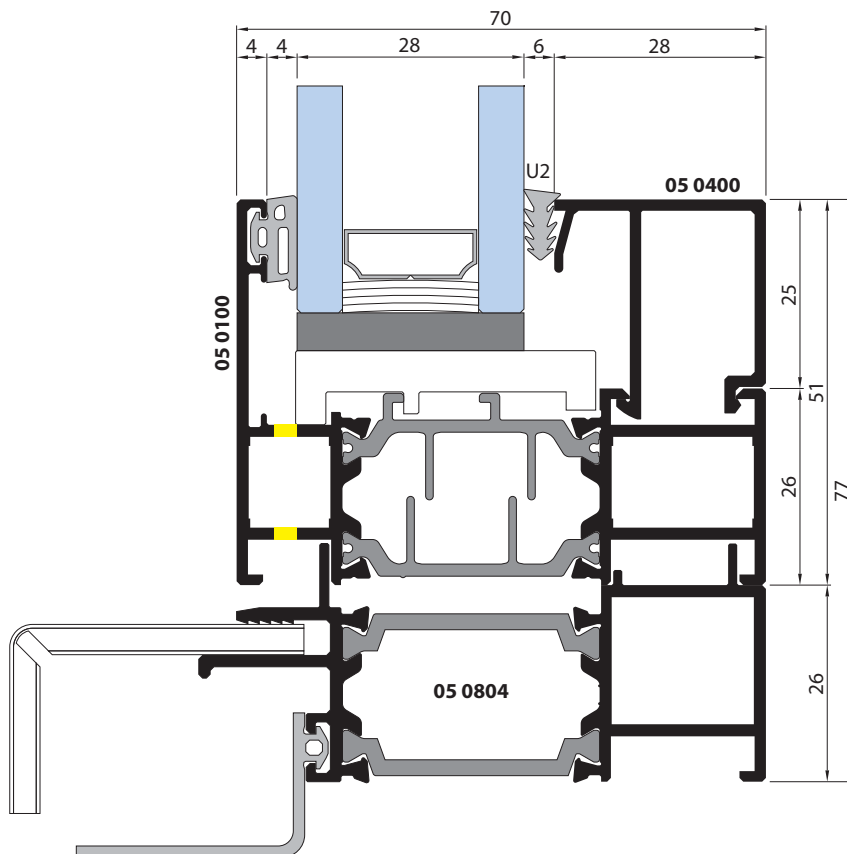
SECTIONS WITH BOND DETAILS



SECTIONS WITH BOND DETAILS

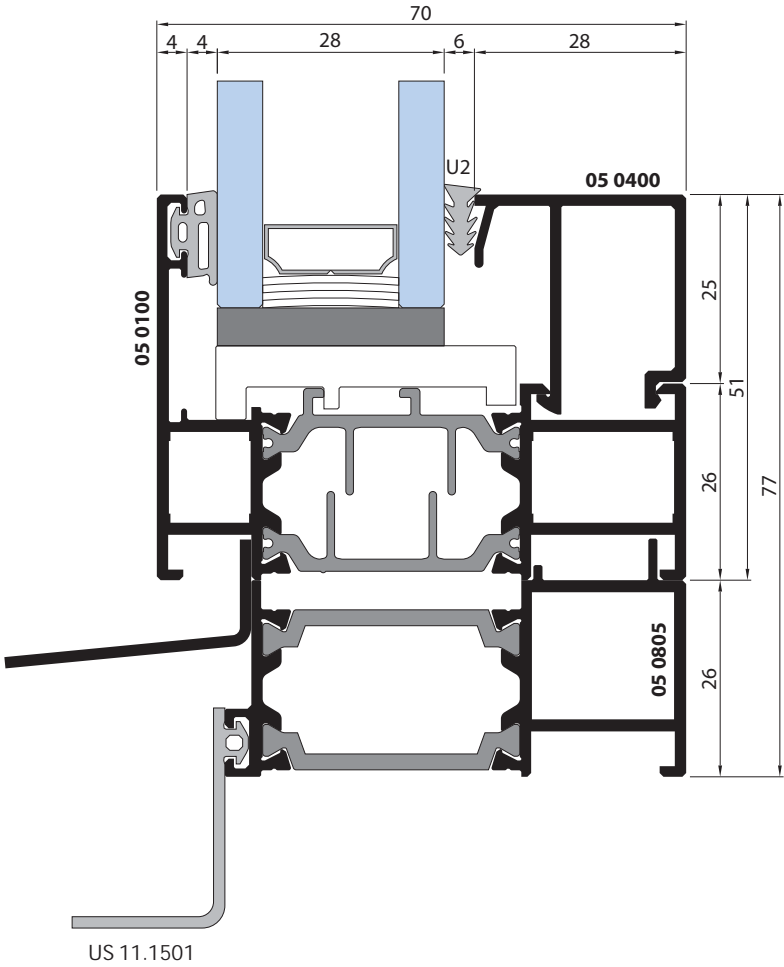


US 11.1501



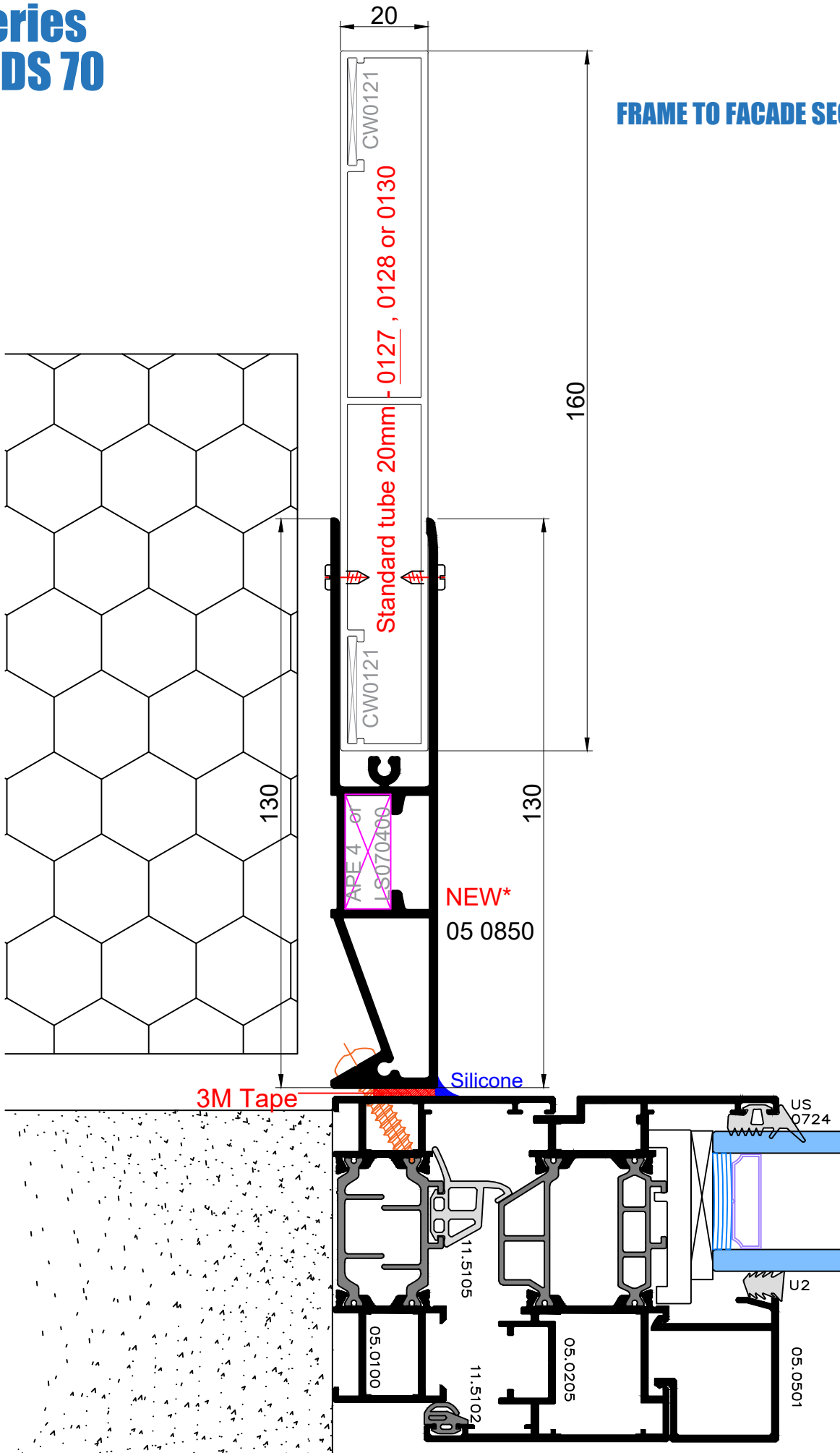
US 11.1501

SECTIONS WITH BOND DETAILS



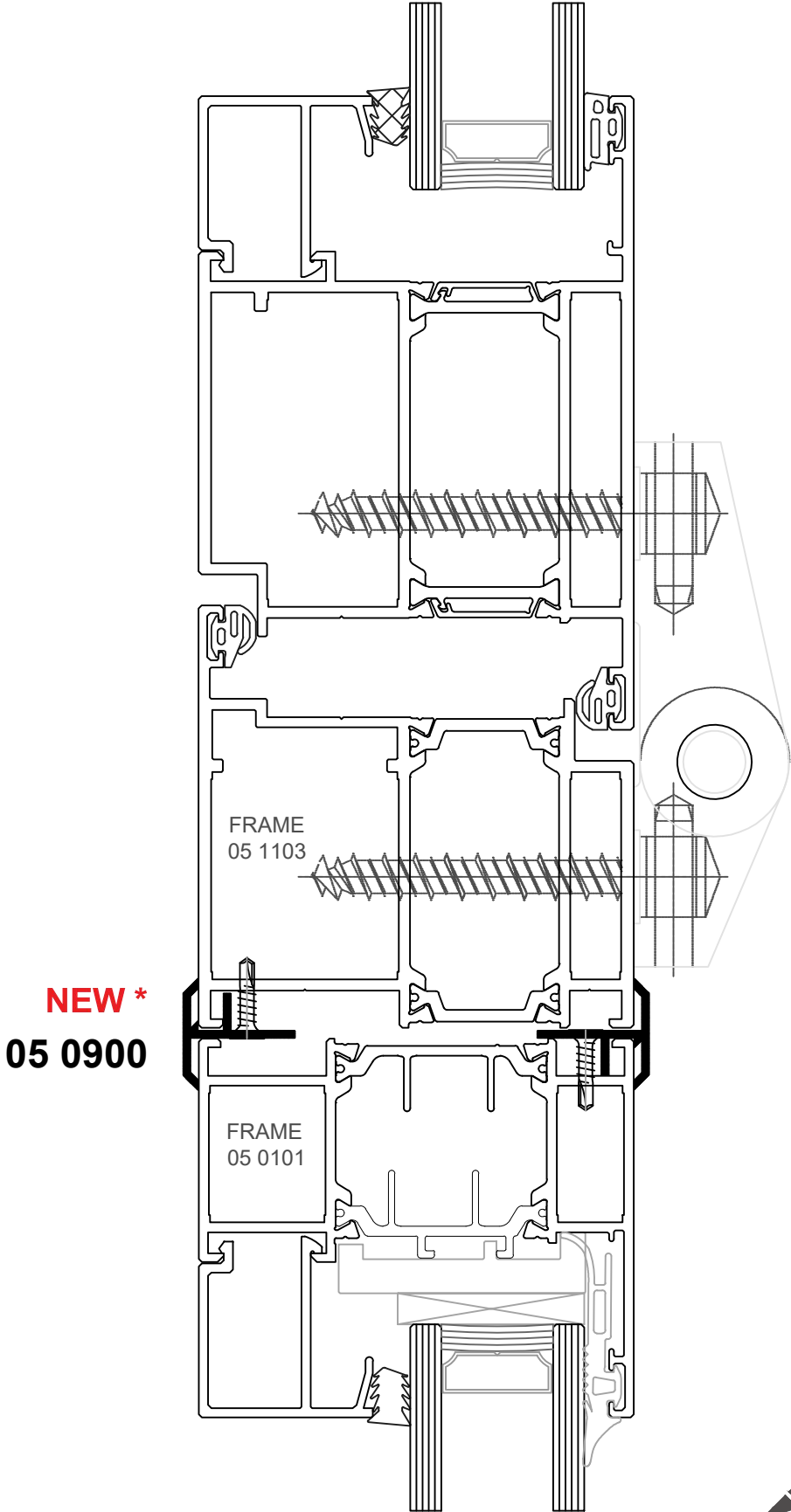
Series WDS 70

FRAME TO FACADE SECTIONS

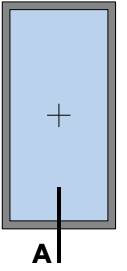
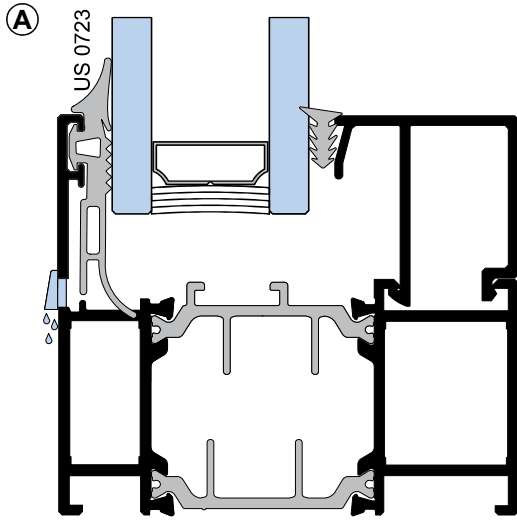


**Series
WDS 70**

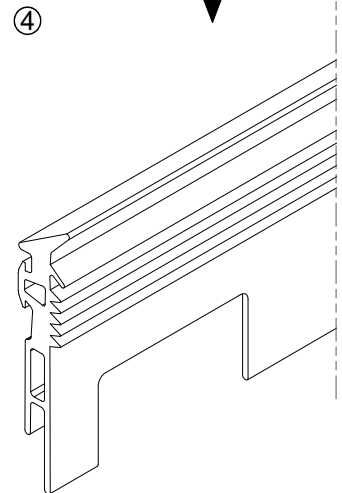
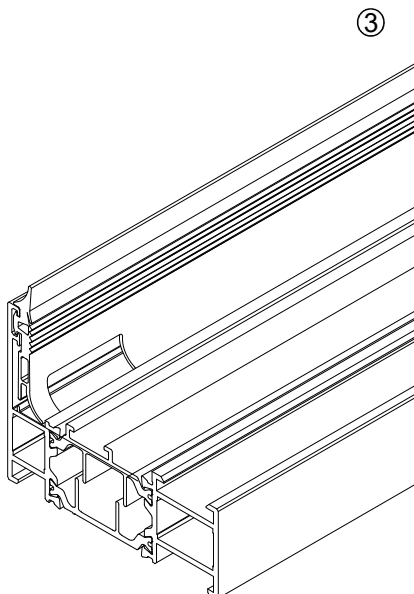
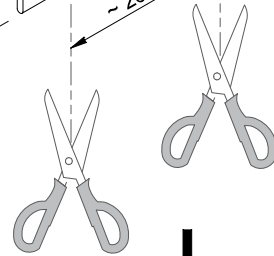
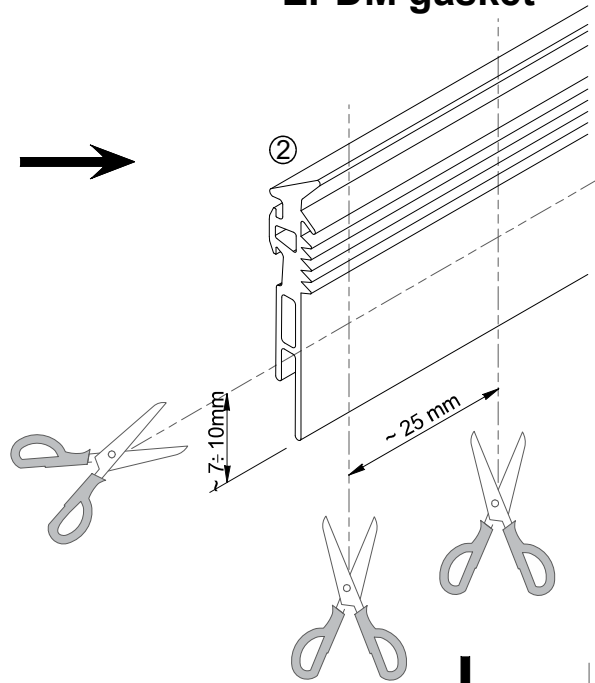
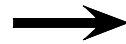
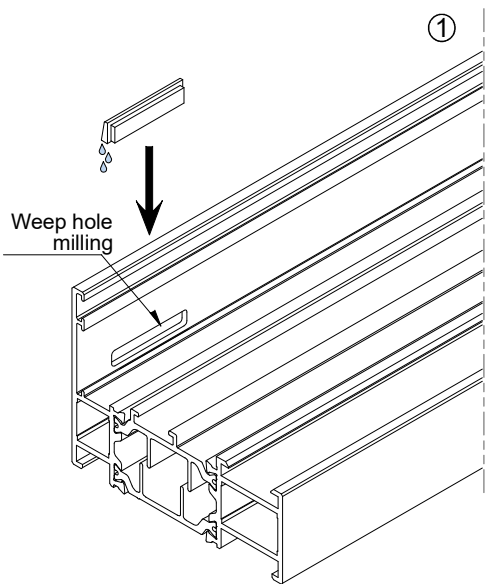
FRAME TO FRAME SECTIONS



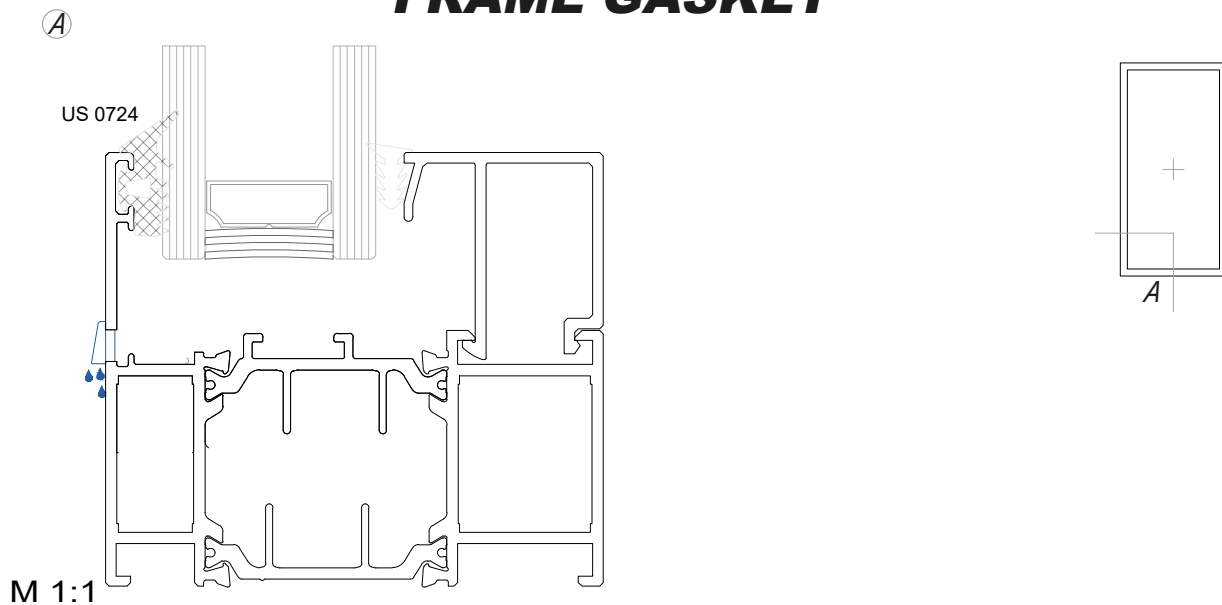
DRAINAGE



Pattern of cutting
of US 0723
EPDM gasket

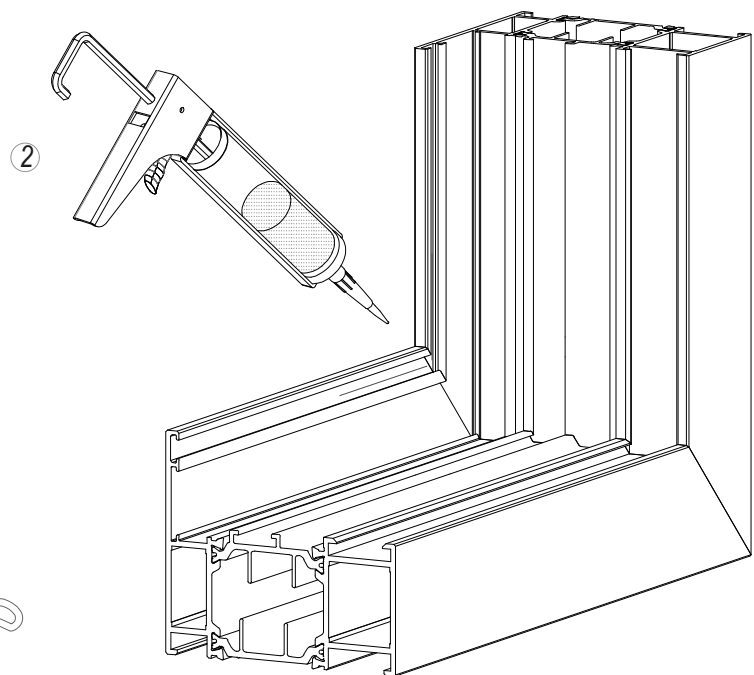
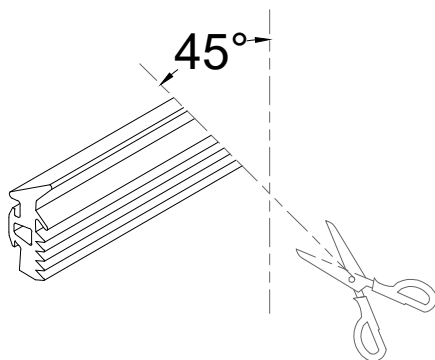


CUTTING AND GLUING FRAME GASKET

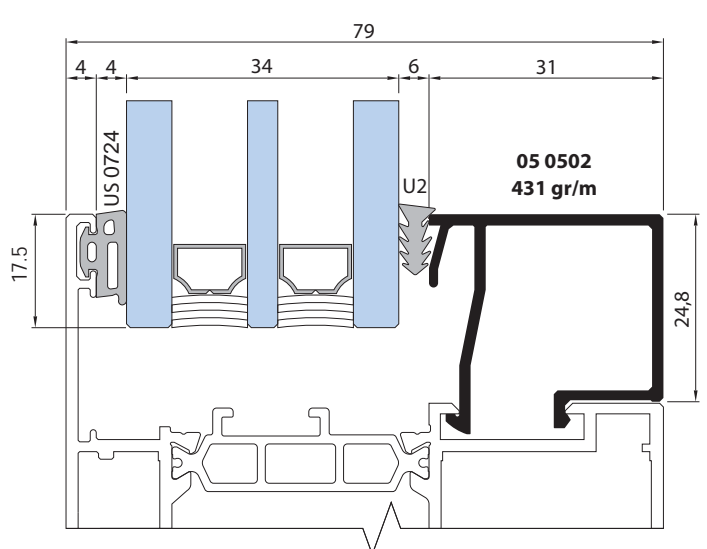
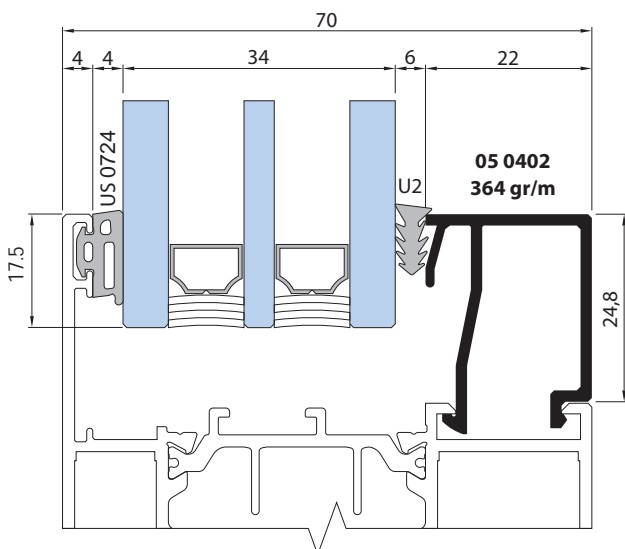
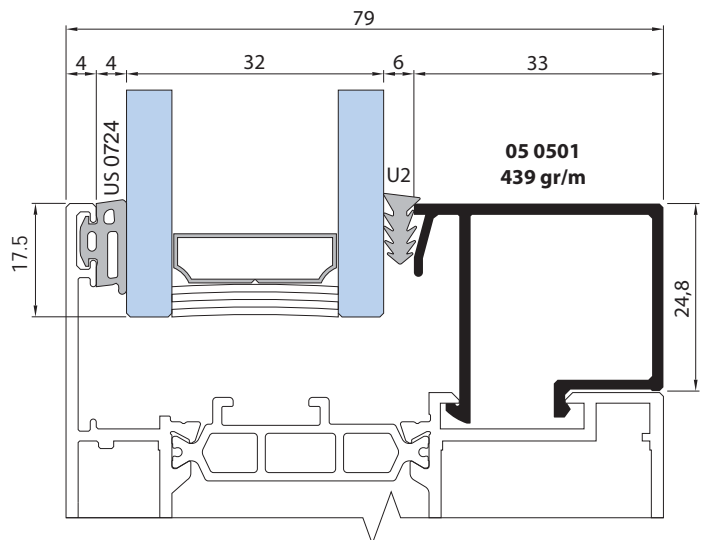
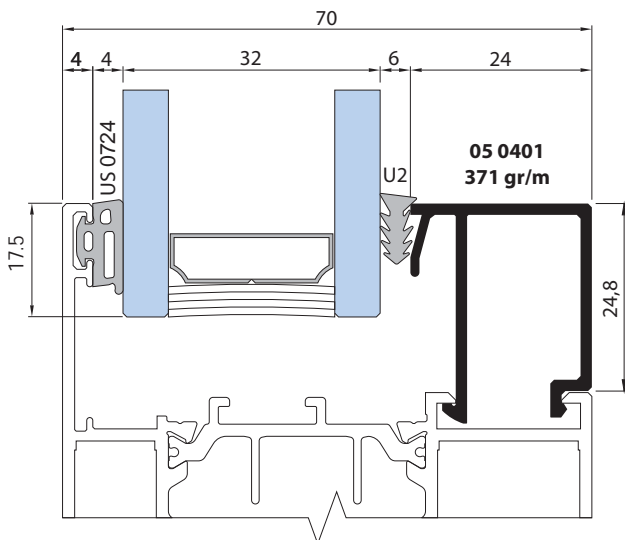
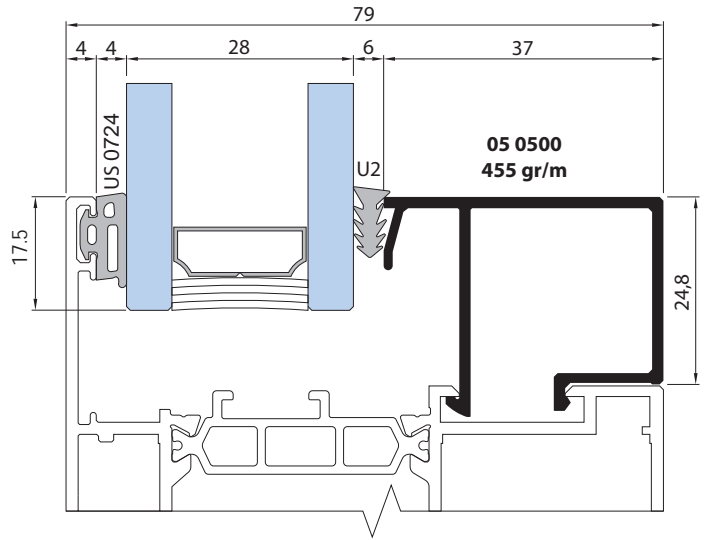
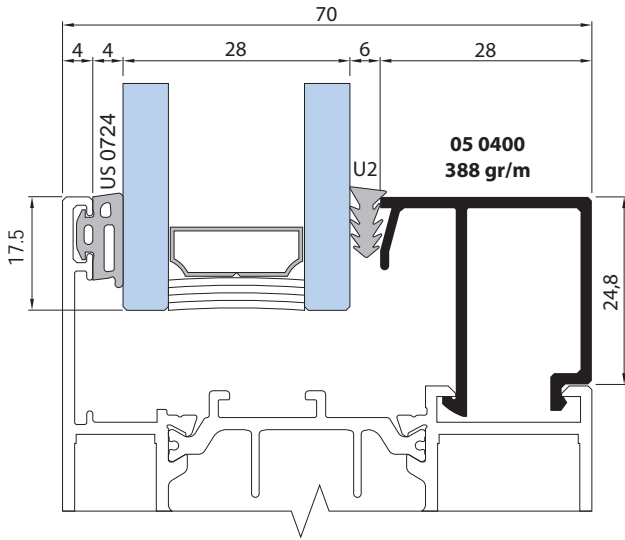


Apply glue code LSK144 to highlighted edges

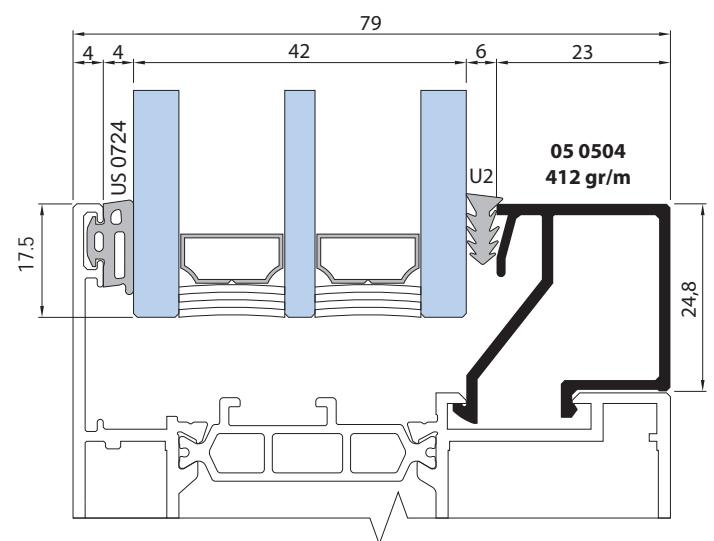
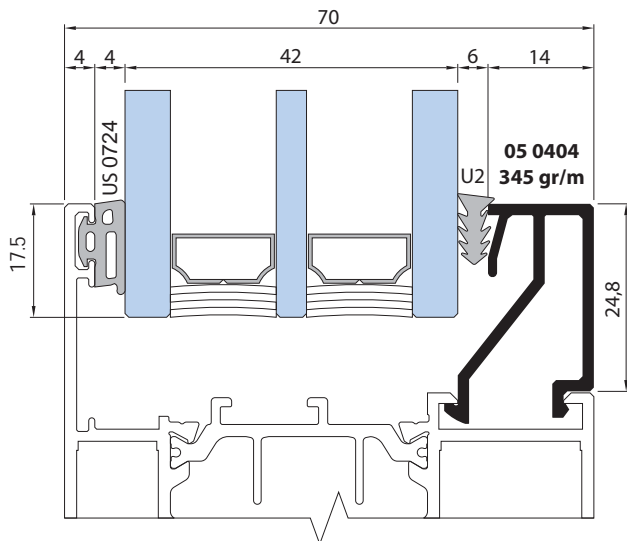
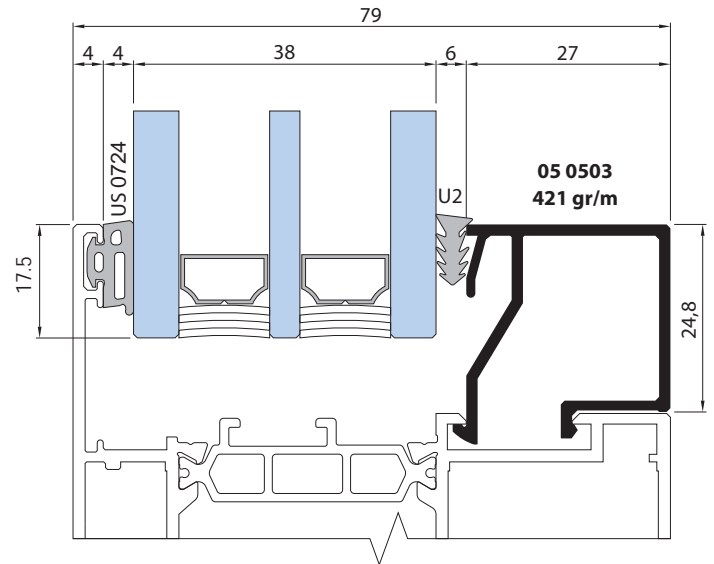
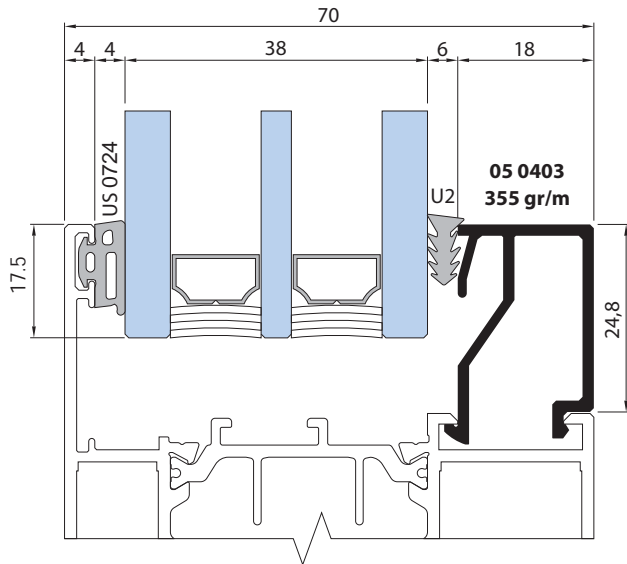
①
Cutting
of US 0724 EPDM gasket



GLAZING OPTIONS



GLAZING OPTIONS



DOORS

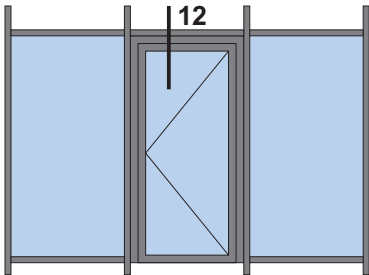
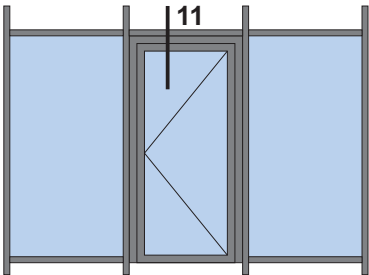
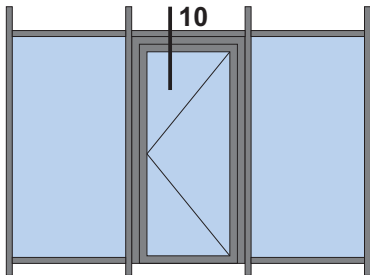
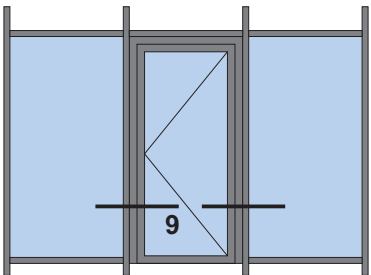
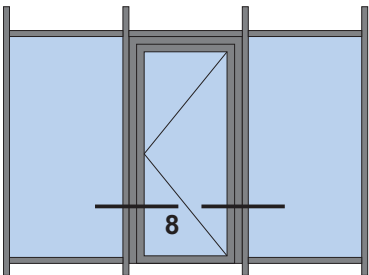
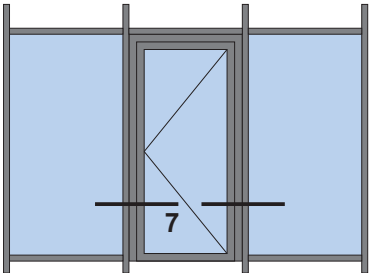
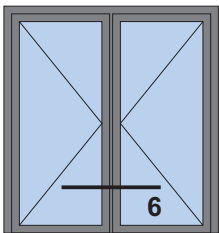
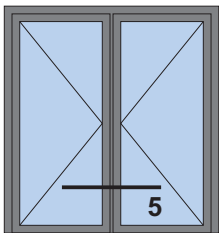
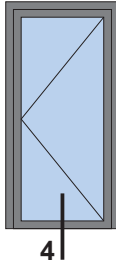
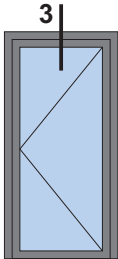
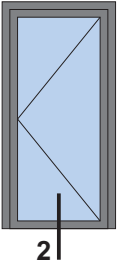
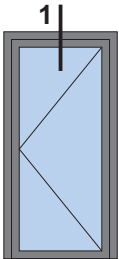
ASPECT SECTIONS

DOORS SECTIONS

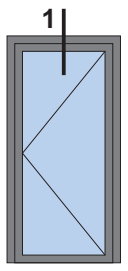
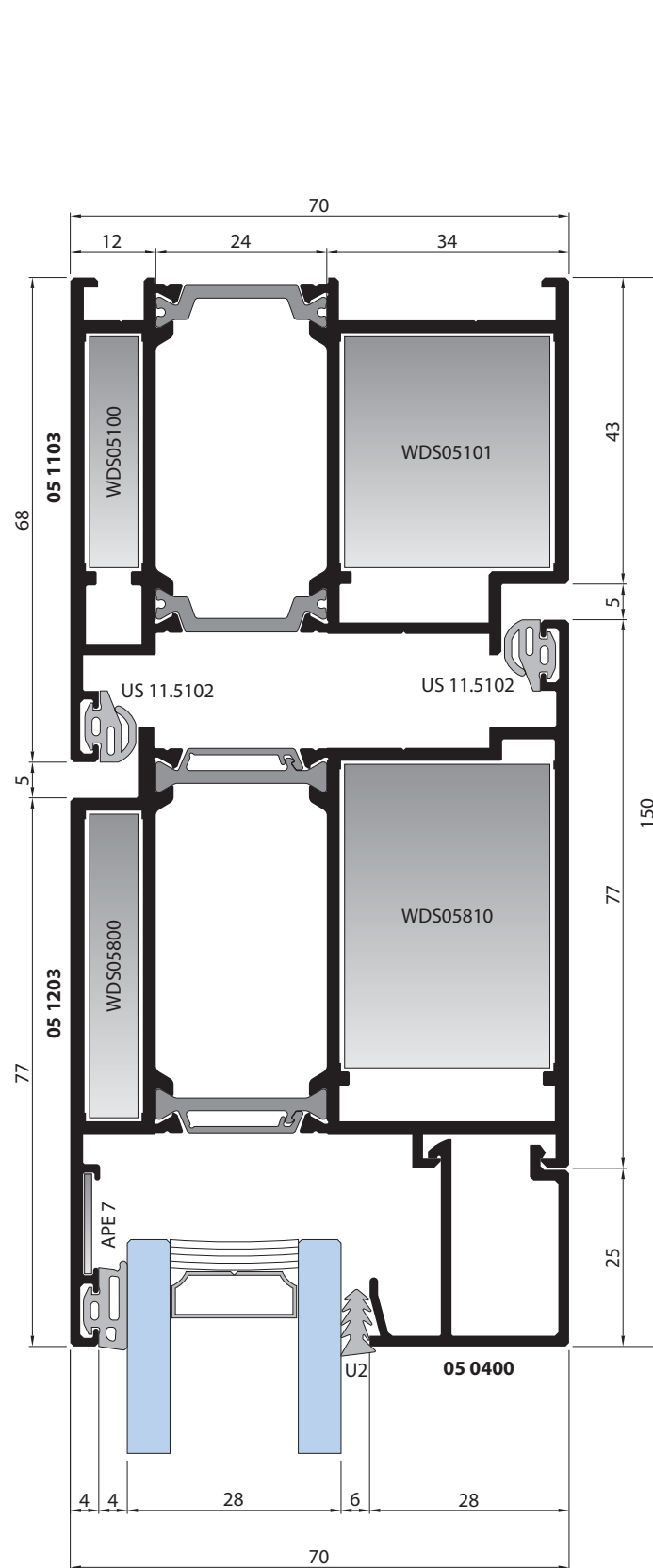
GLAZING OPTIONS

PANEL DOORS

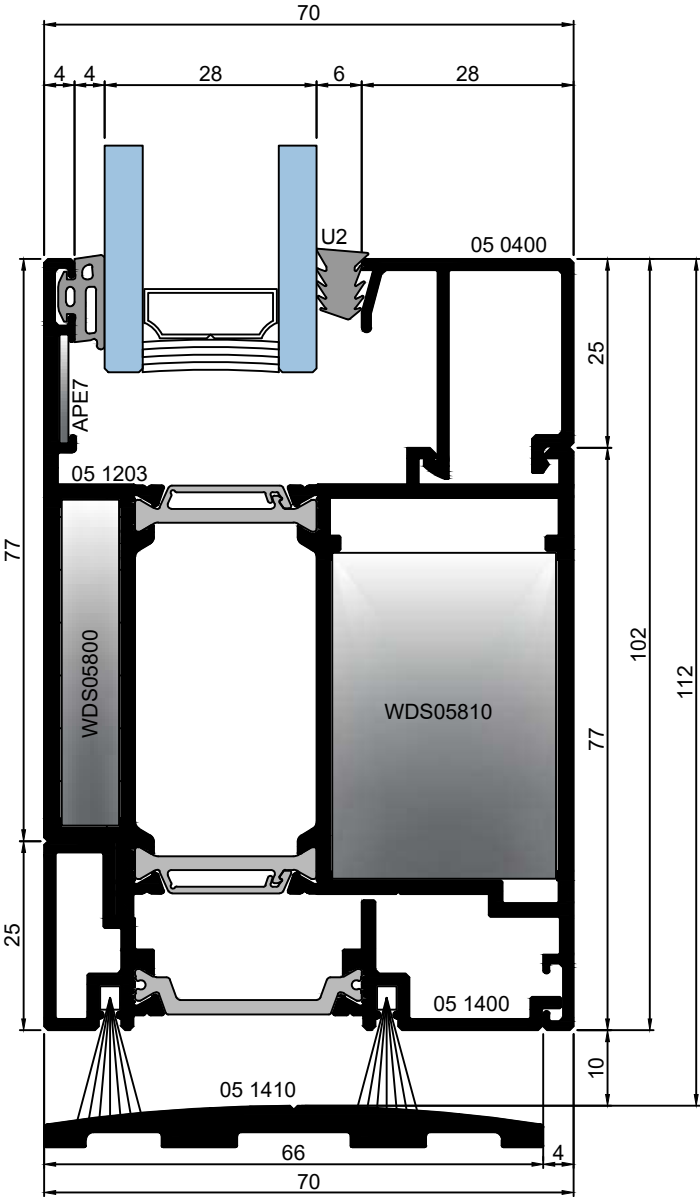
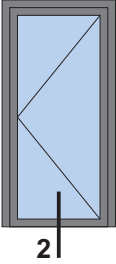
ASPECT SECTIONS



DOORS SECTIONS



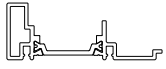

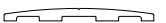

DOORS SECTIONS

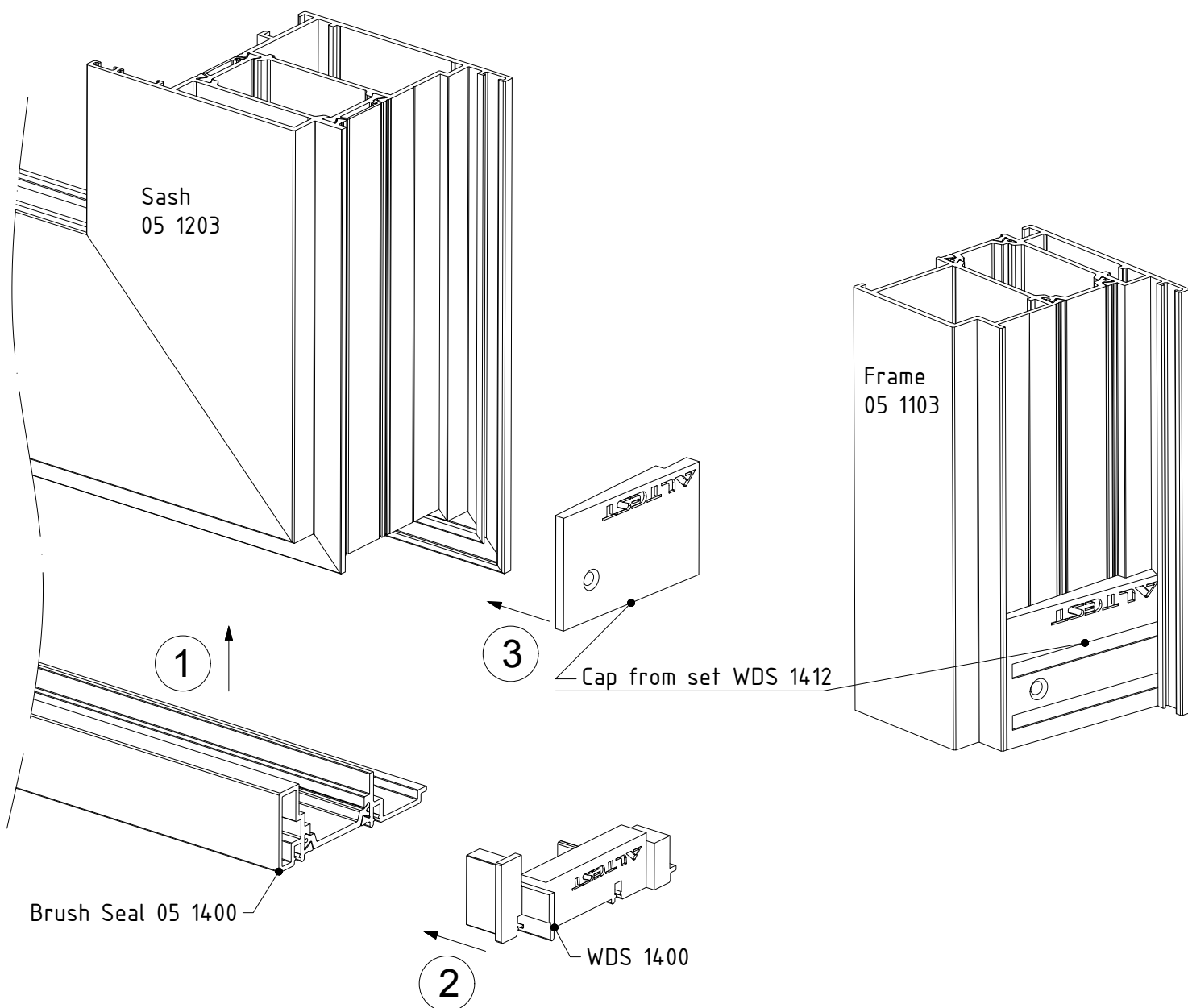
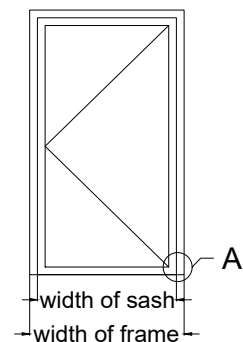


Series WDS 70

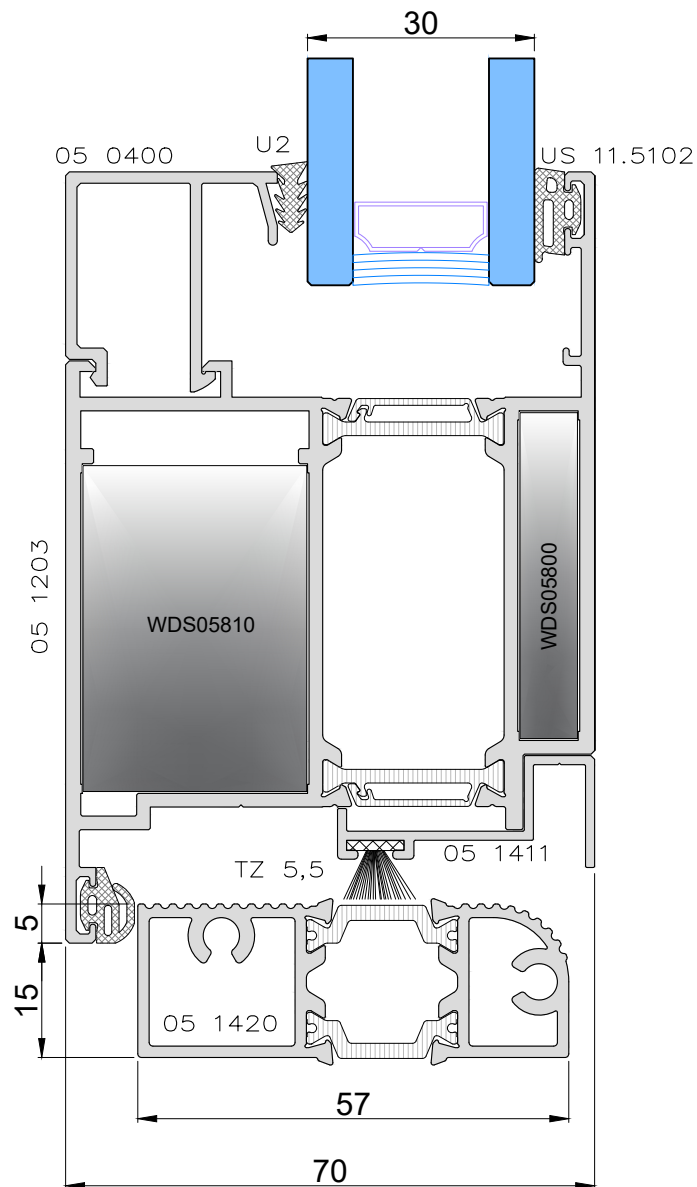
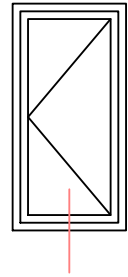
DOOR SECTIONS

calculation of cutting length for :

05 1400		L = width of frame - 150 mm.	
05 1410		L = width of frame - 106 mm.	



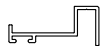



DOOR SECTIONS

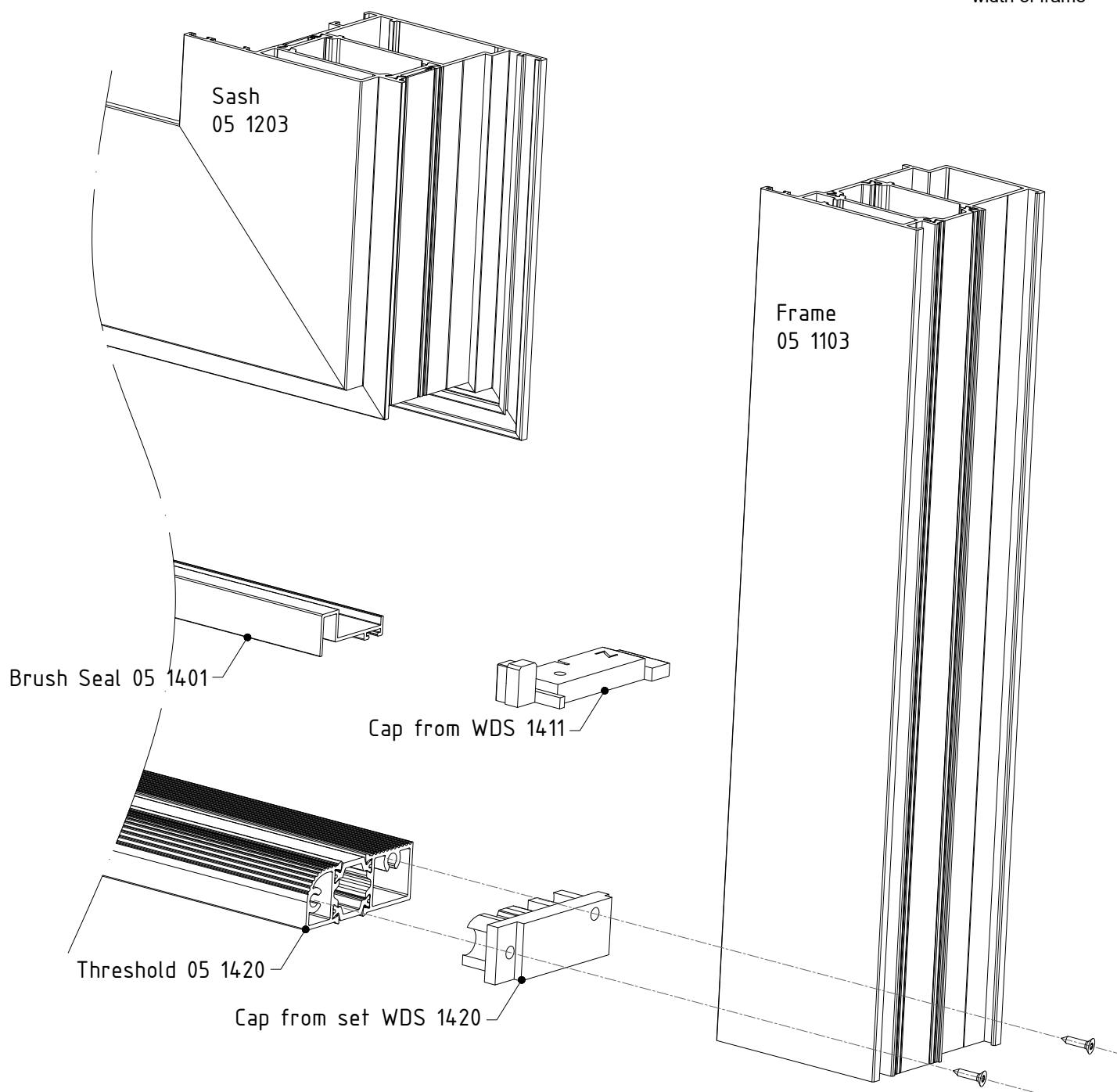
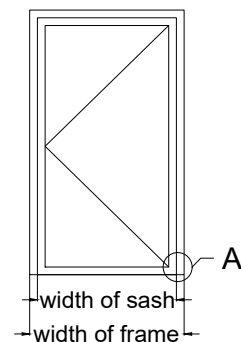


Series WDS 70

DOOR SECTIONS

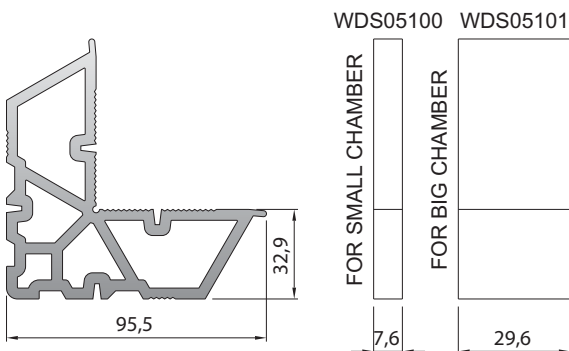
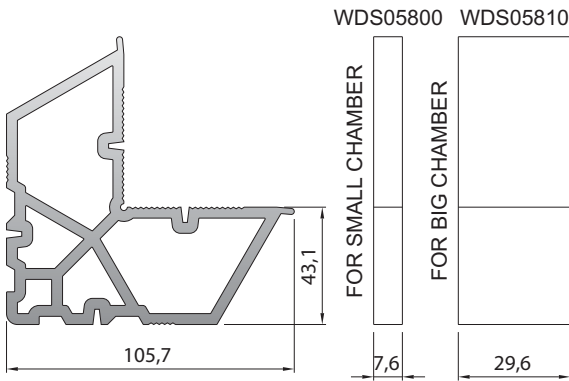
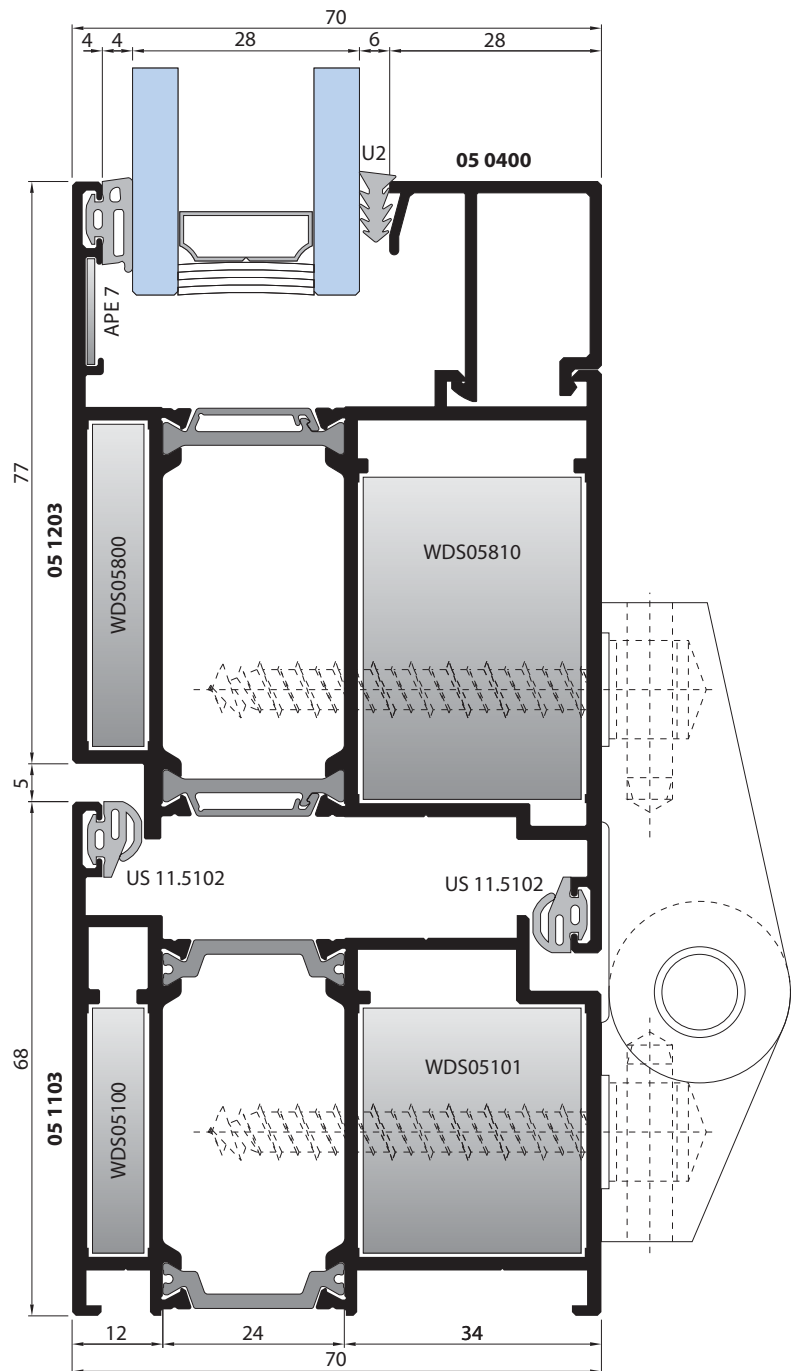
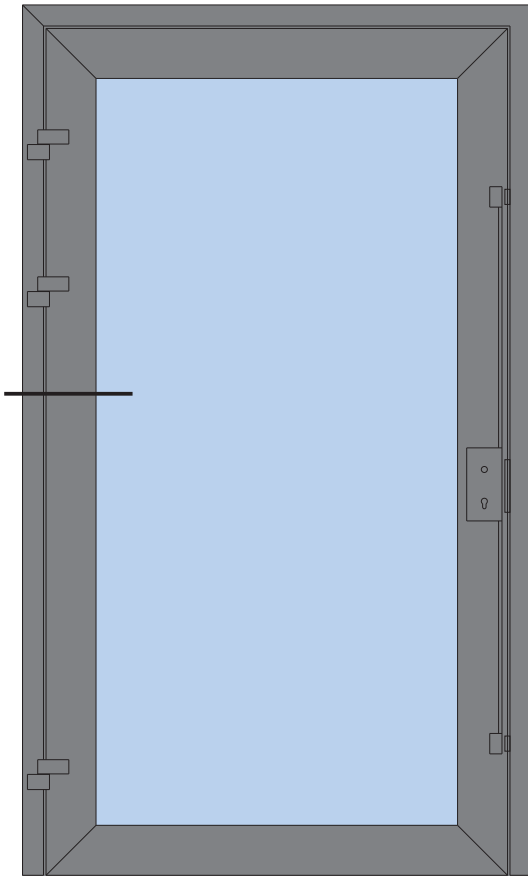
calculation of cutting length for :

05 1401		L = width of frame - 156 mm.	
05 1420		L = width of frame - 115 mm.	



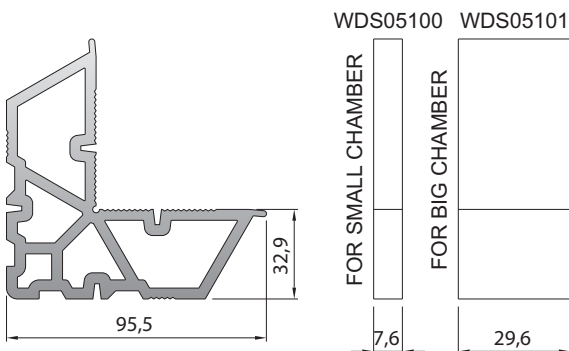
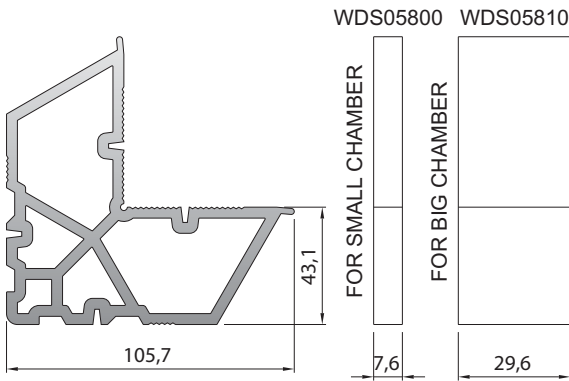
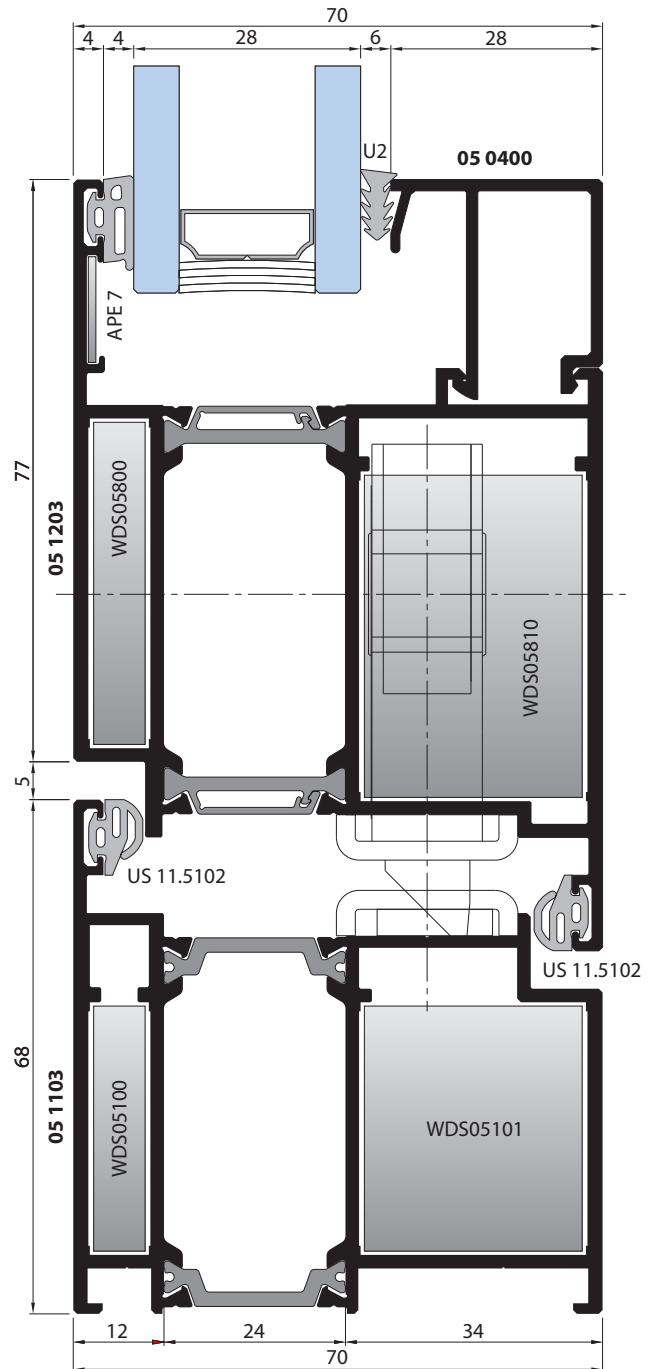
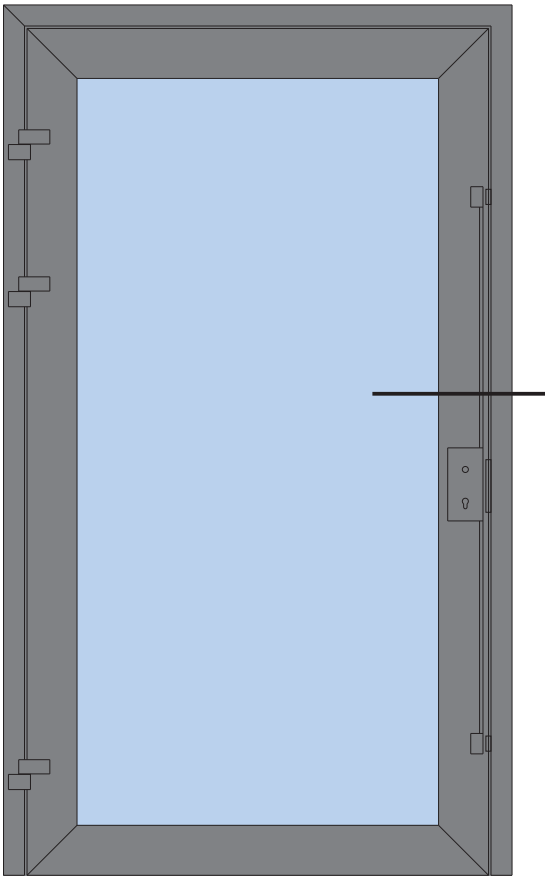
Series WDS 70

DOORS SECTIONS

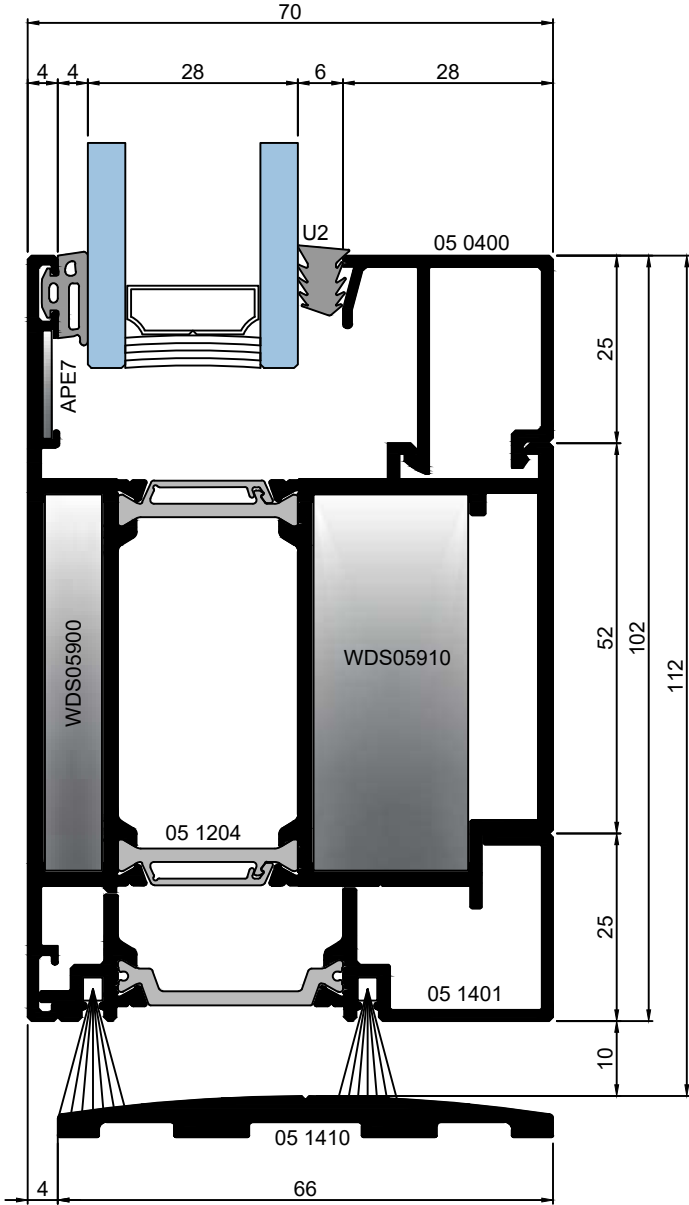
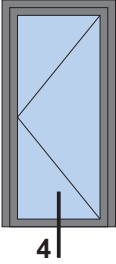


Series WDS 70

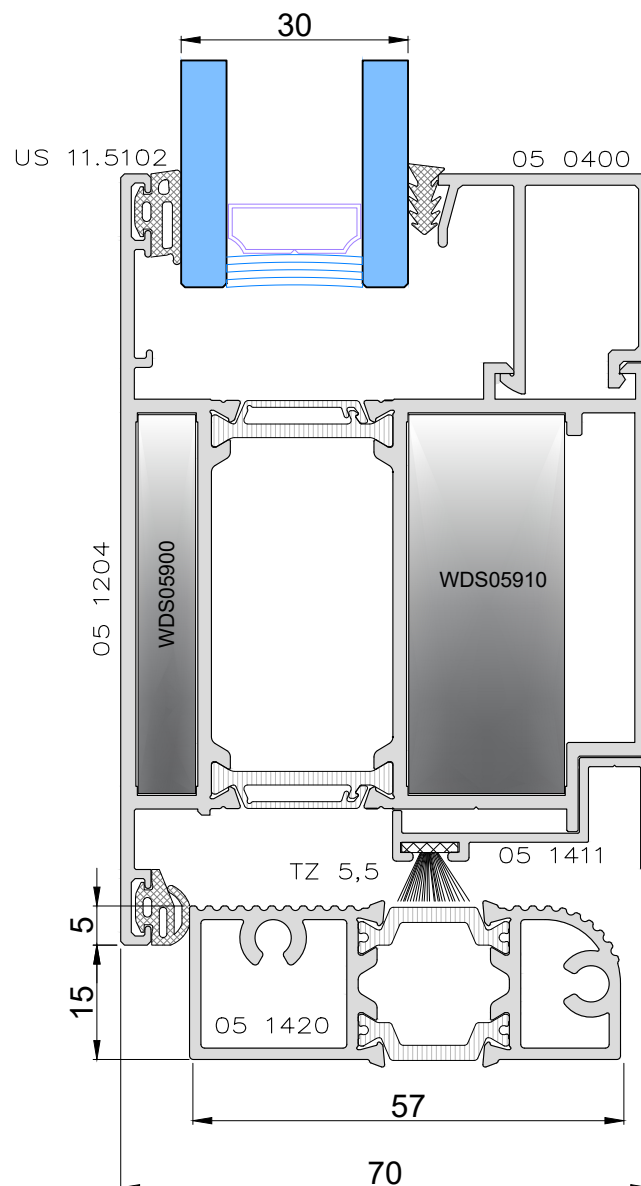
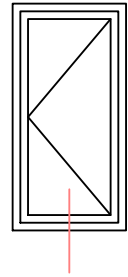
DOORS SECTIONS



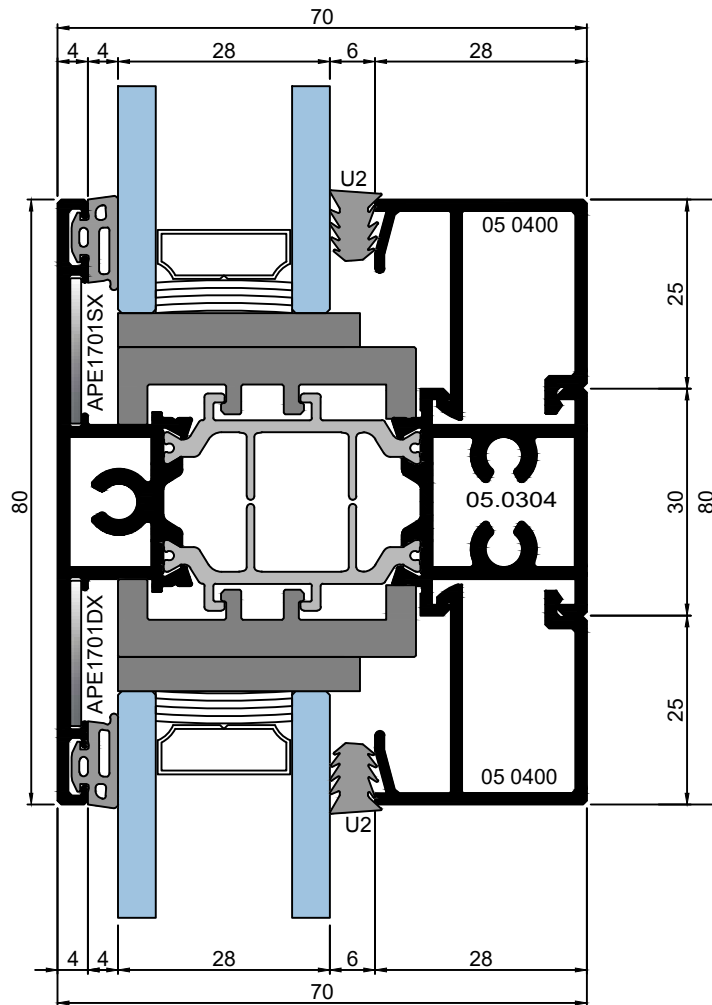
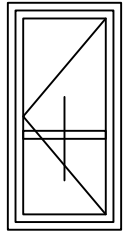
DOORS SECTIONS



DOOR SECTIONS

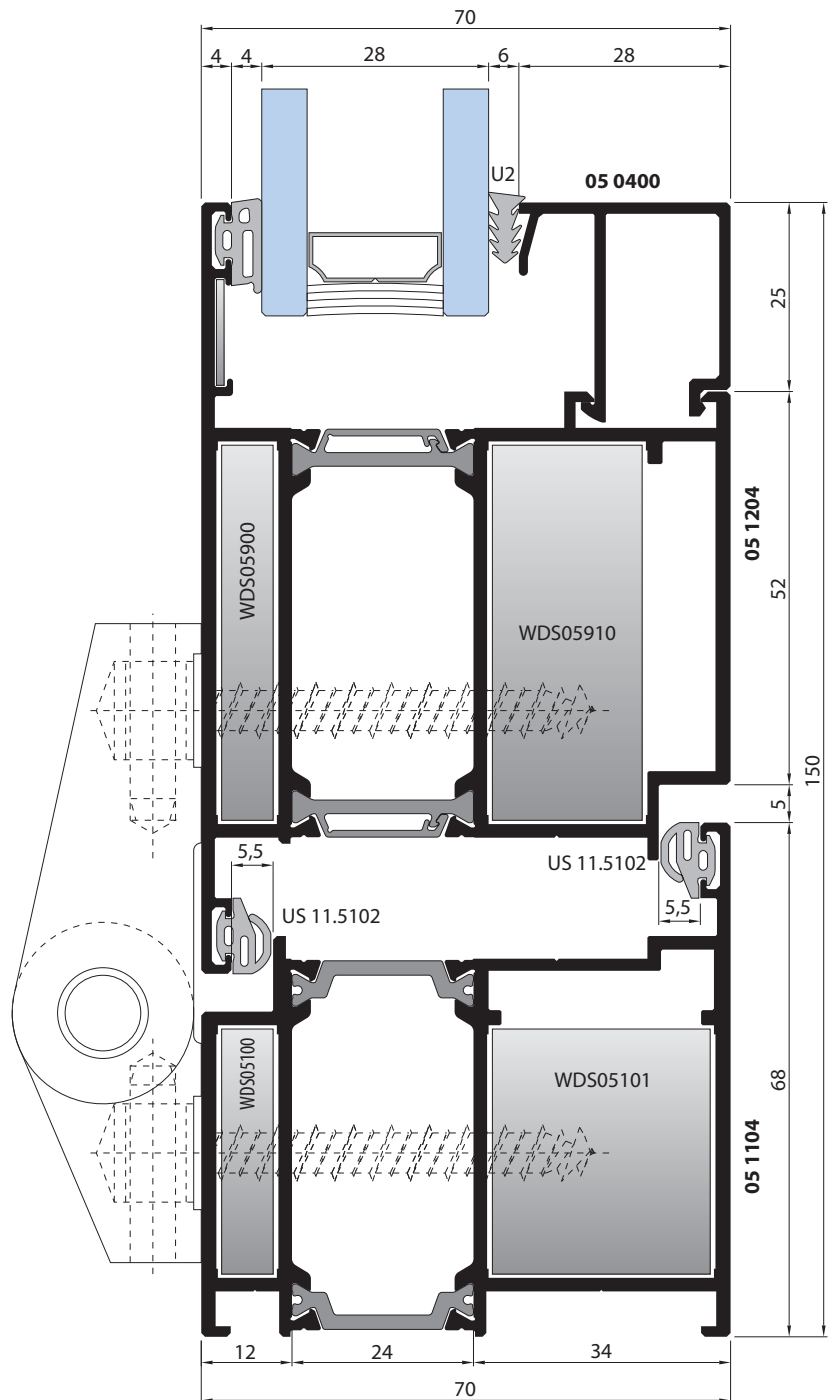
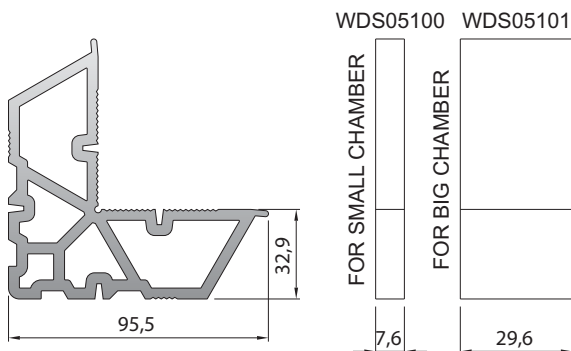
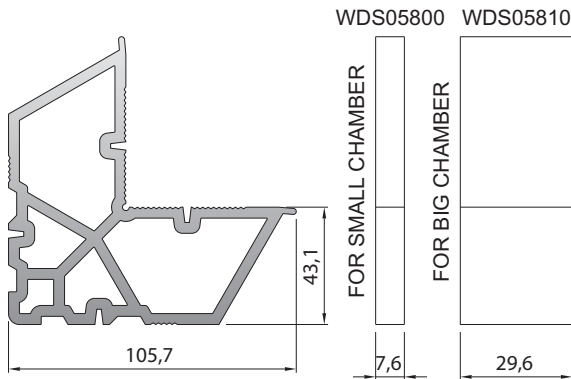
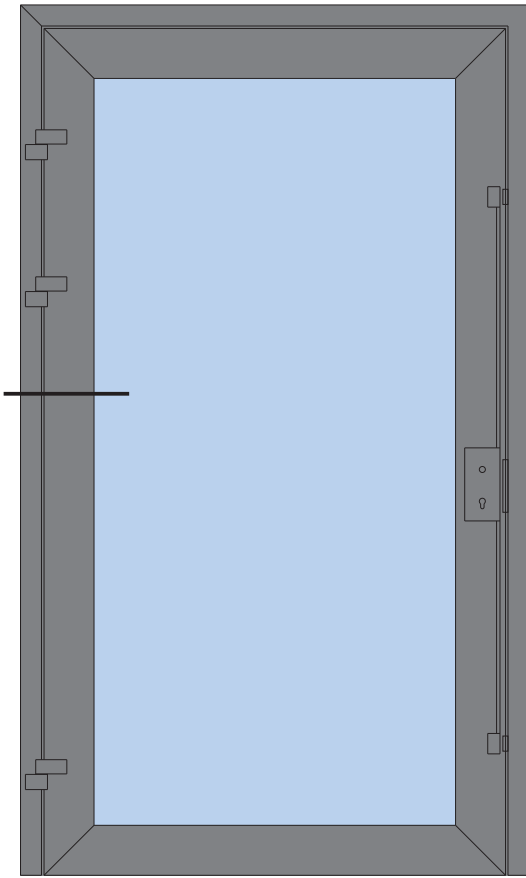


DOORS SECTIONS



Series WDS 70

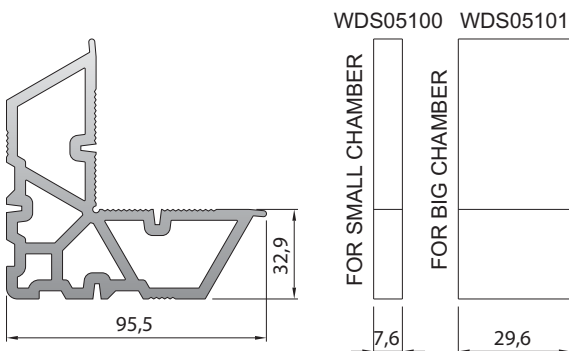
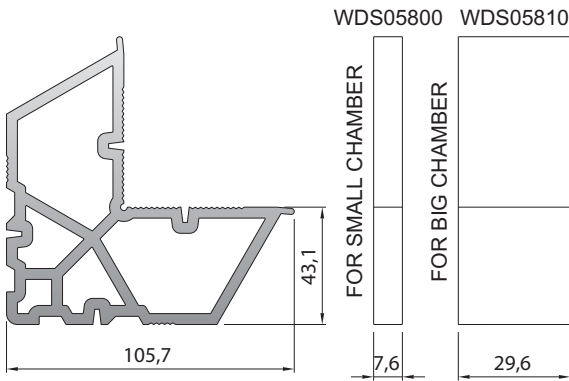
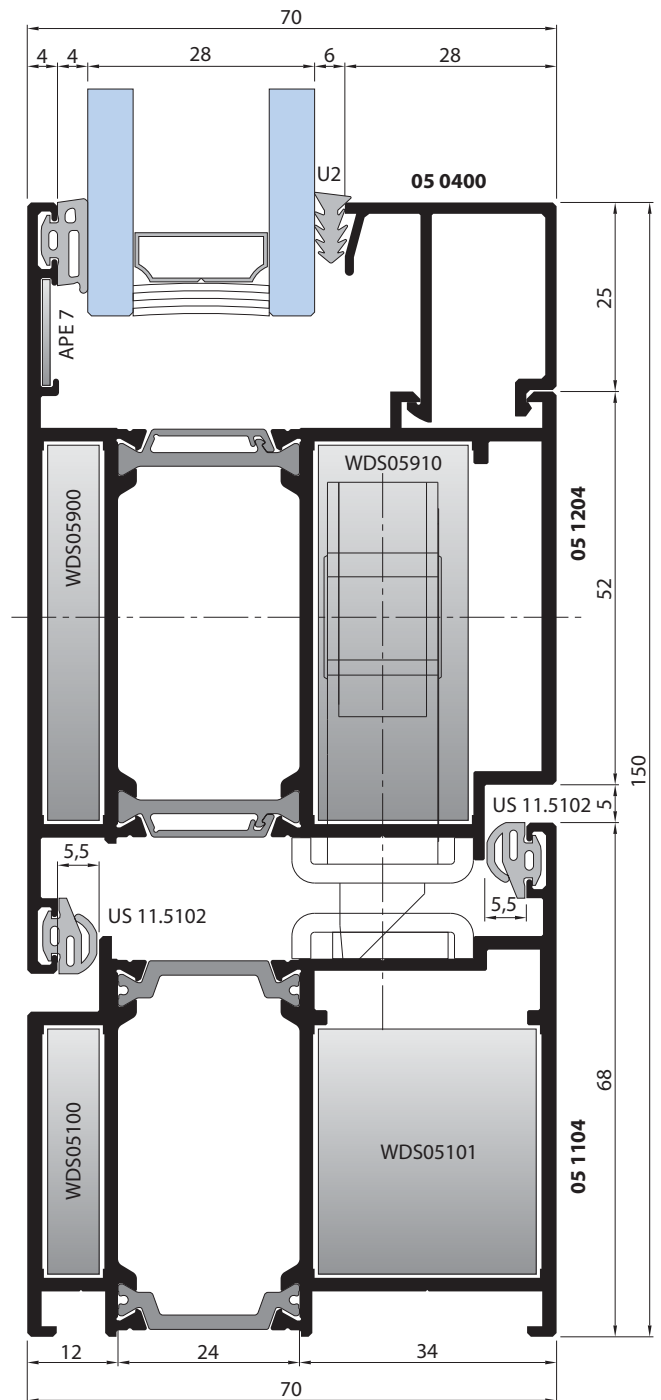
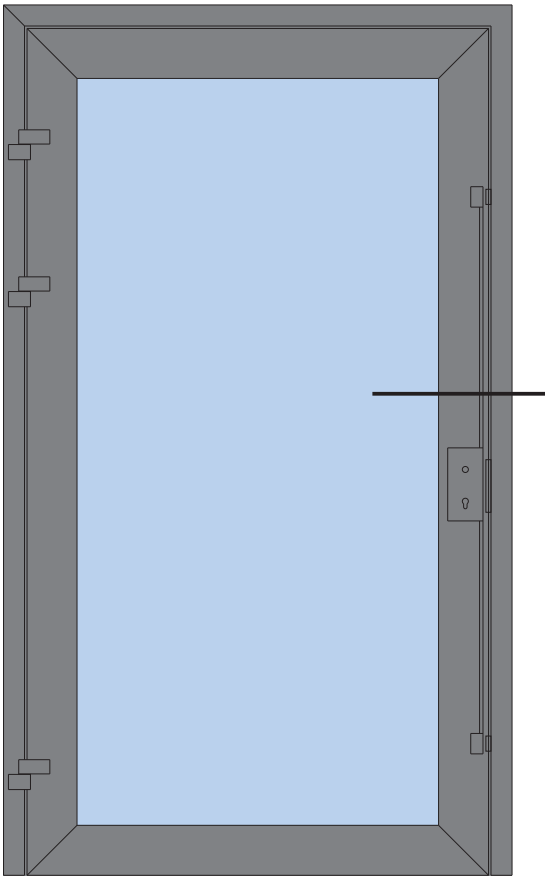
DOORS SECTIONS



M 1:1

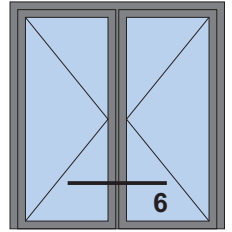
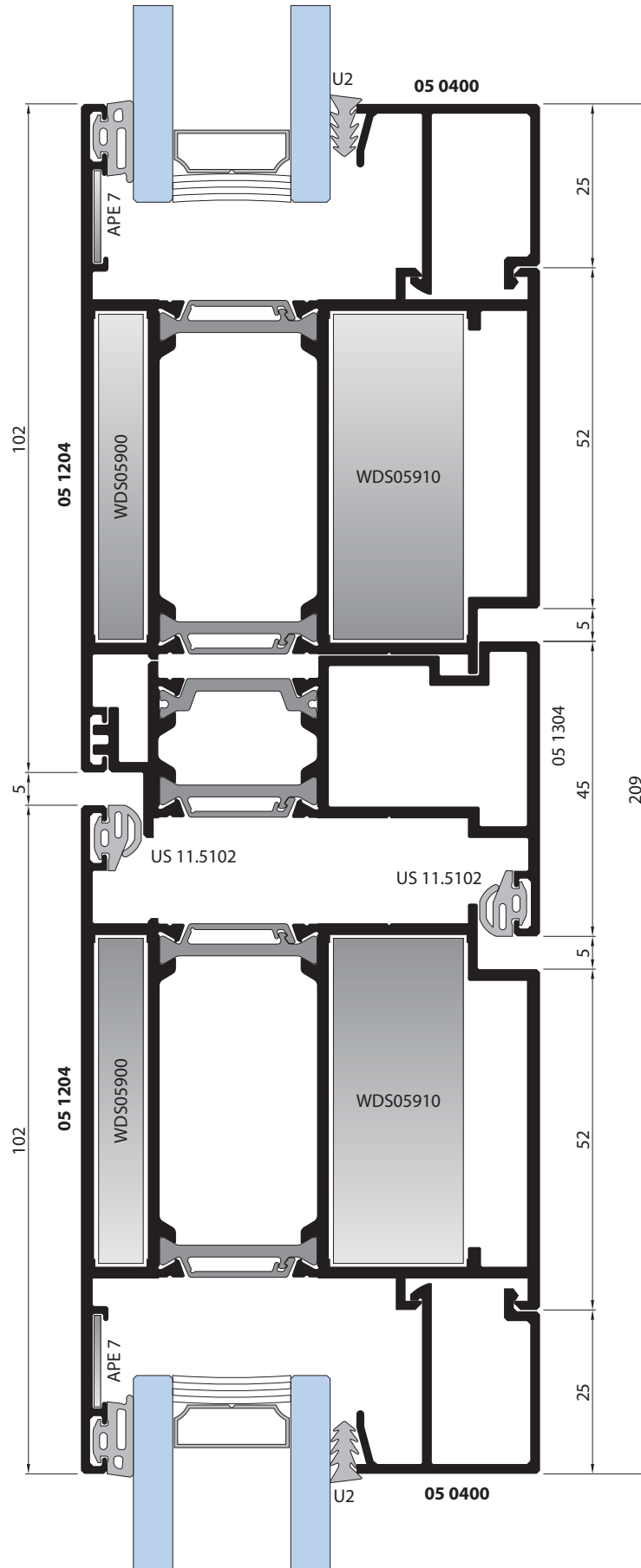
Series WDS 70

DOORS SECTIONS

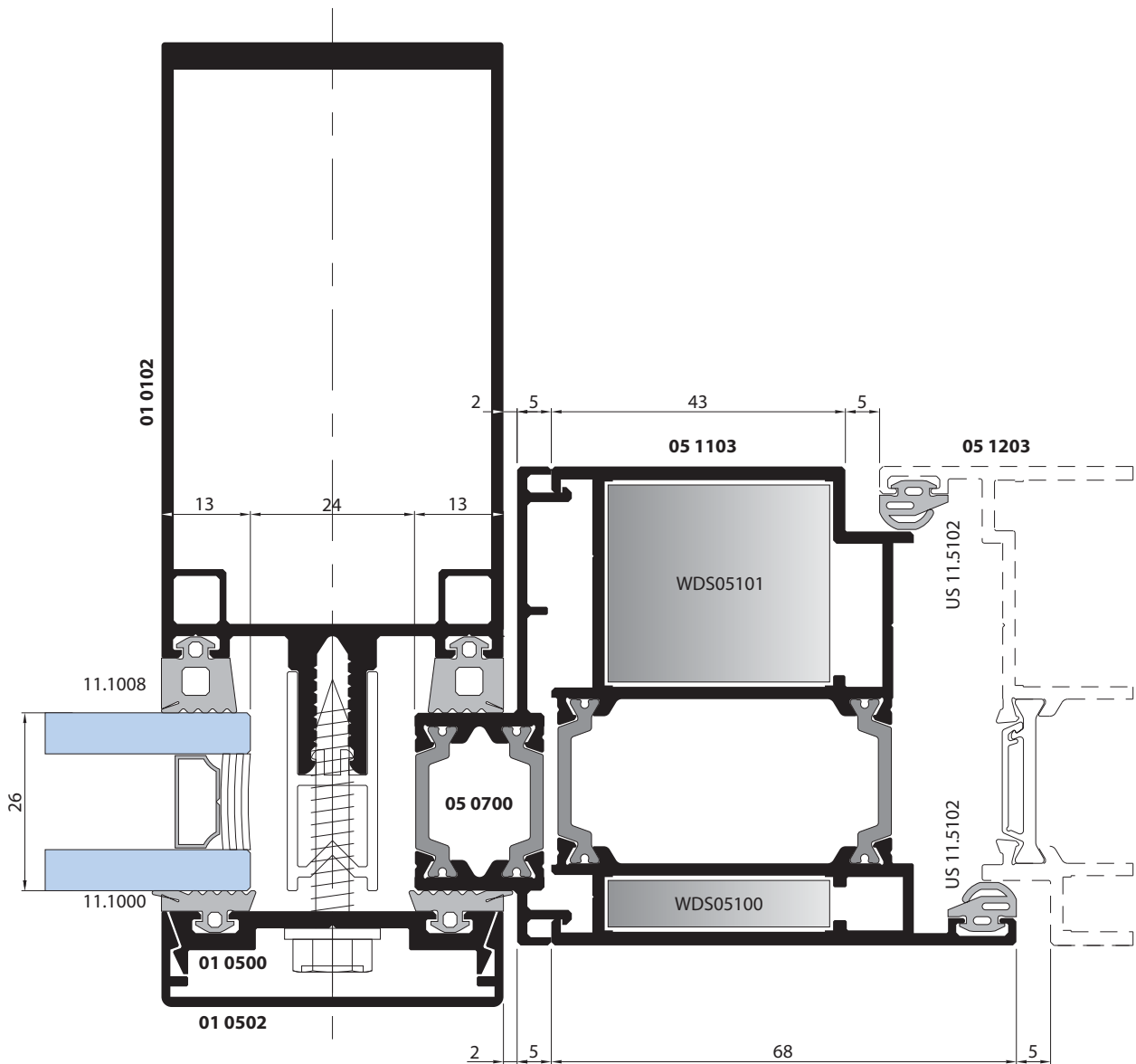
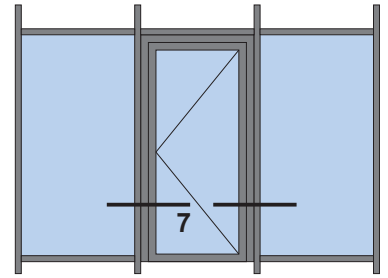


M 1:1

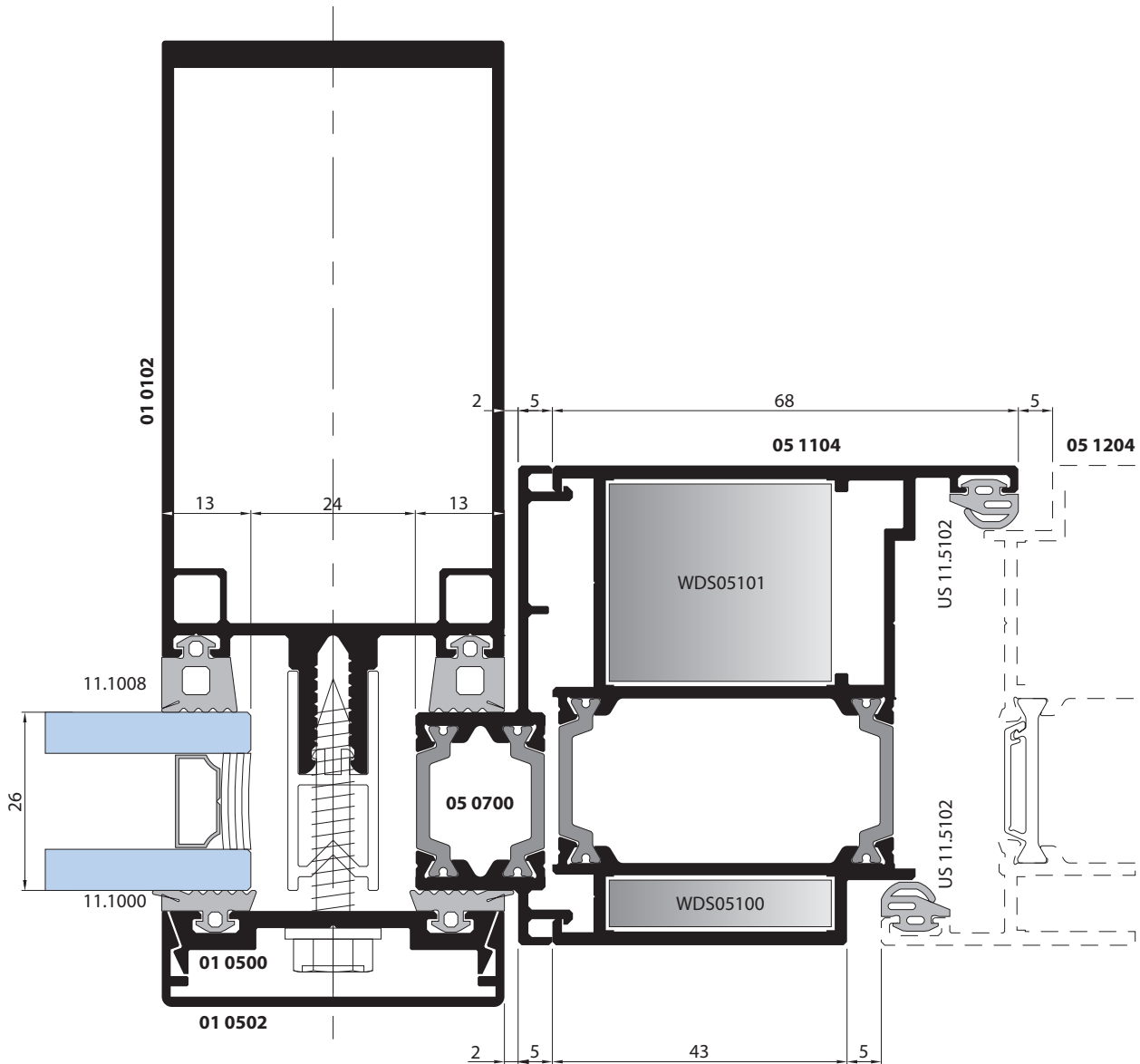
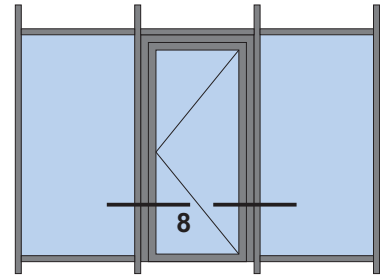
DOORS SECTIONS



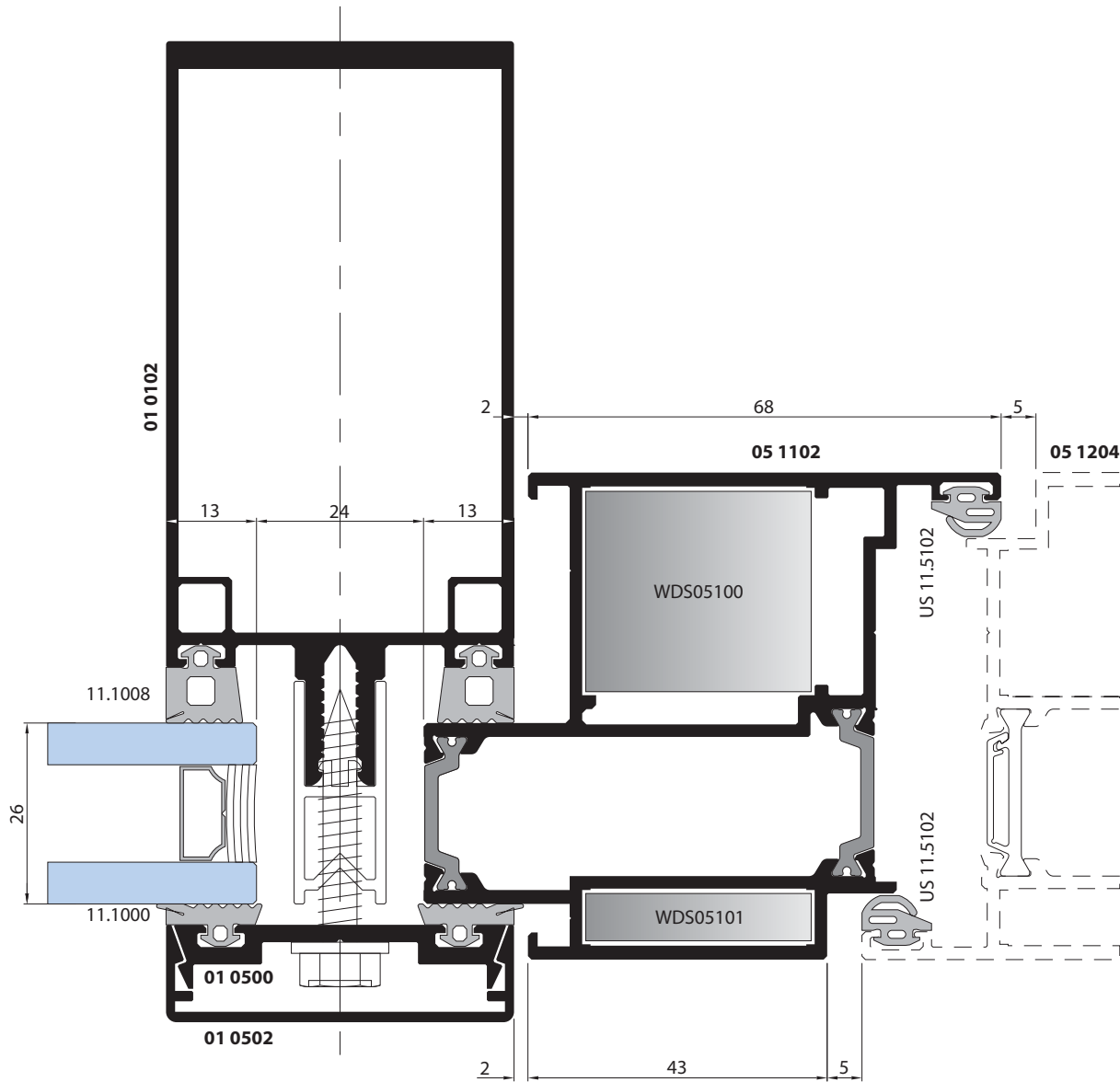
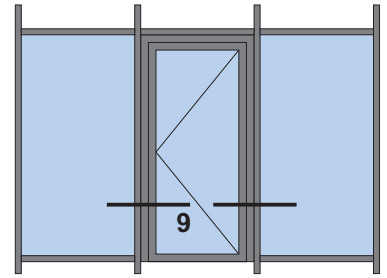
DOORS SECTIONS



DOORS SECTIONS



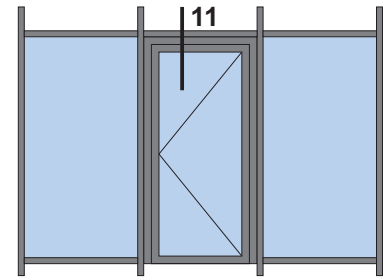
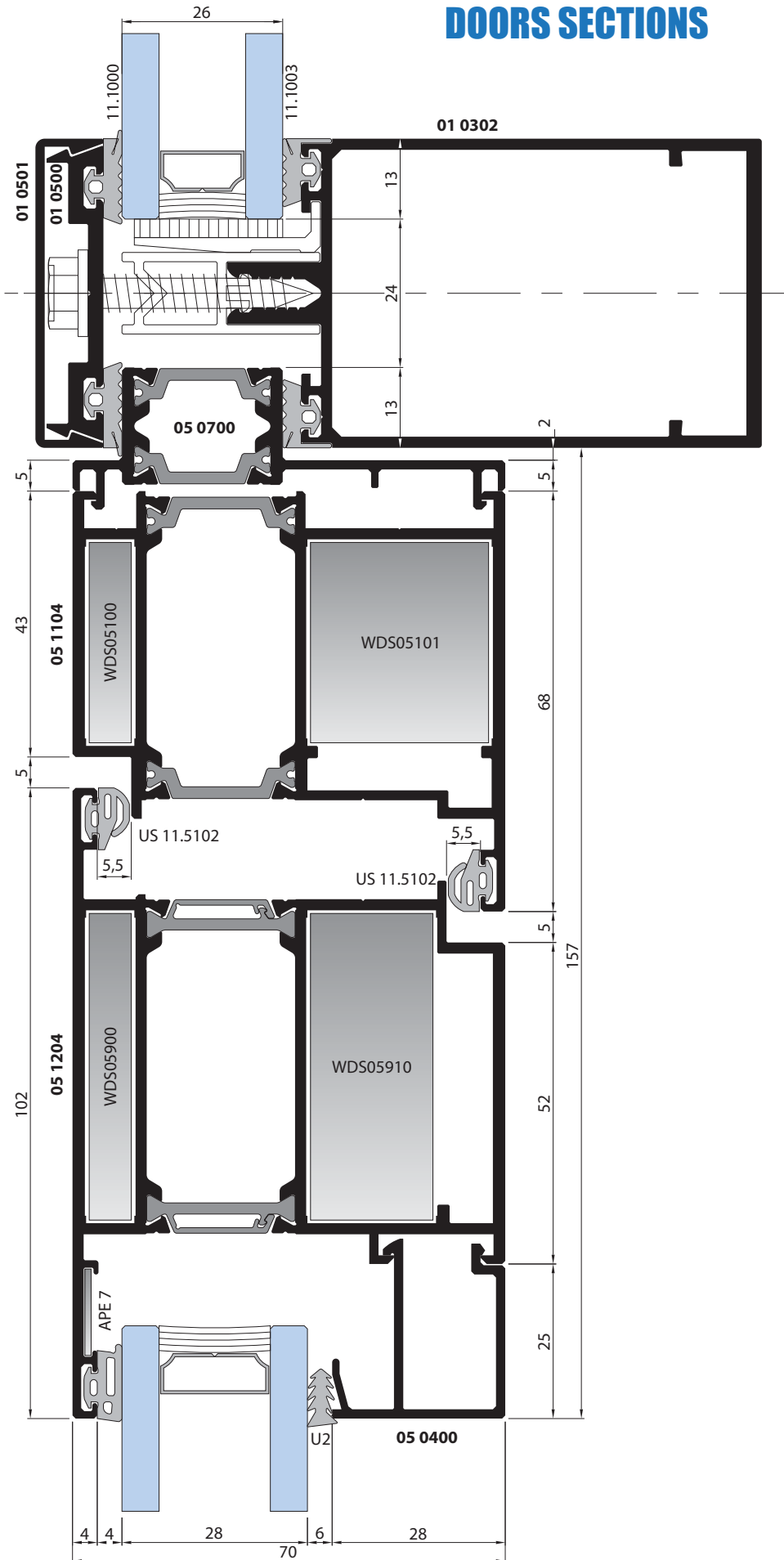
DOORS SECTIONS



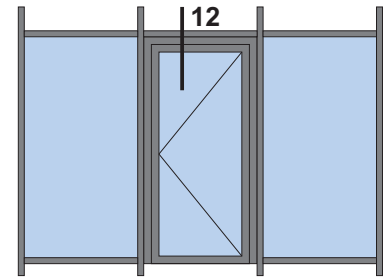
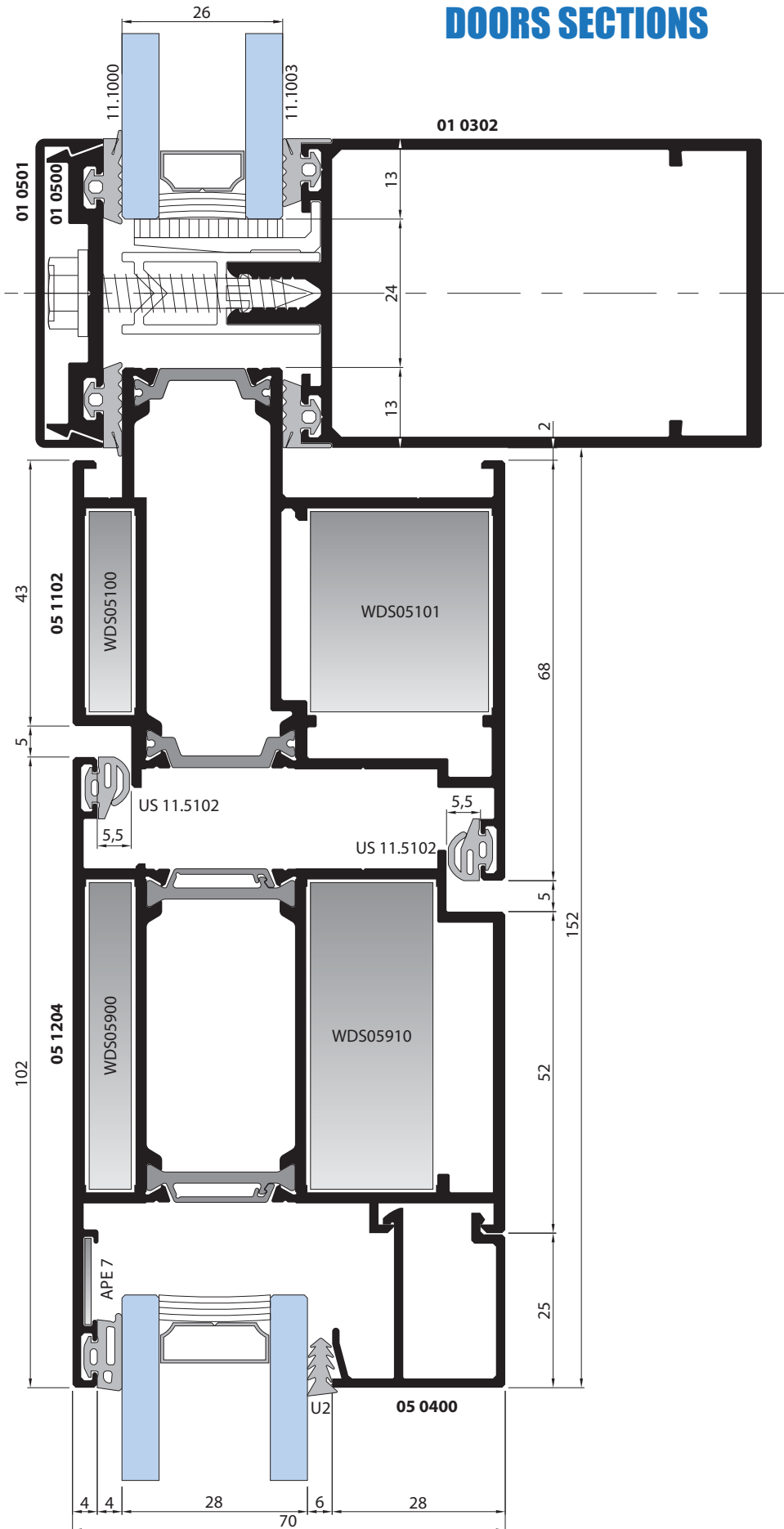
DOORS SECTIONS



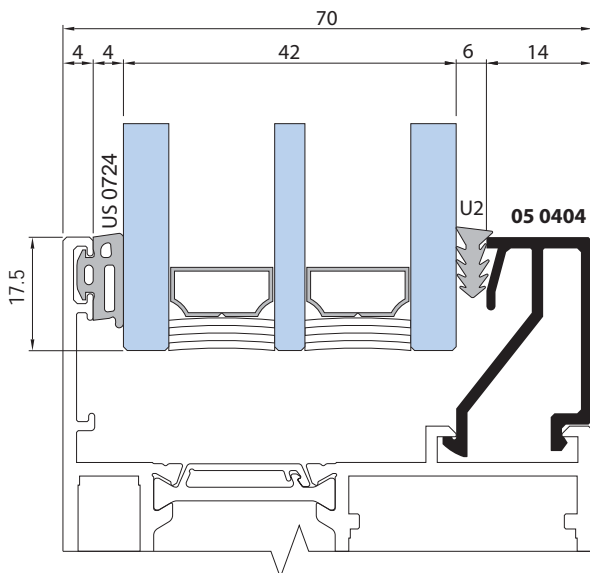
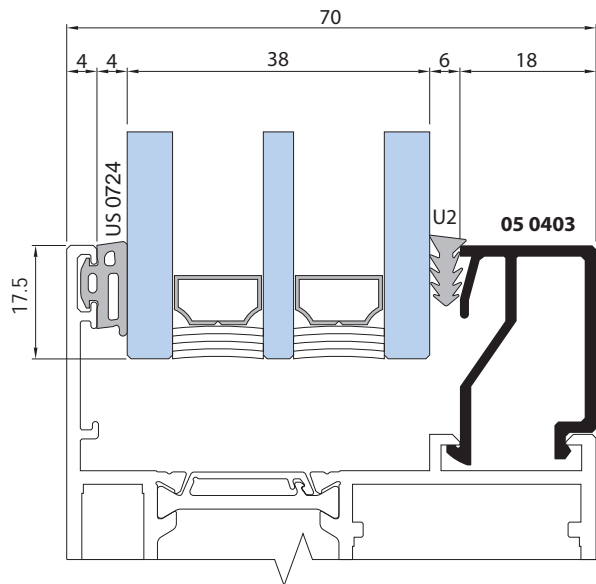
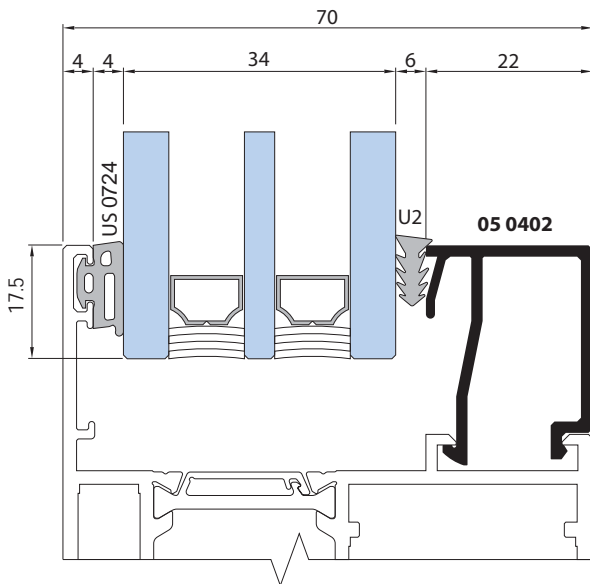
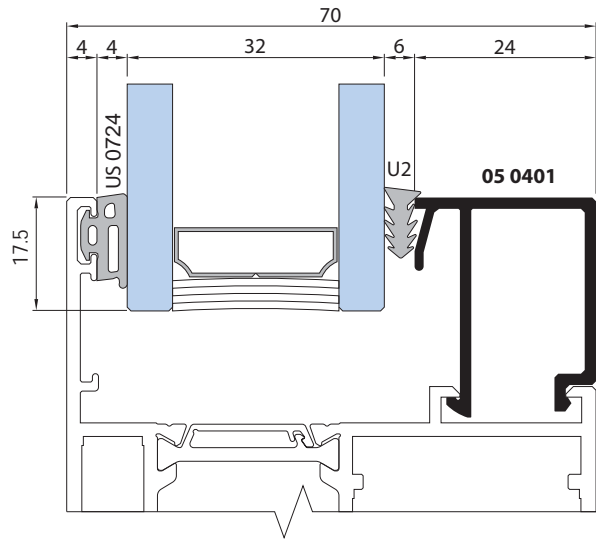
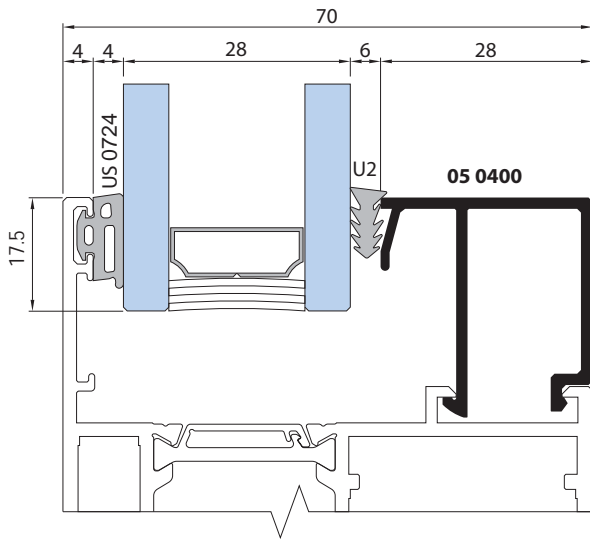
DOORS SECTIONS



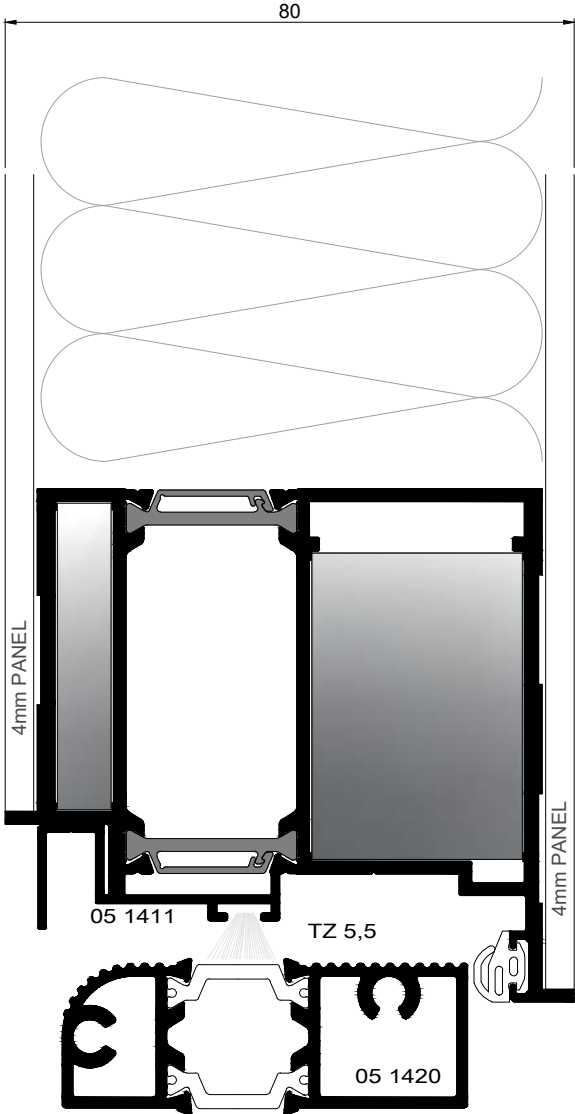
DOORS SECTIONS



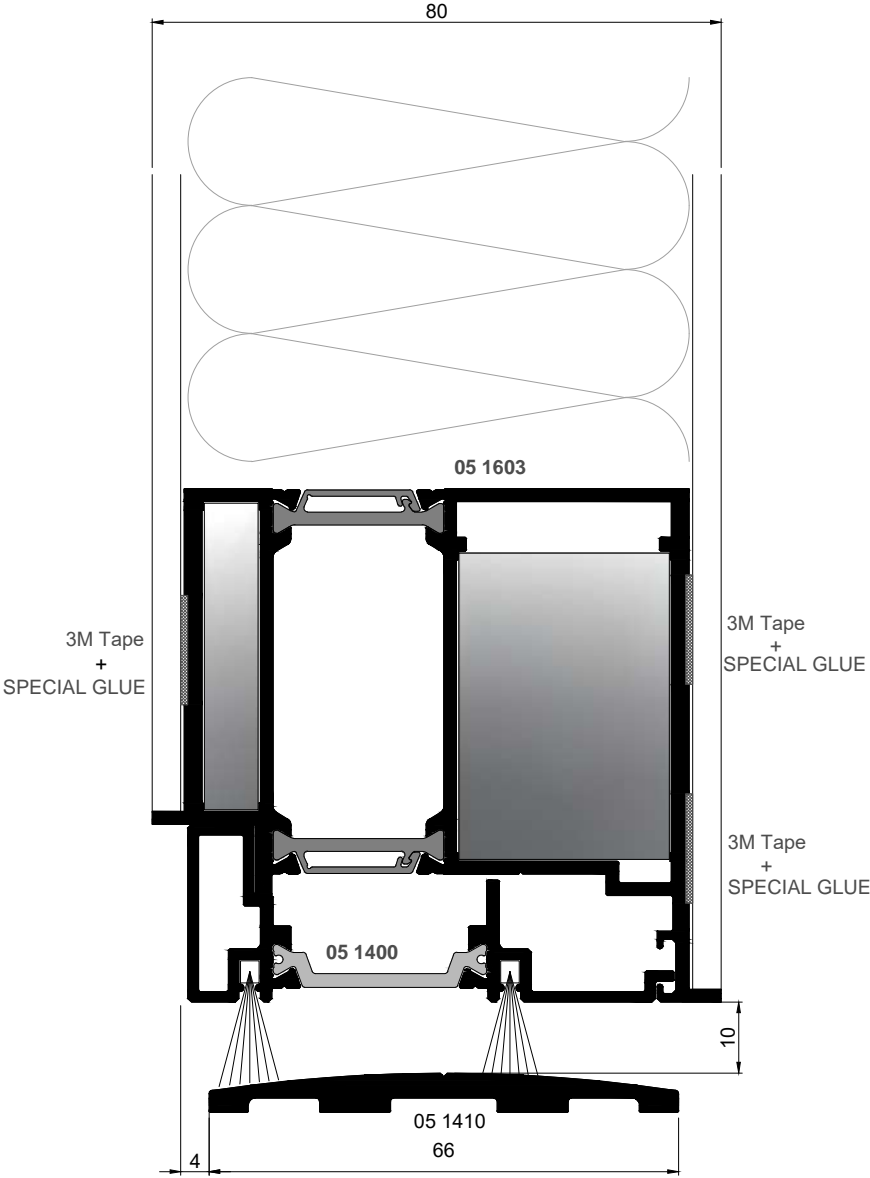
GLAZING OPTIONS



PANEL DOORS SECTIONS

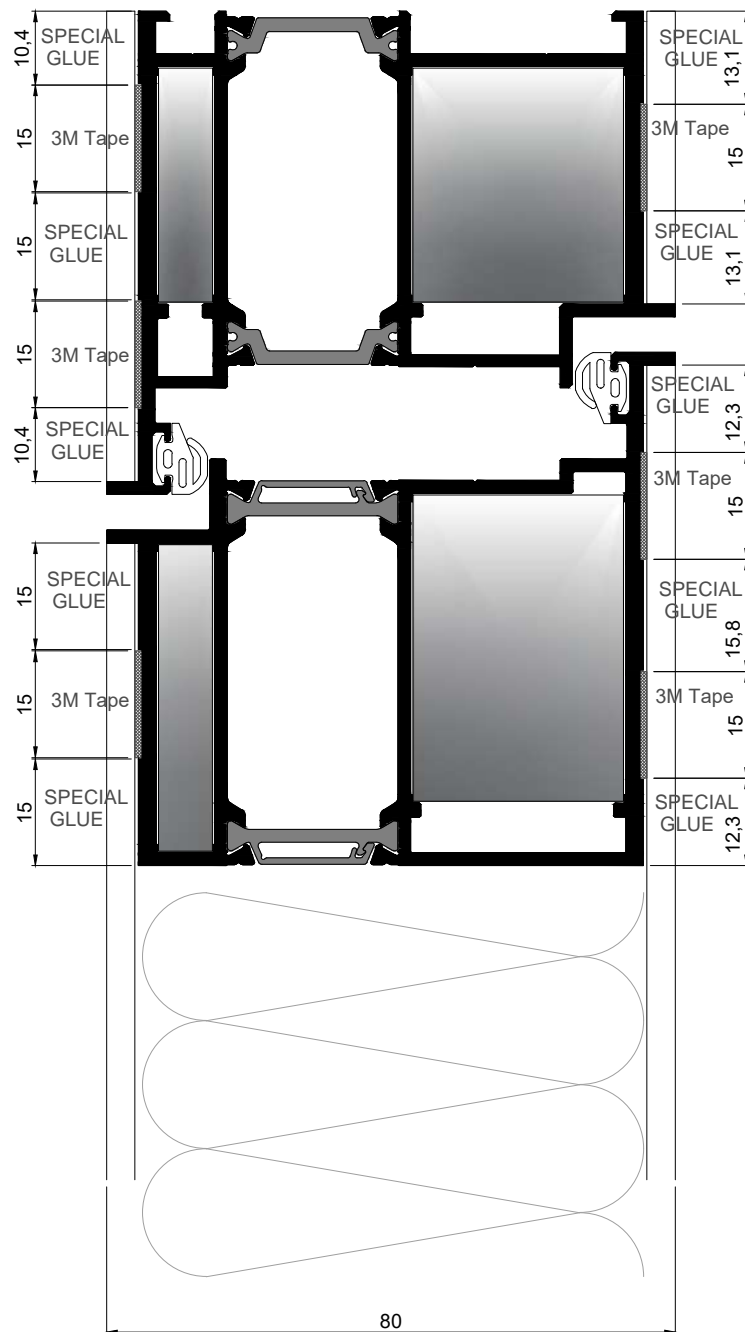


PANEL DOORS SECTIONS



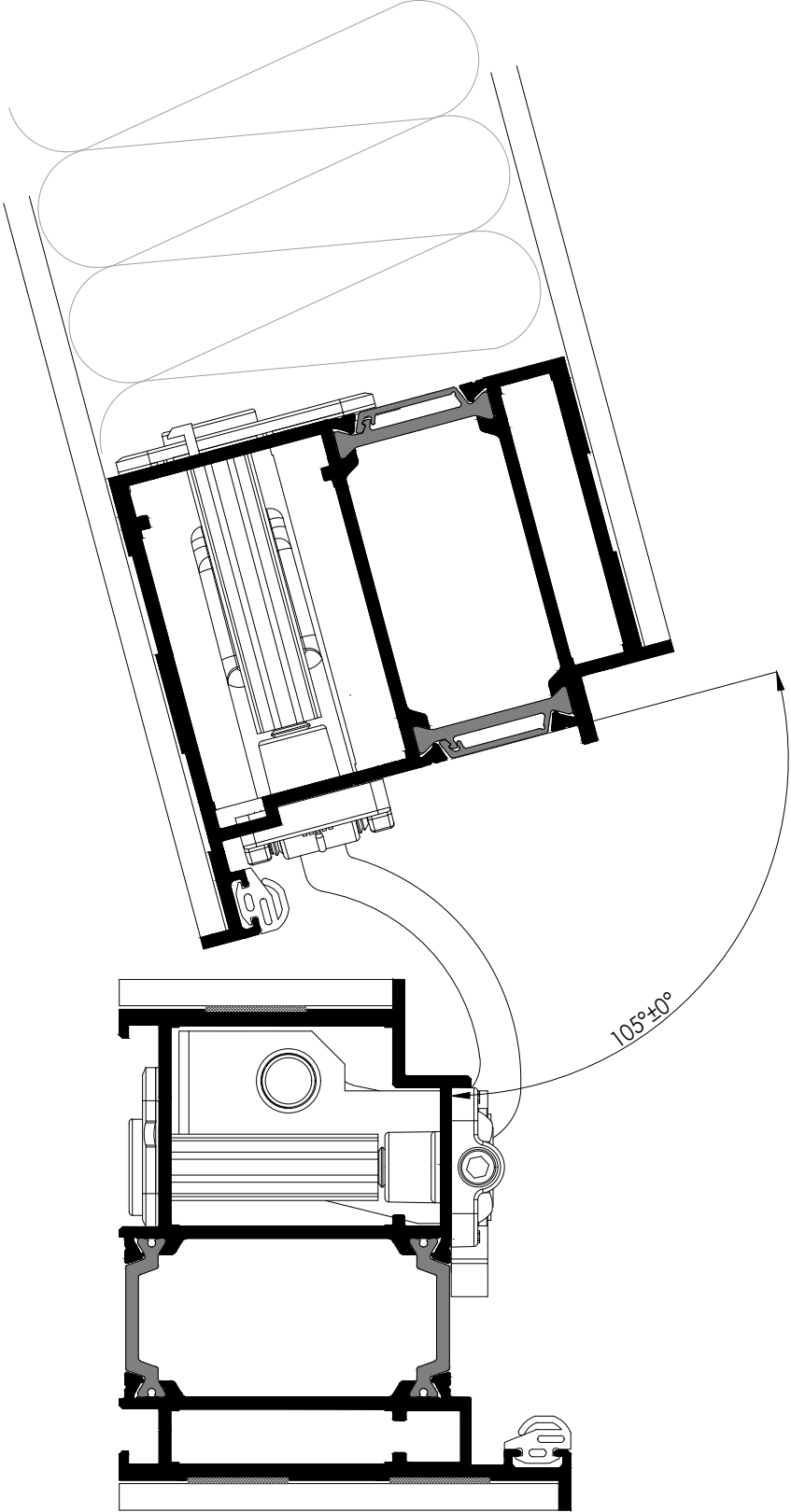
PANEL DOORS SECTIONS

Apply 3M Tape and glue for panel connection



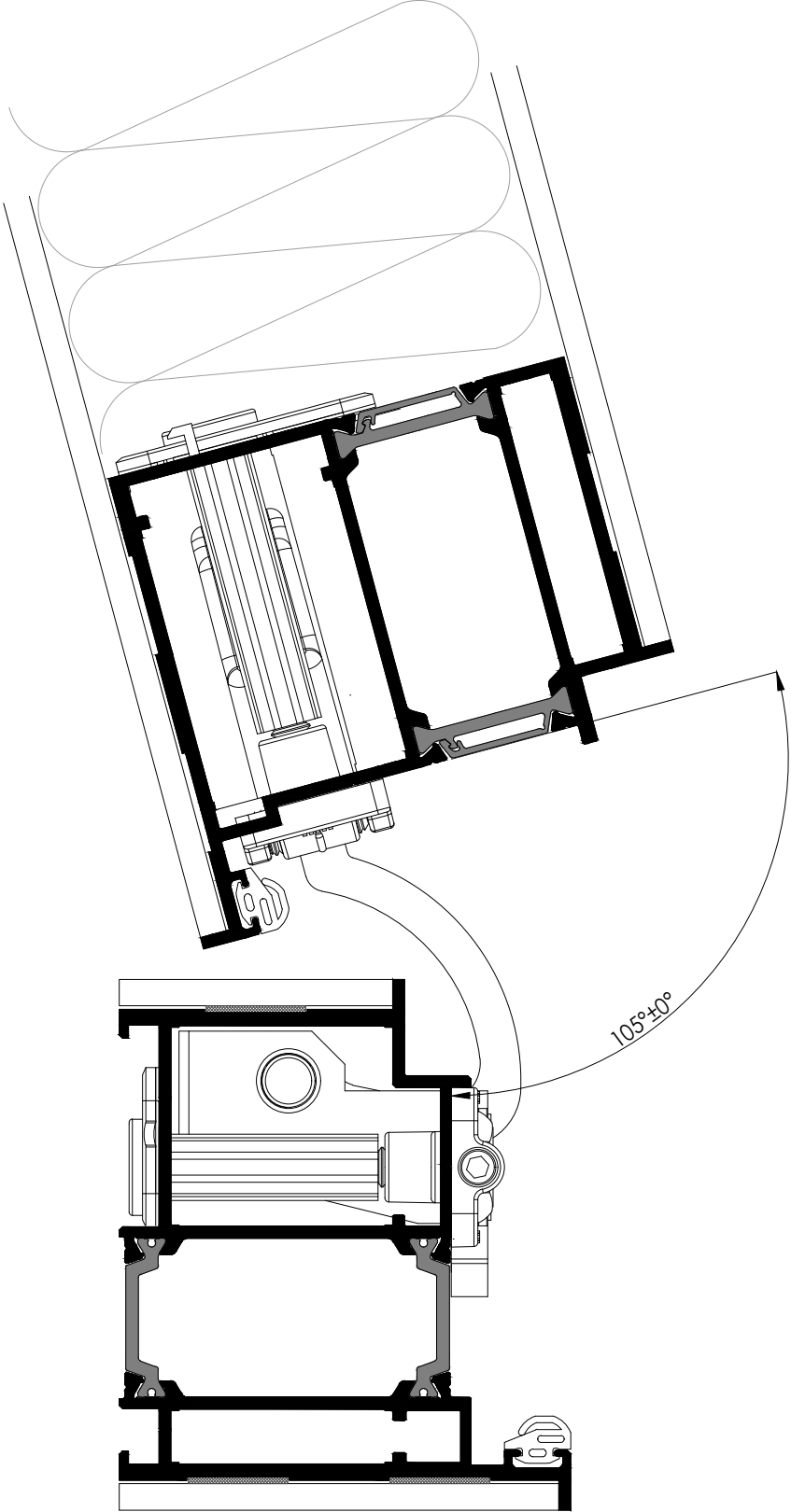
Series WDS 70

PANEL DOORS SECTIONS



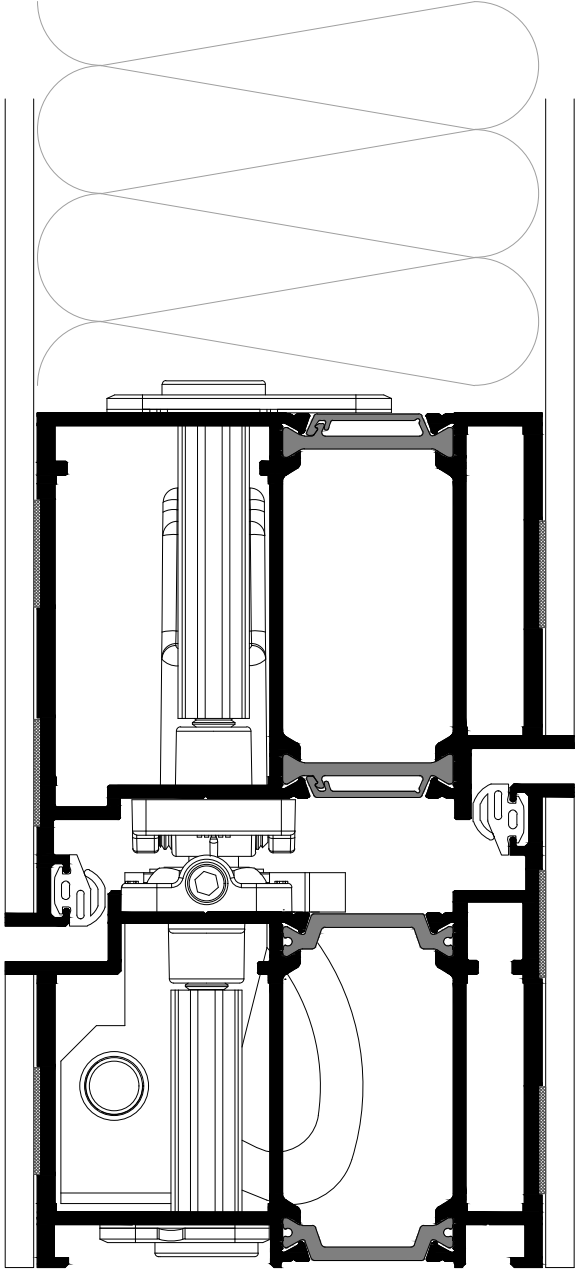
Series WDS 70

PANEL DOORS SECTIONS



**Series
WDS 70**

PANEL DOORS SECTIONS

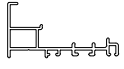





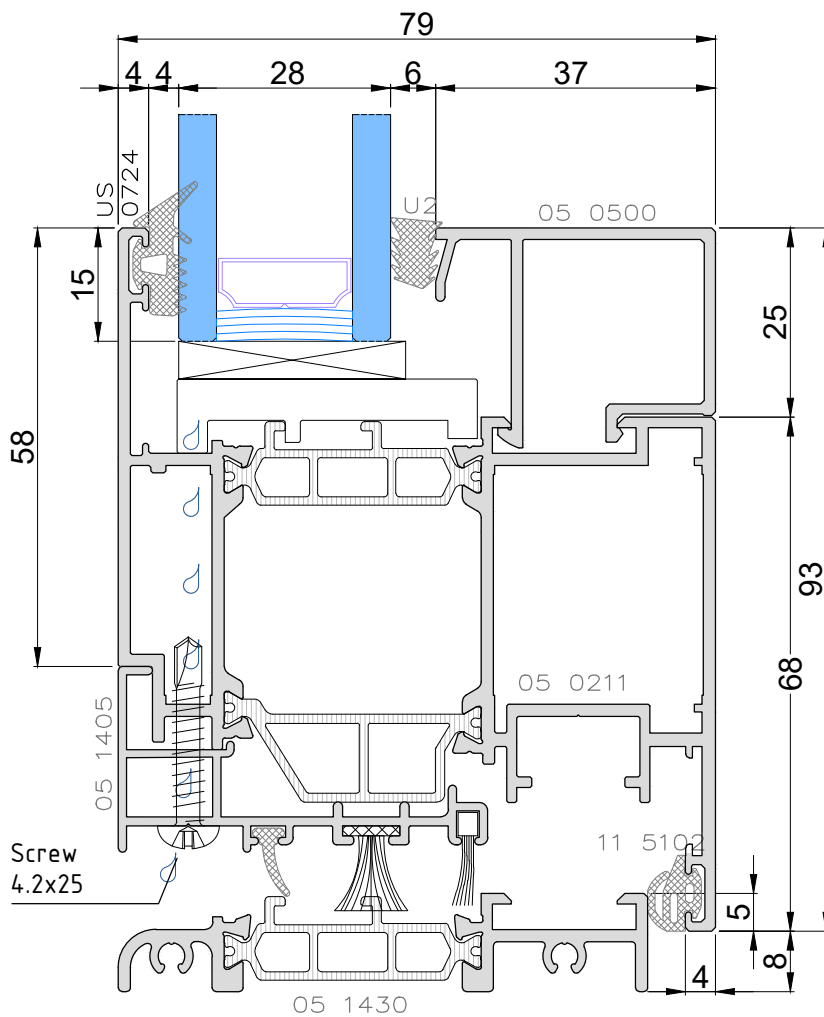
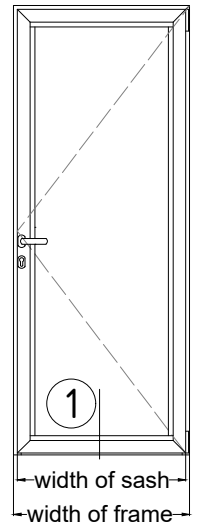
Series WDS 70

DOOR SECTIONS - LOW THRESHOLD

inward opening

calculation of cutting lenght for :

05 1405		L = width of sash - 80mm.	
05 1430		L = width of frame - 79mm. (*for 05 0100) L = width of frame - 99mm. (*for 05 0101)	

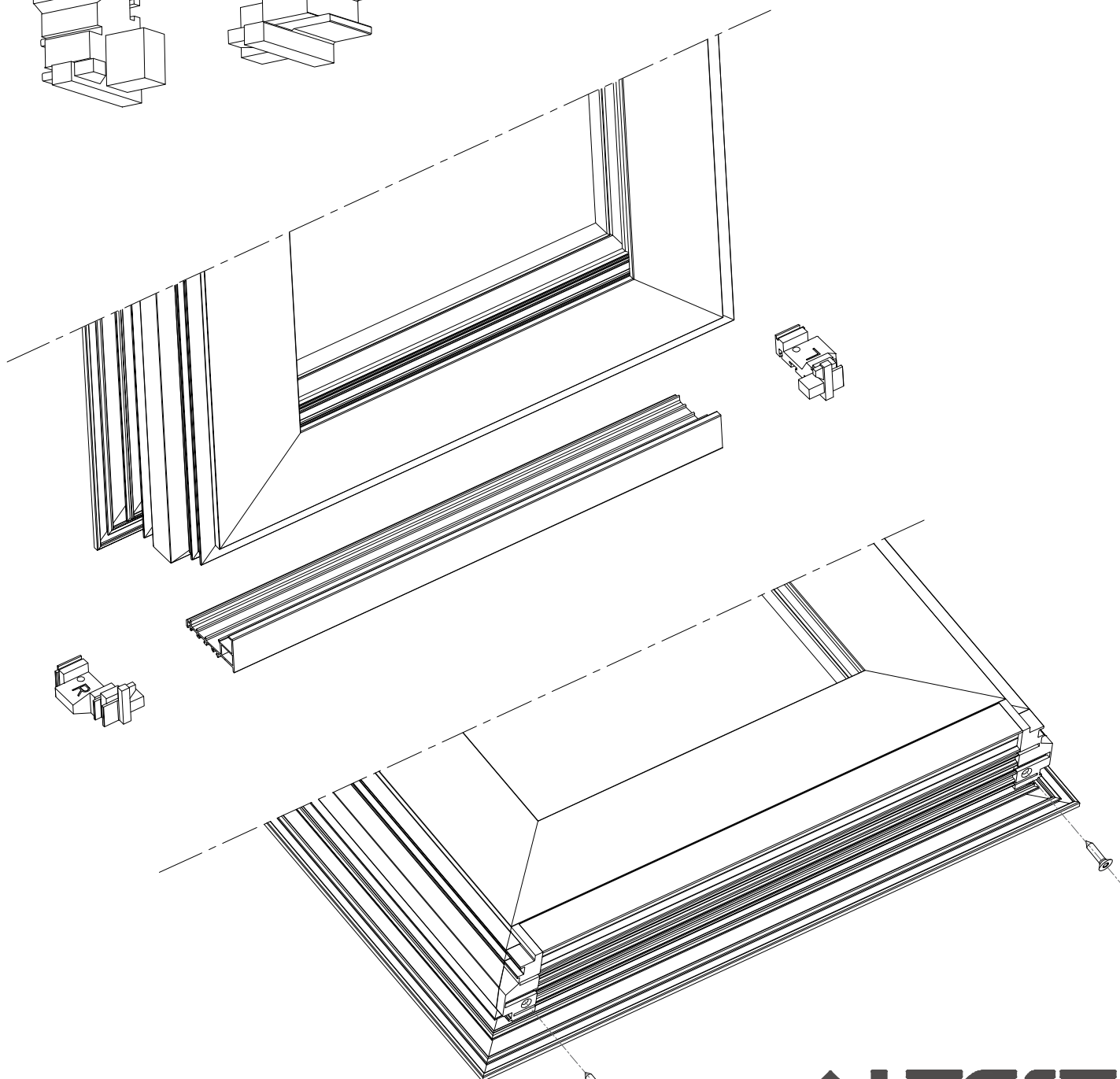
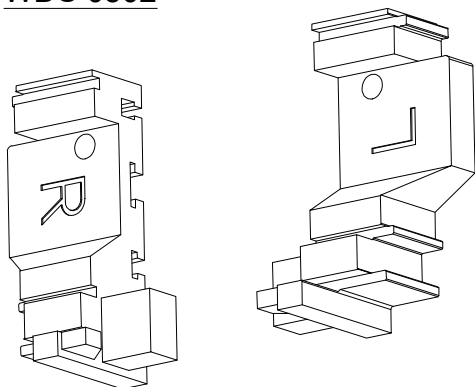
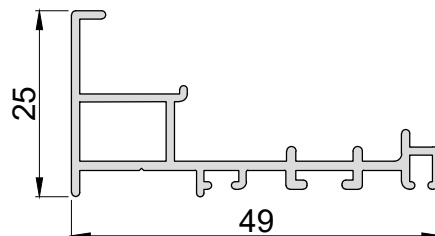


Series WDS 70

END CAPS FOR BRUSH SEAL - 05 1405

Set left + right :

WDS 0502



Screw 4.2x22

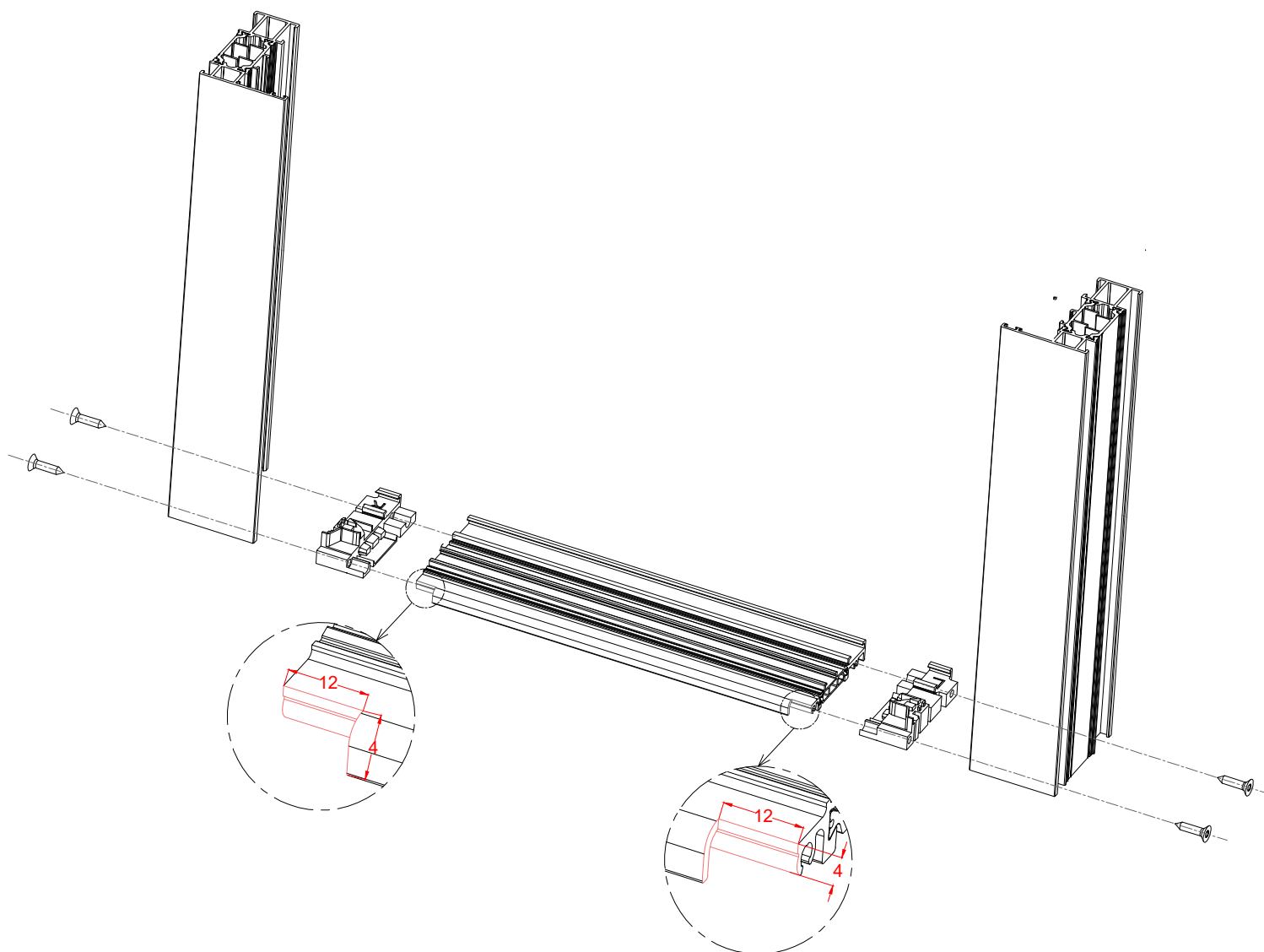
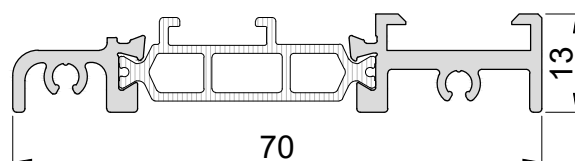
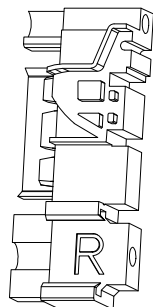
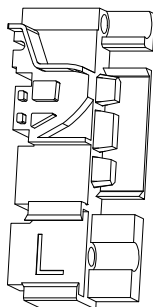
M 1:1

Series WDS 70

END CASP FOR LOW THRESHOLD - 05 1430

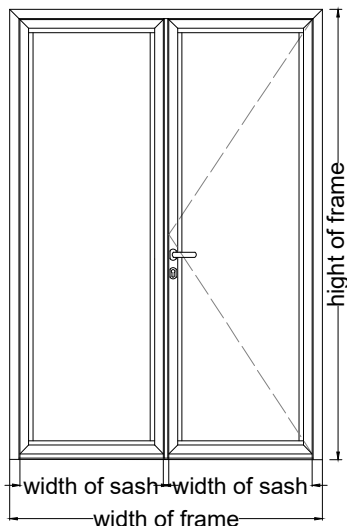
Set left + right :

WDS 0502



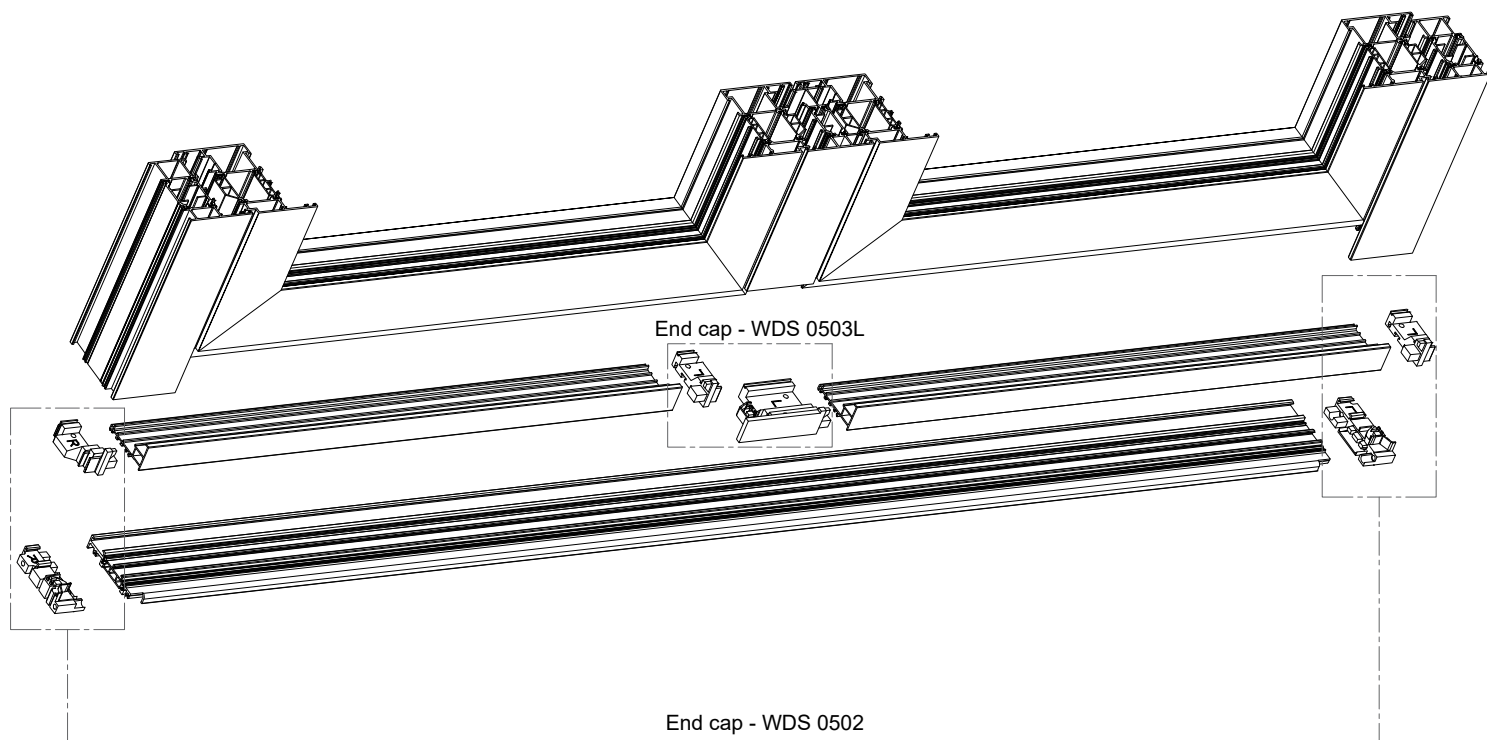
DOUBLE DOOR LOW THRESHOLD

inward opening

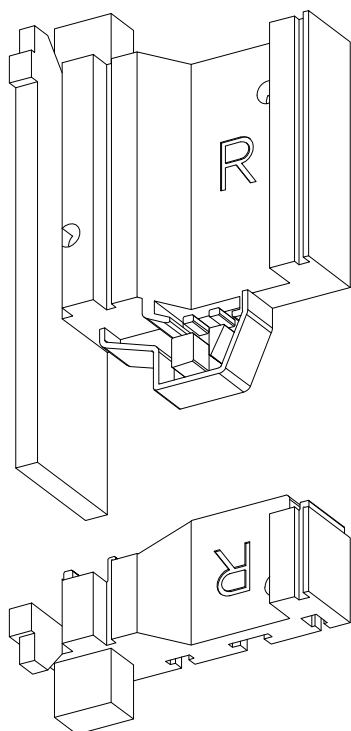


calculation of cutting length for :

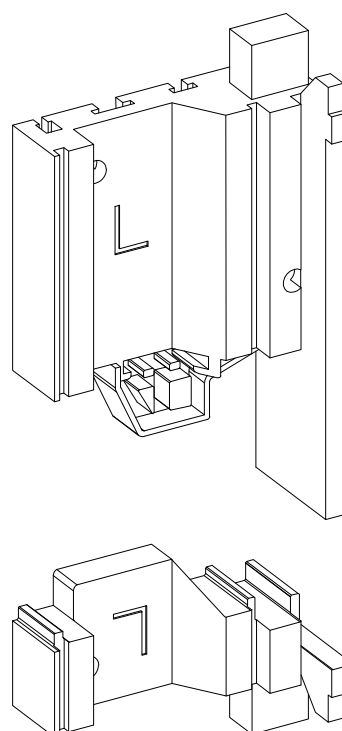
05 1405		L = width of sash - 80mm.	
05 1430		L = width of frame - 79mm. (*for 05 0100) L = width of frame - 99mm. (*for 05 0101)	
05 0322		L = height of frame - 97mm. (*for 05 0100) L = height of frame - 107mm. (*for 05 0101)	



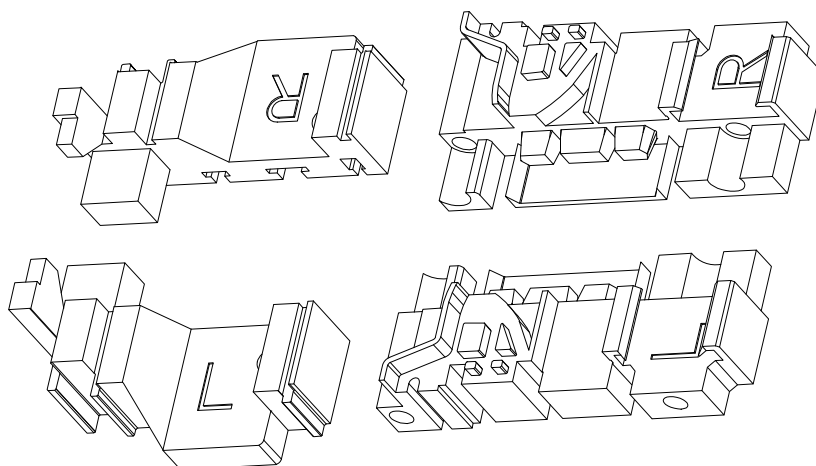
WDS 0503R - end cap for brush seal at double door with low threshold with left passive sash



WDS 0503L - end cap for brush seal at double door with low threshold with left passive sash



WDS 0502 - end cap for brush seal at sash : 050211 & 050205 and low threshold

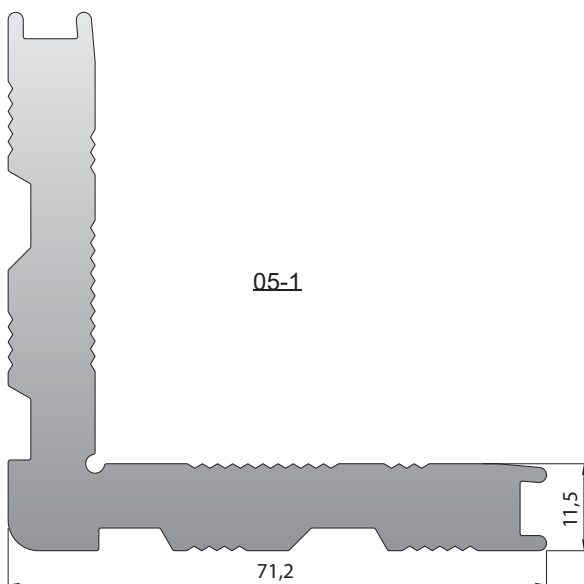
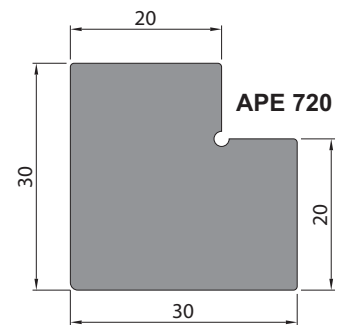
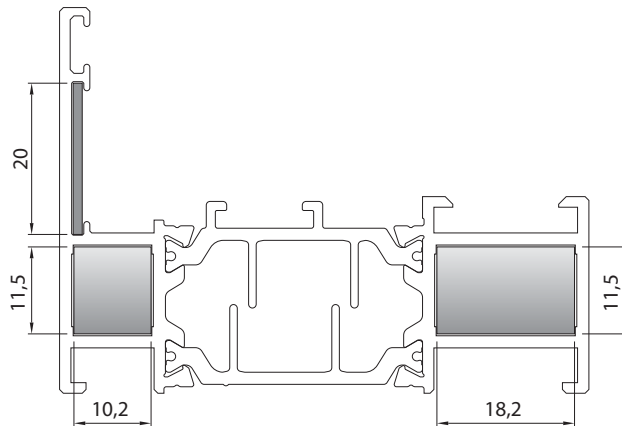


**Series
WDS 70**

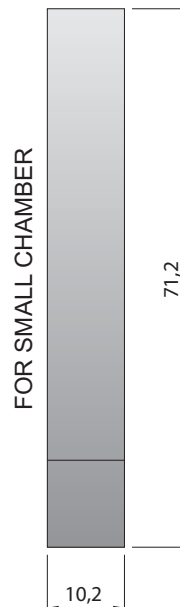
DETAILS

DETAILS

CONNECTION CORNERS FOR PROFILE - 05.0100

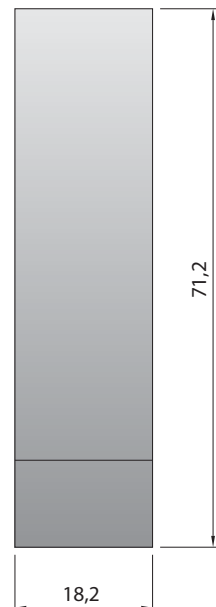


WDS05010



FOR SMALL CHAMBER

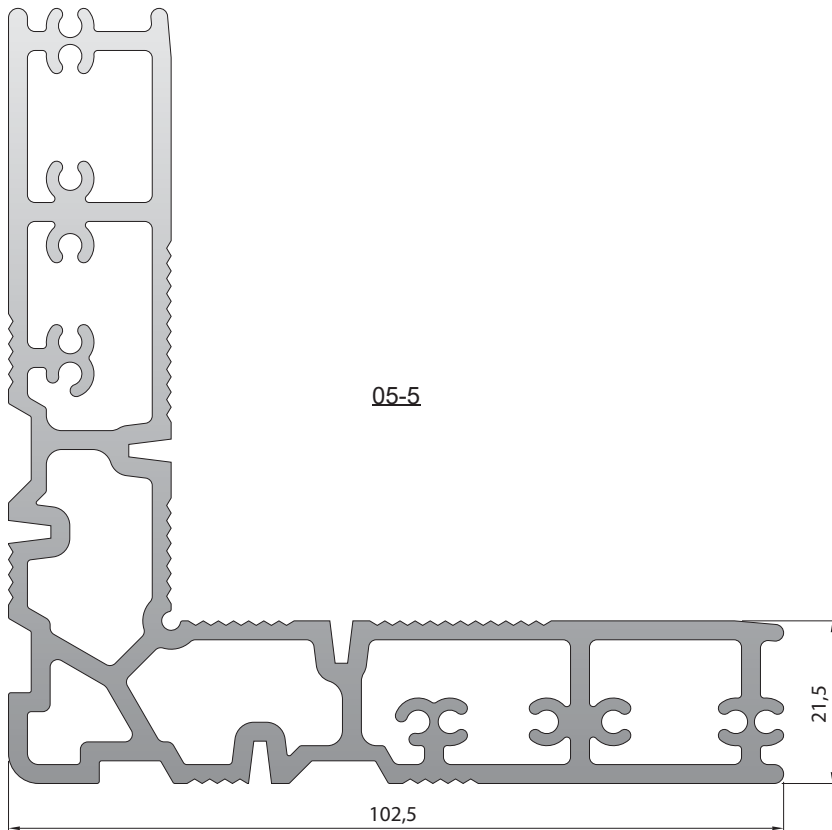
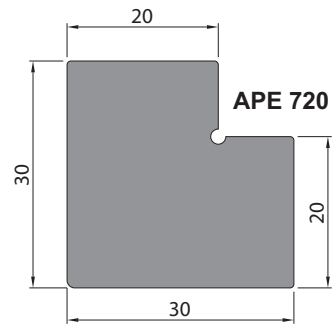
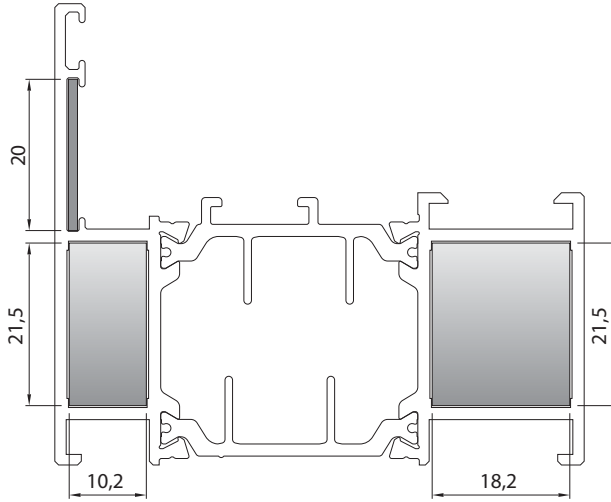
WDS05011



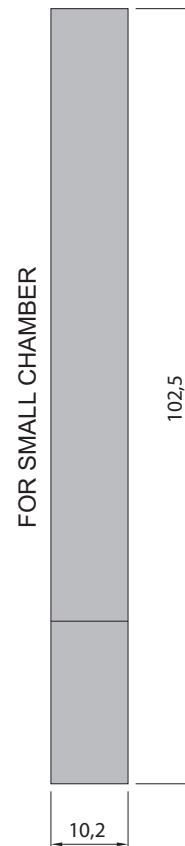
FOR BIG CHAMBER

DETAILS

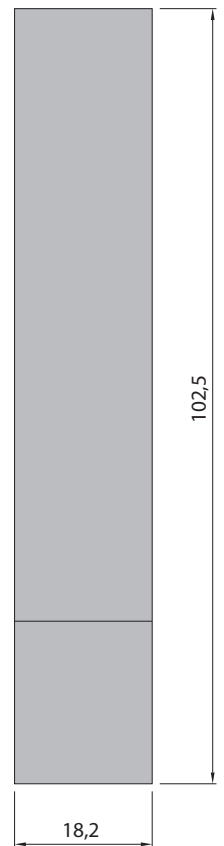
CONNECTION CORNERS FOR PROFILE - 05.0101



WDS05500

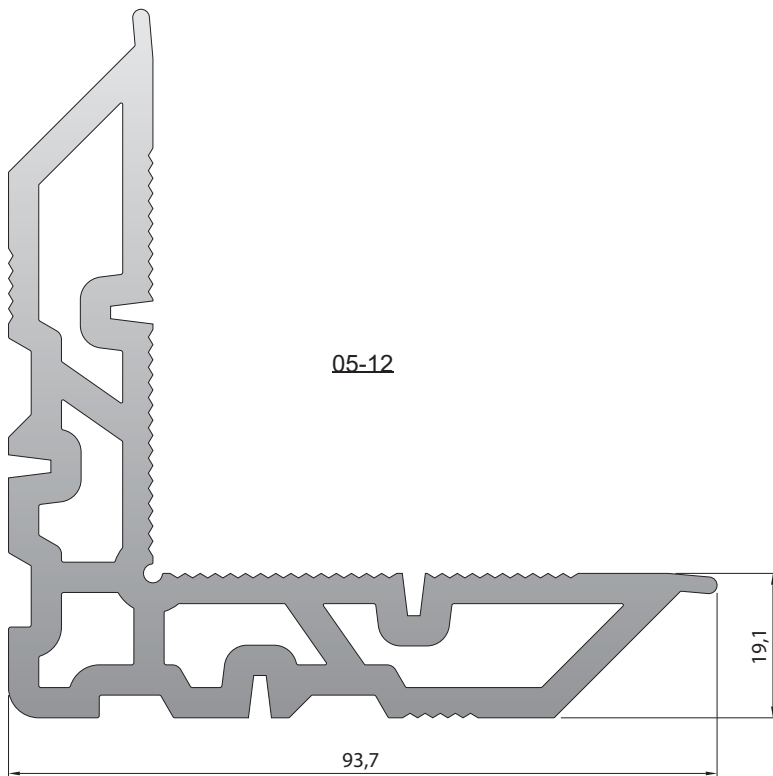
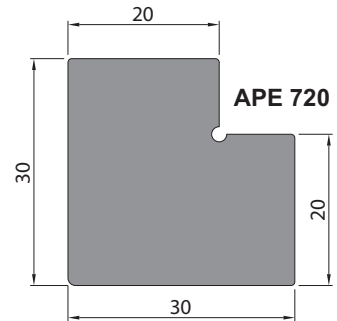
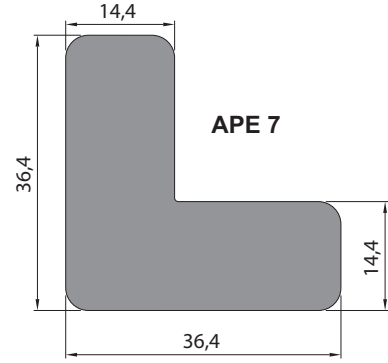
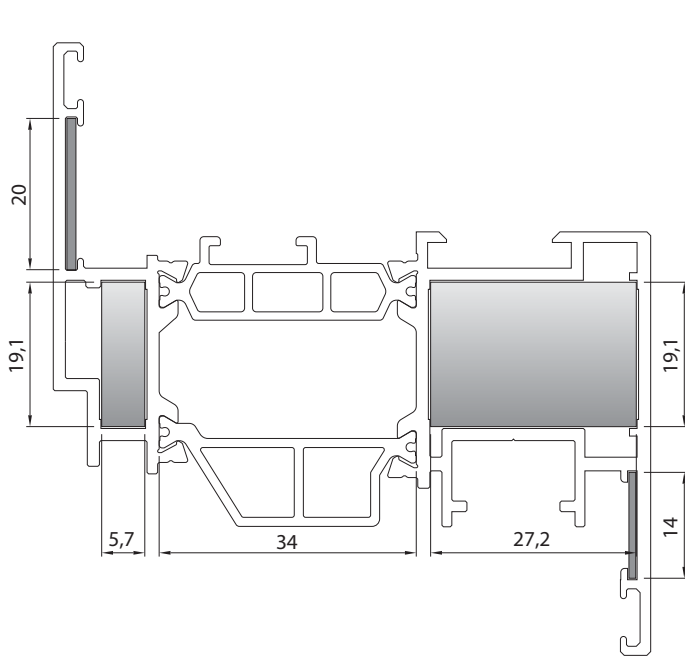


WDS05510

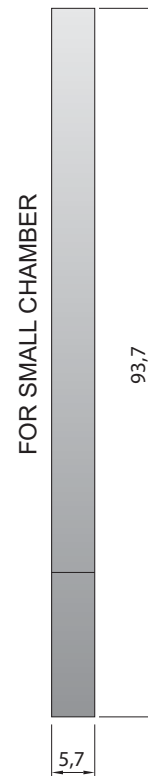


DETAILS

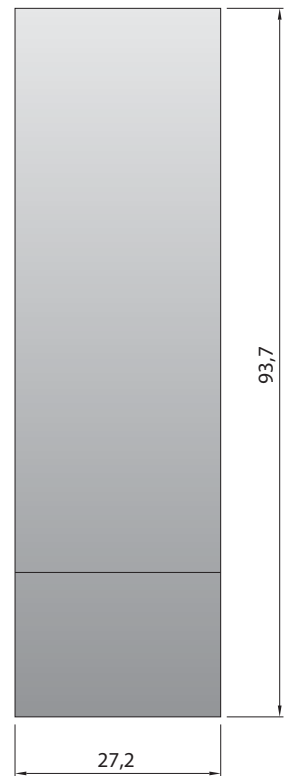
CONNECTION CORNERS FOR PROFILE - 05.0205



WDS05120

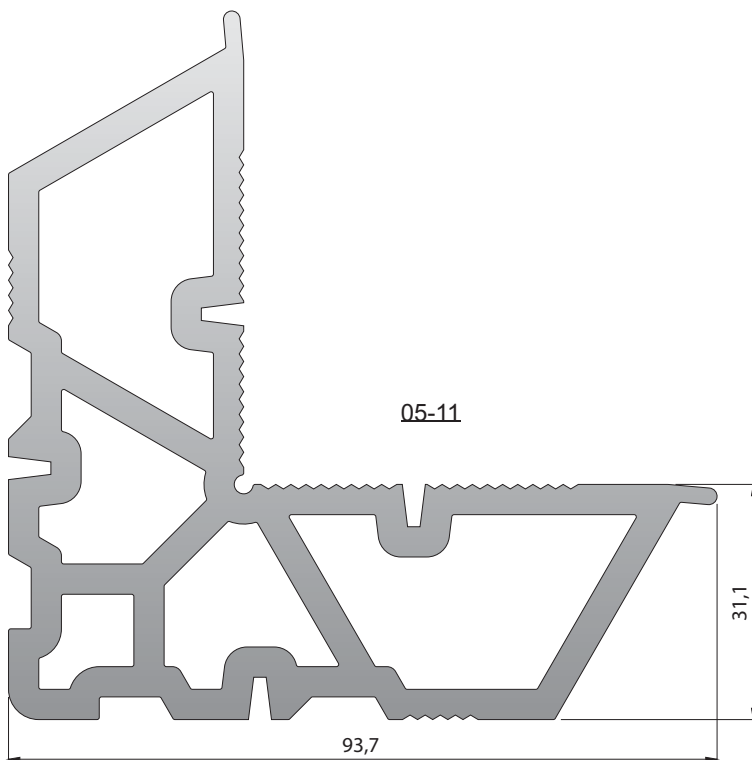
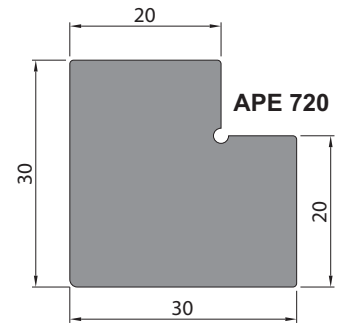
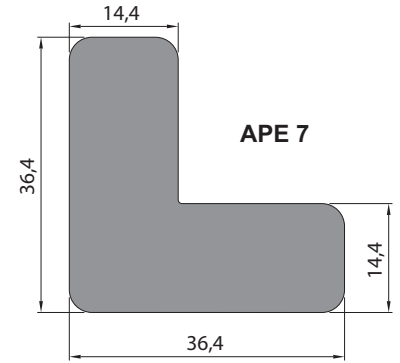
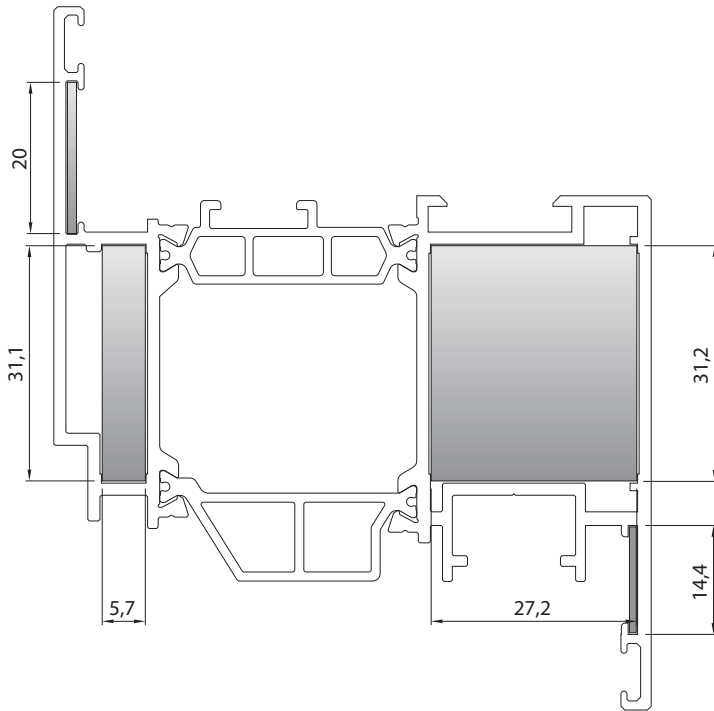


WDS05121



DETAILS

CONNECTION CORNERS FOR PROFILE - 05.0211



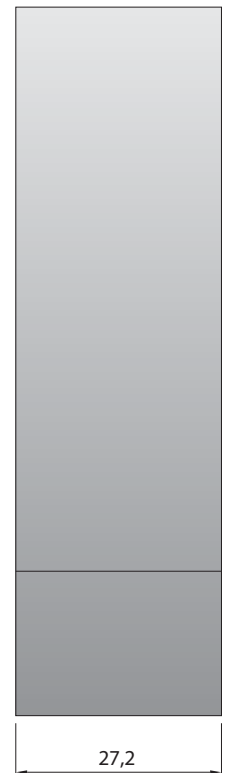
WDS05110

FOR SMALL CHAMBER



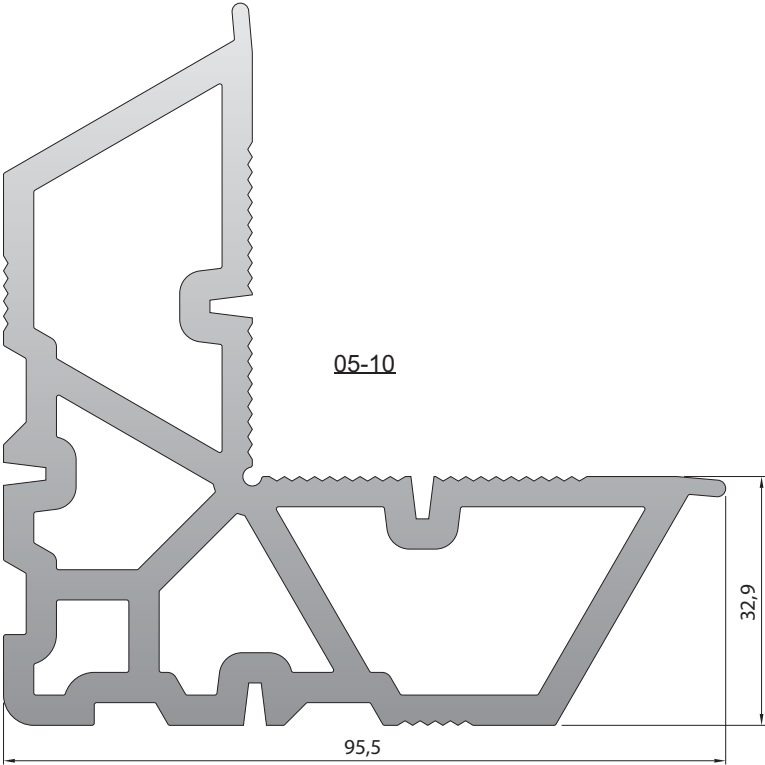
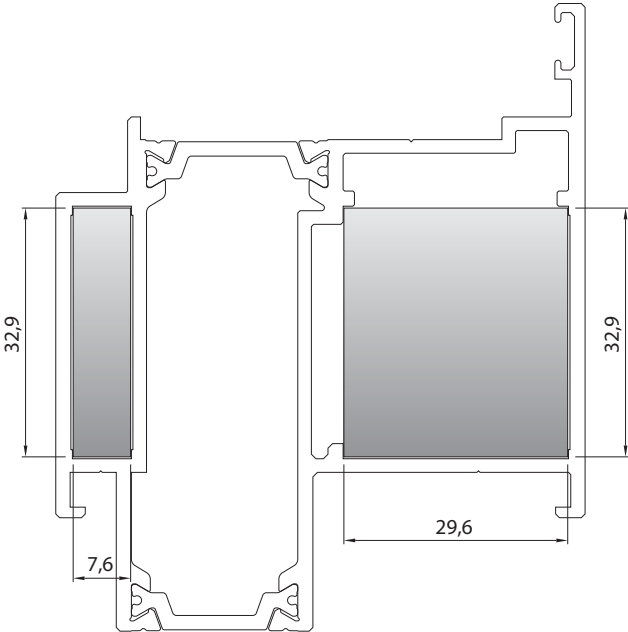
WDS05111

FOR BIG CHAMBER

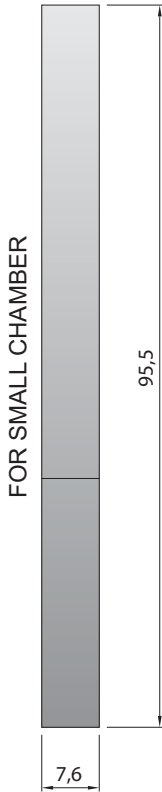


DETAILS

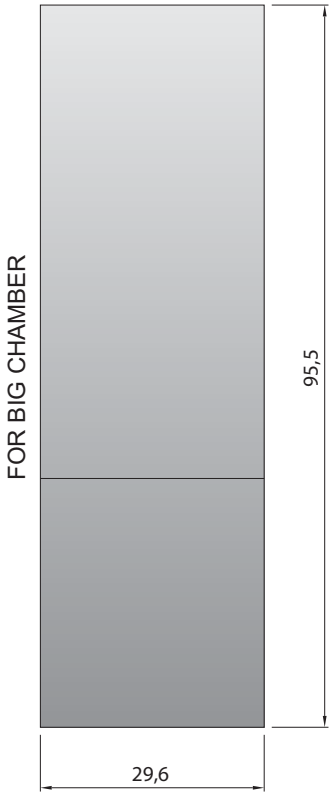
CONNECTION CORNERS FOR PROFILE - 05.1102



WDS05100

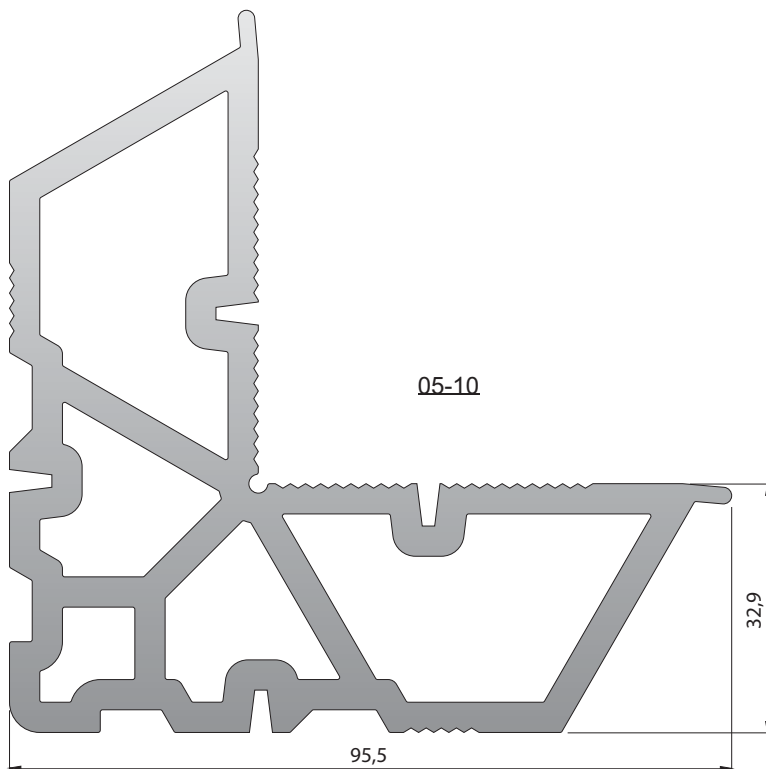
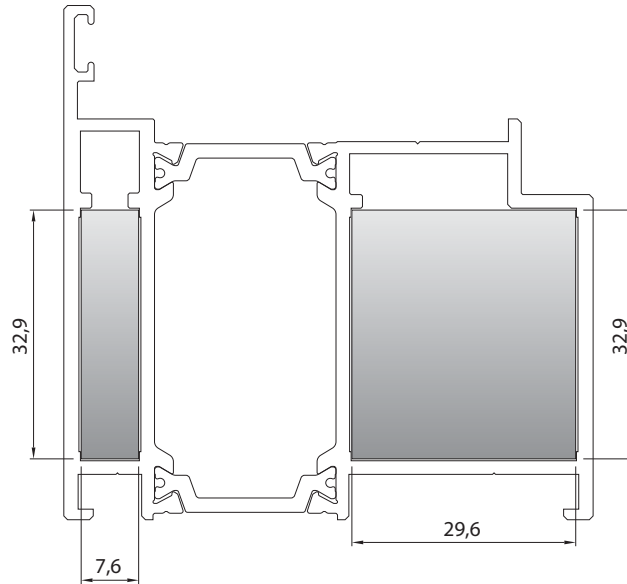


WDS05101



DETAILS

CONNECTION CORNERS FOR PROFILE - 05.1103



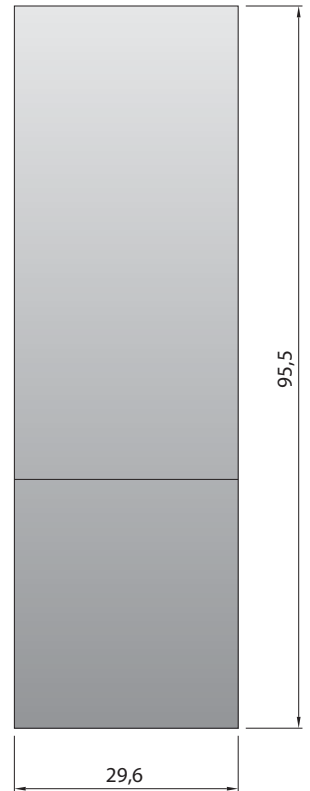
WDS05100

FOR SMALL CHAMBER



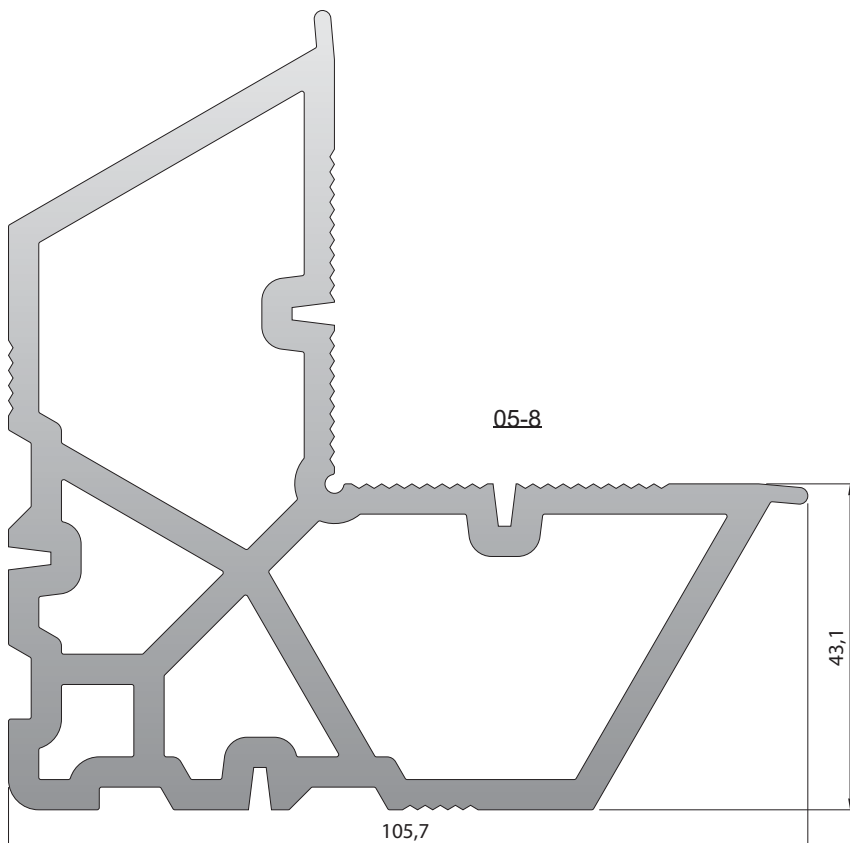
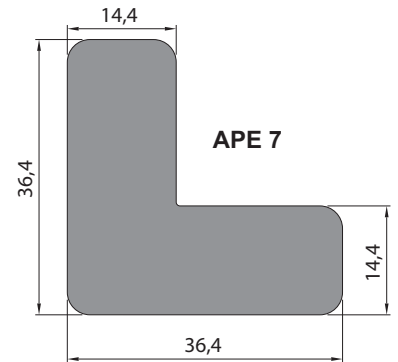
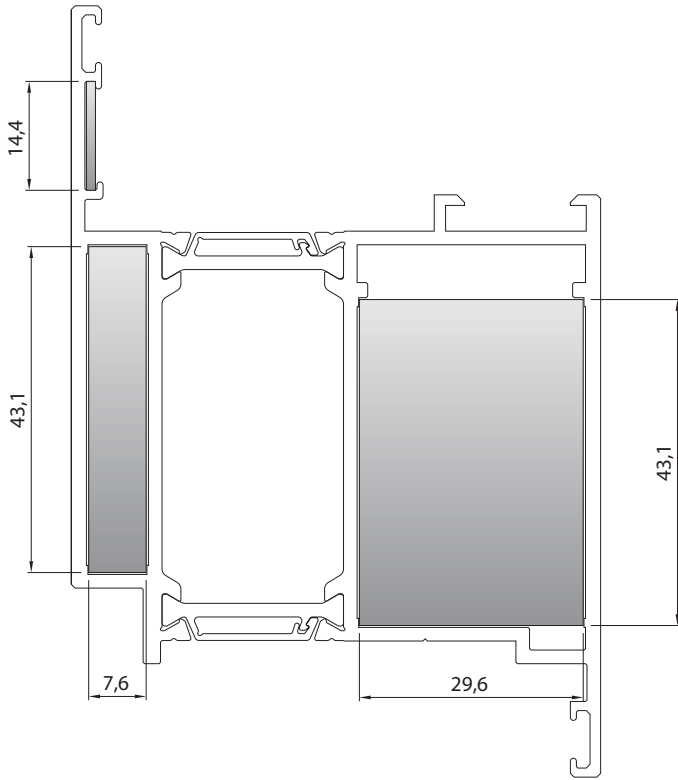
WDS05101

FOR BIG CHAMBER



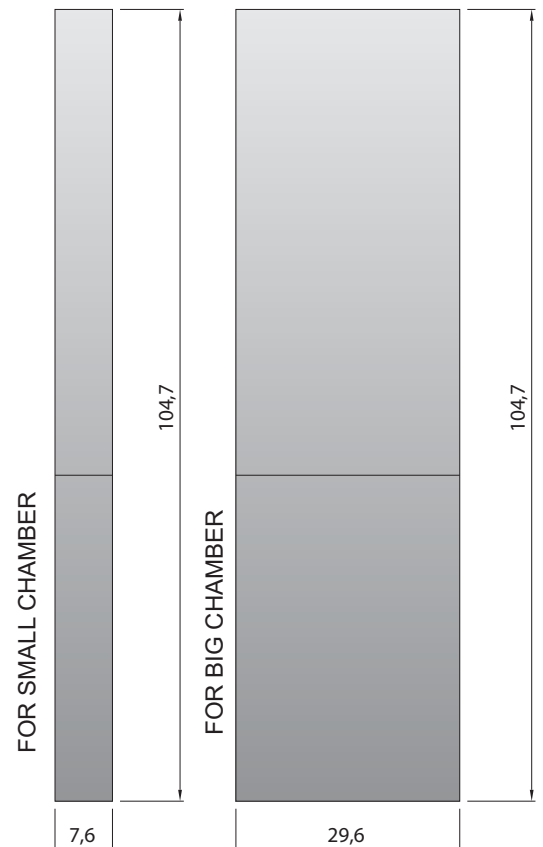
DETAILS

CONNECTION CORNERS FOR PROFILE - 05.1203



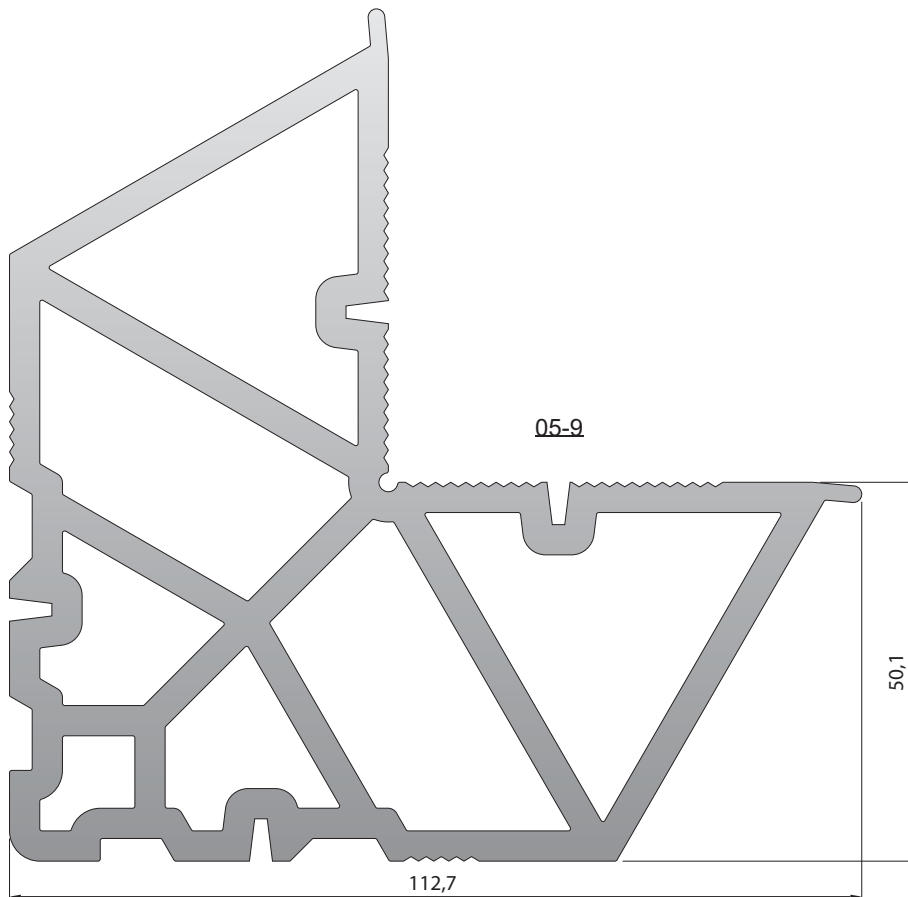
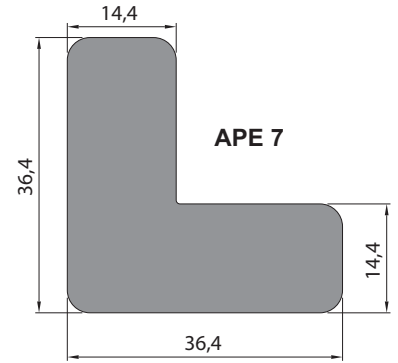
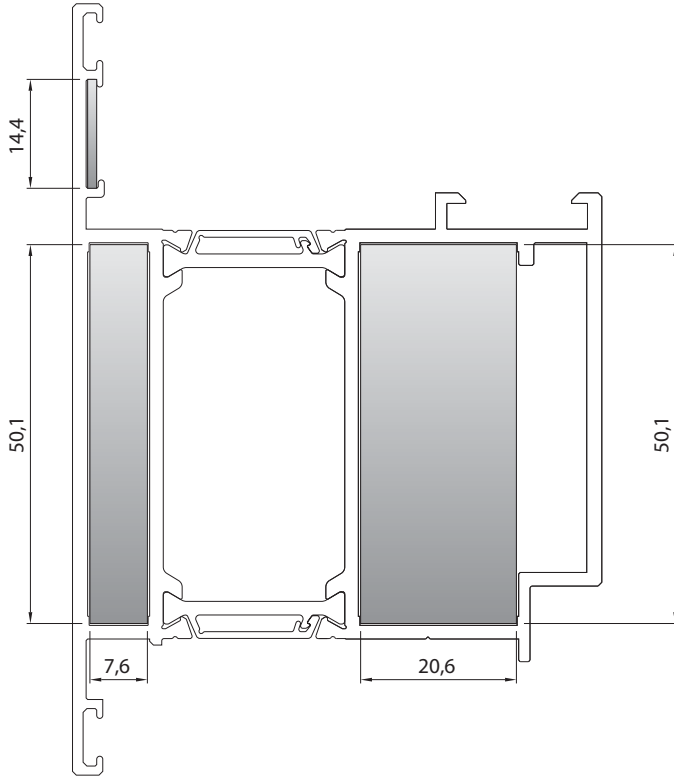
WDS05800

WDS05810



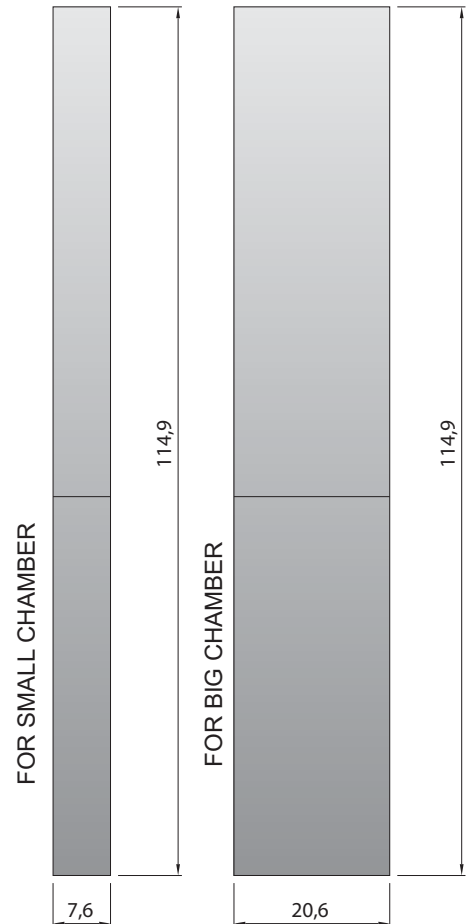
DETAILS

CONNECTION CORNERS FOR PROFILE - 05.1204



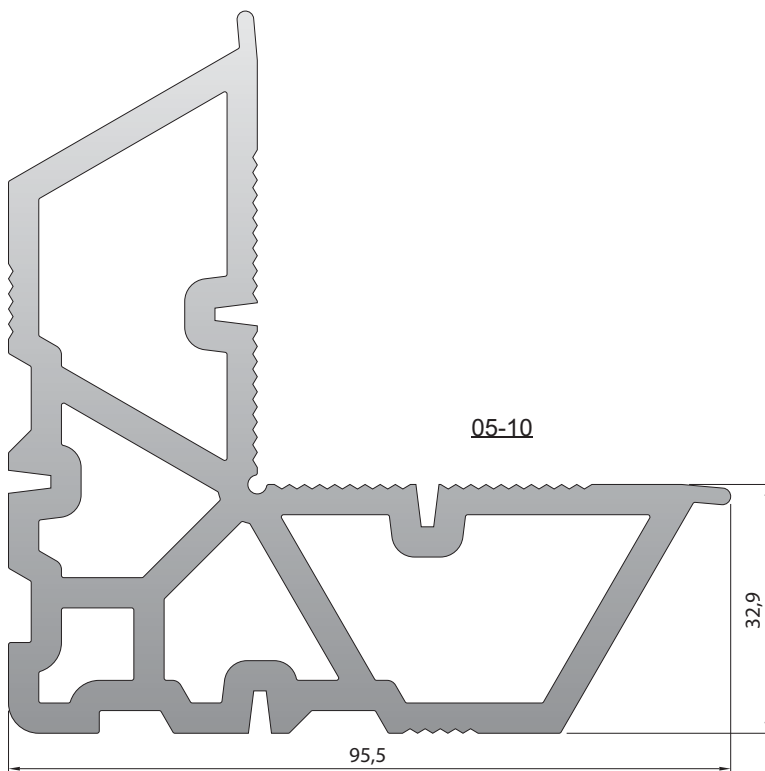
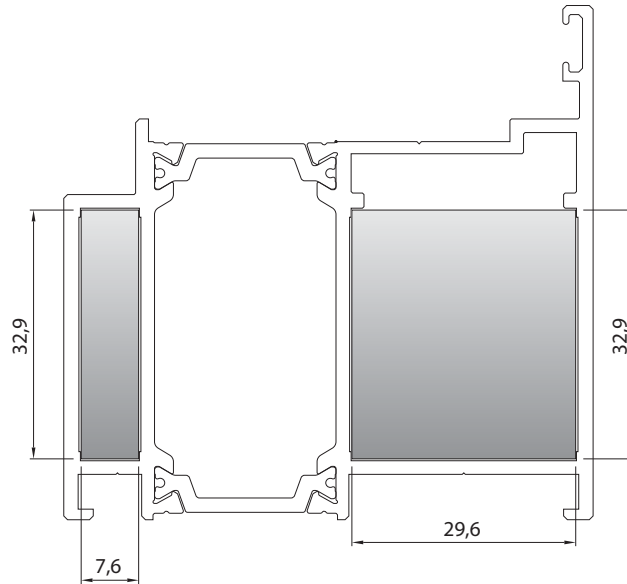
WDS05900

WDS05910



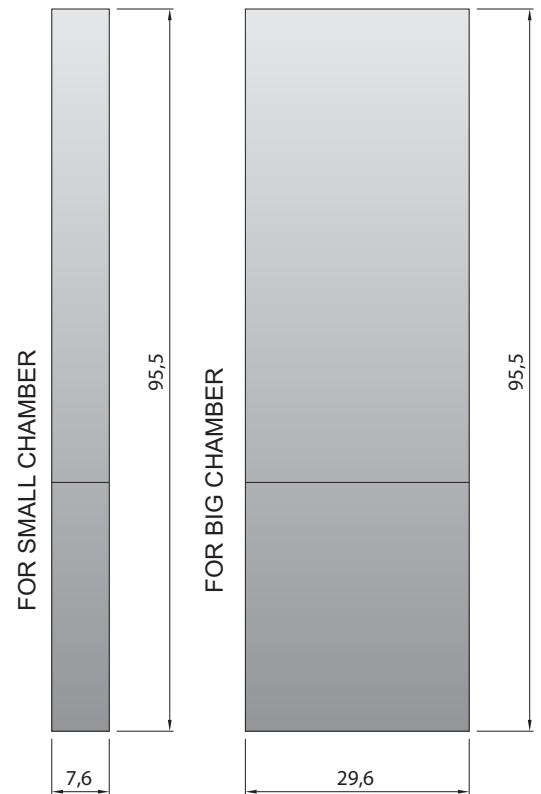
DETAILS

CONNECTION CORNERS FOR PROFILE - 05.1104



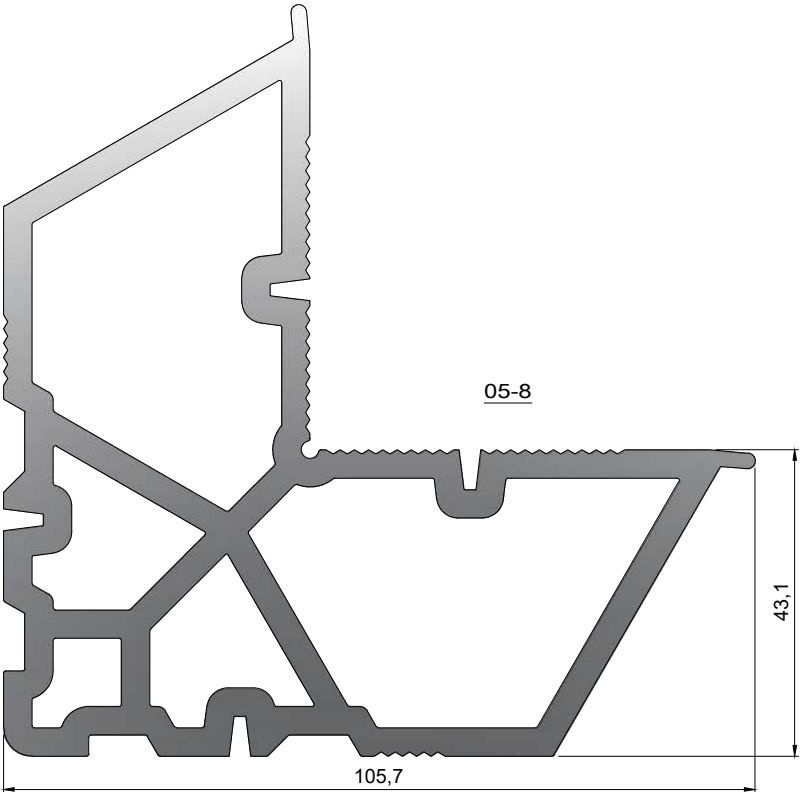
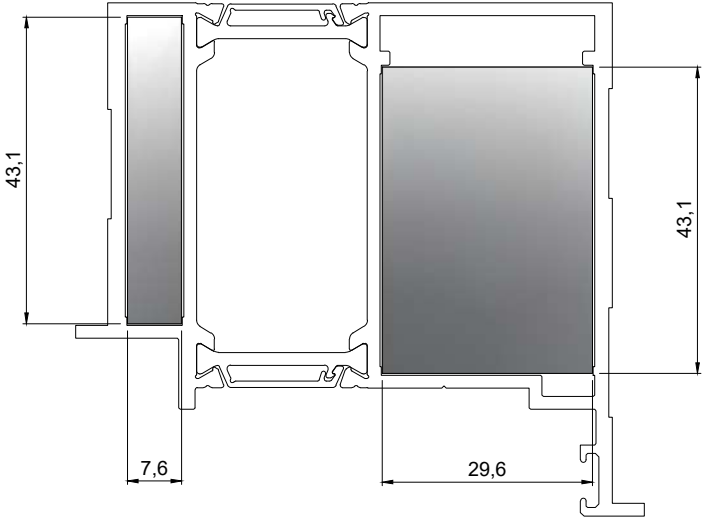
WDS05100

WDS05101



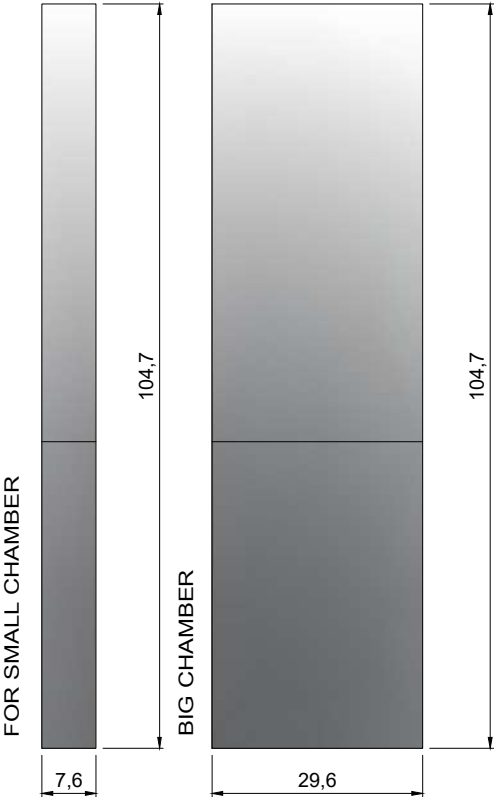
Series WDS 70

CONNECTION CORNERS FOR PROFILE - 05.1603



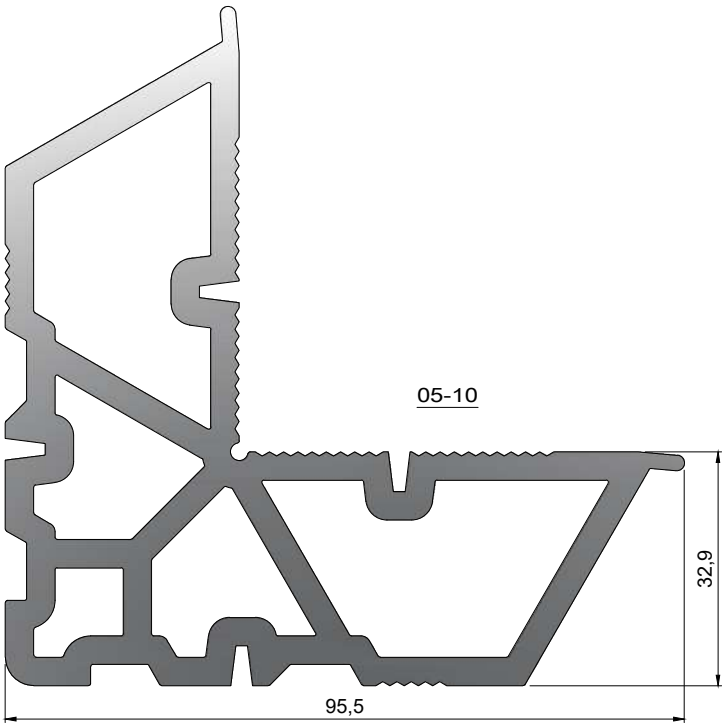
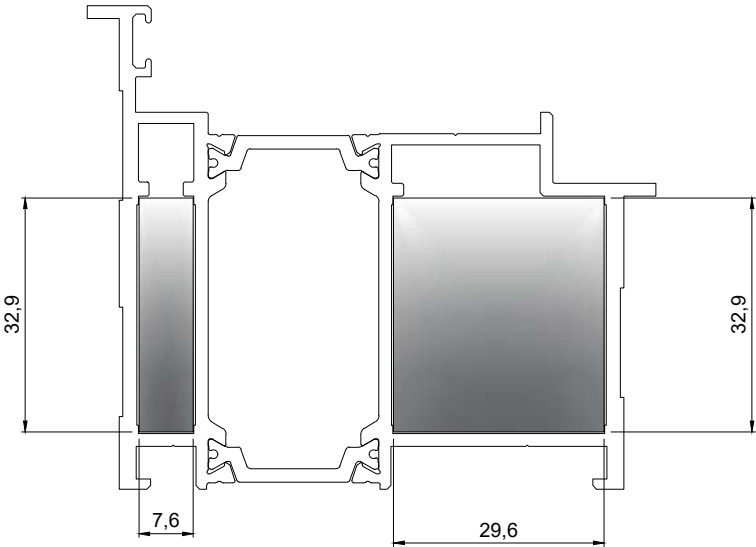
WDS05800

WDS05810



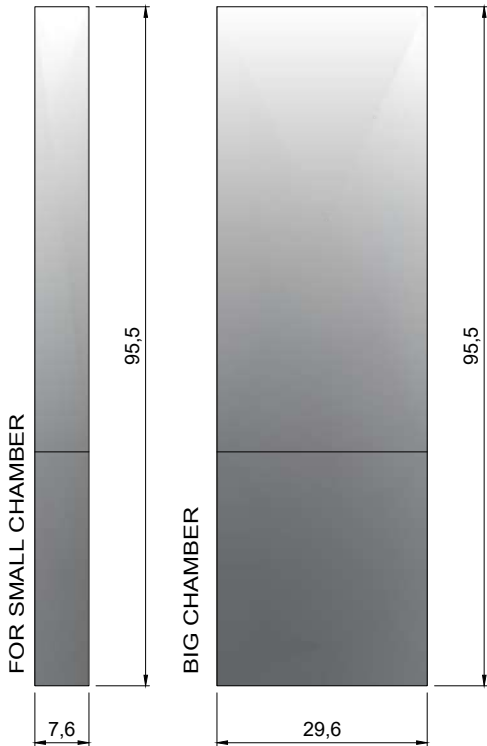
Series WDS 70

CONNECTION CORNERS FOR PROFILE - 05.1503



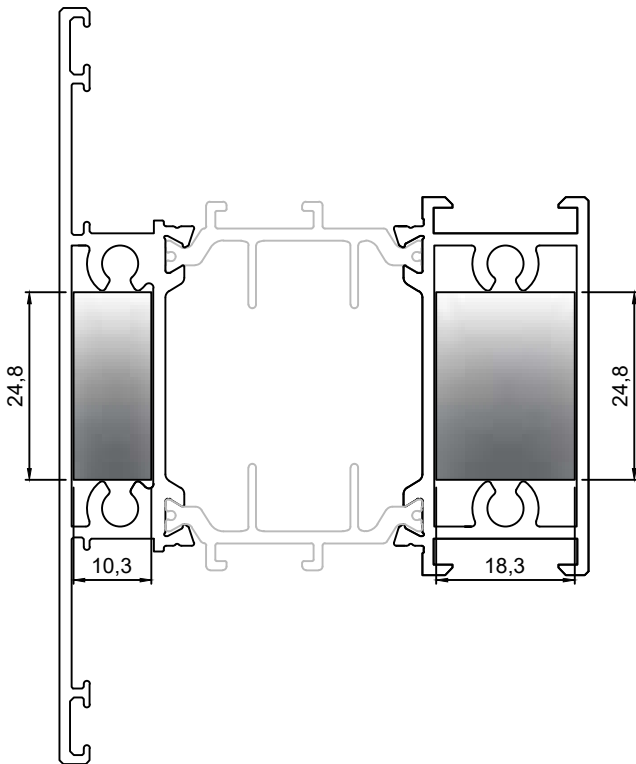
WDS05100

WDS05101



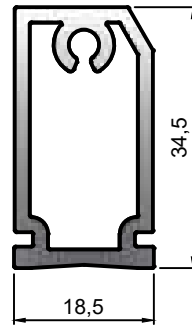
Series WDS 70

CONNECTION CORNERS FOR MULLION - 05.0301

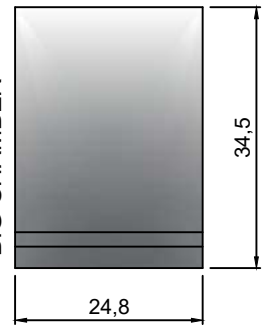


05-3

WDS05300

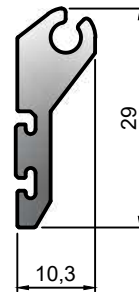


BIG CHAMBER

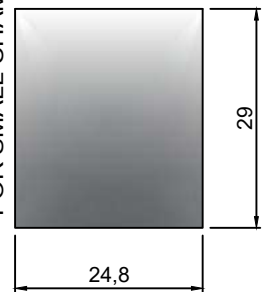


05-4

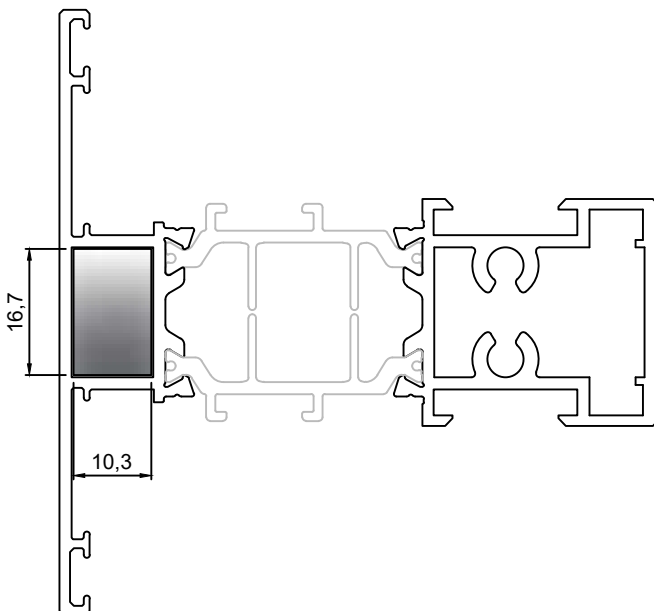
WDS05410



FOR SMALL CHAMBER

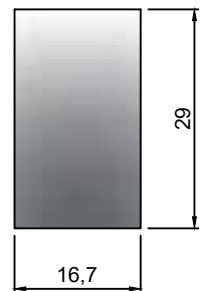
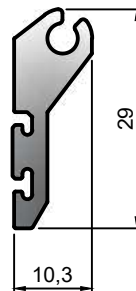


CONNECTION CORNER FOR MULLION - 05.0309



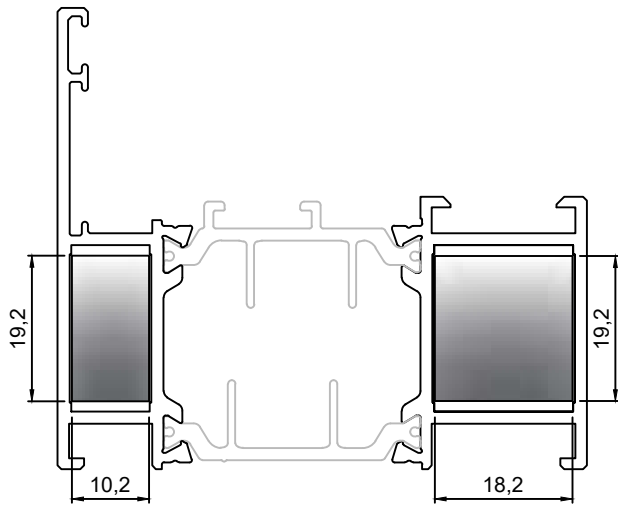
05-4

WDS05400

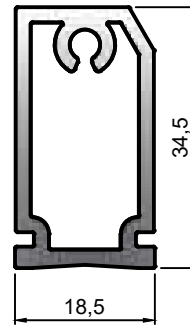


Series WDS 70

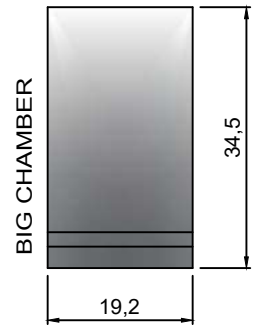
CONNECTING MULLIONS 05 0302 AND 05 0303 WITH FRAME 05 0101



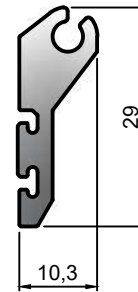
05-3



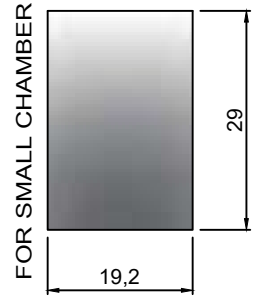
WDS05310



05-4



WDS05420



ACCESSORIES

Gasket:
US11.5100



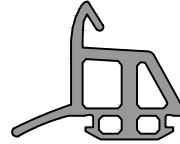
Gasket:
U2



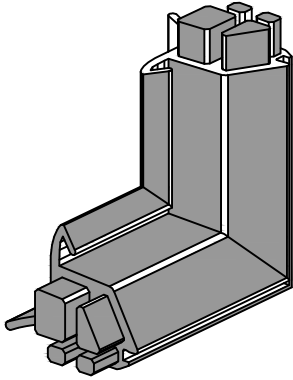
Gasket:
US11.5102



Gasket:
US11.5105



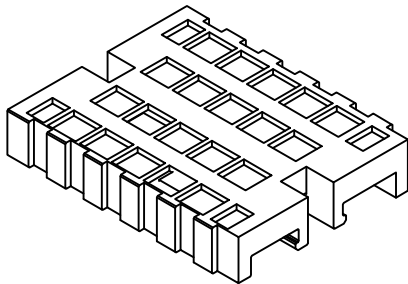
US11.5107



US11.1501

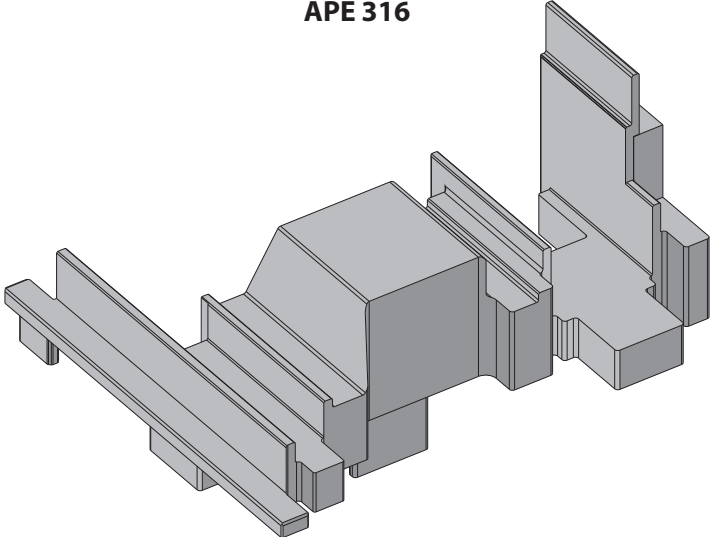


Glazing pad:
WDS141

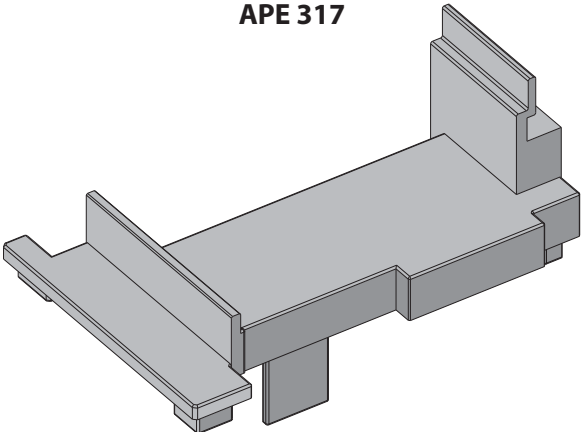


DETAILS

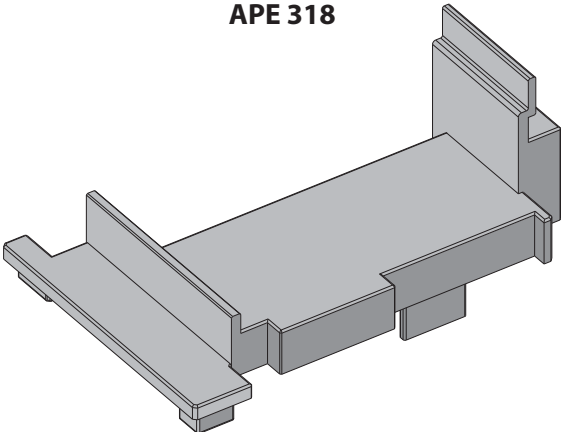
APE 316



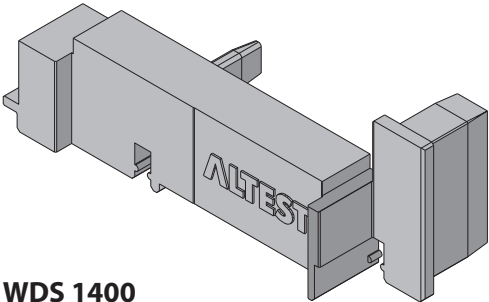
APE 317



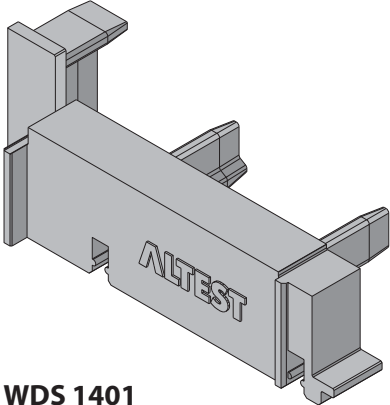
APE 318



WDS 1400



WDS 1401




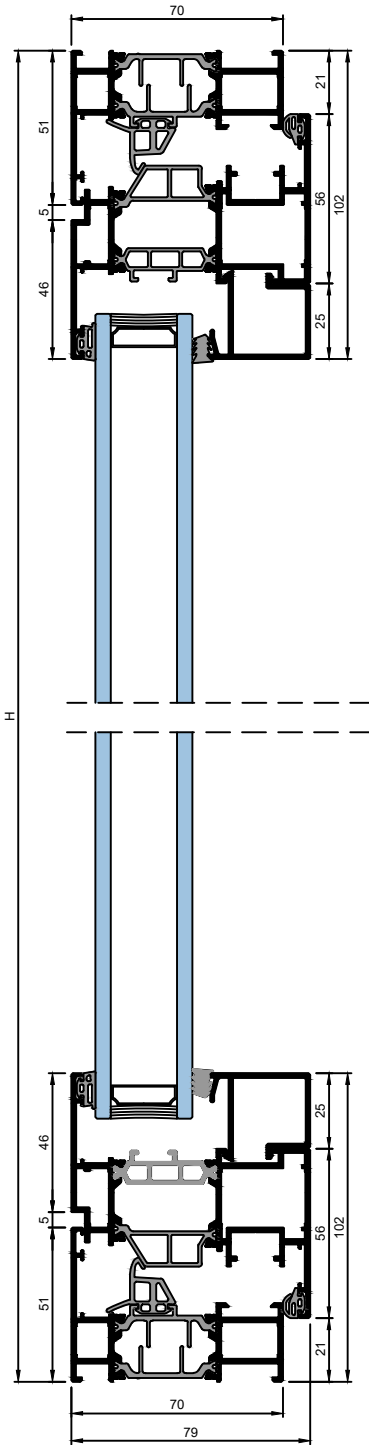
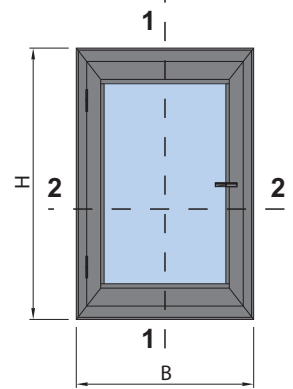
**Series
WDS 70**

SCHEMES

Series WDS 70

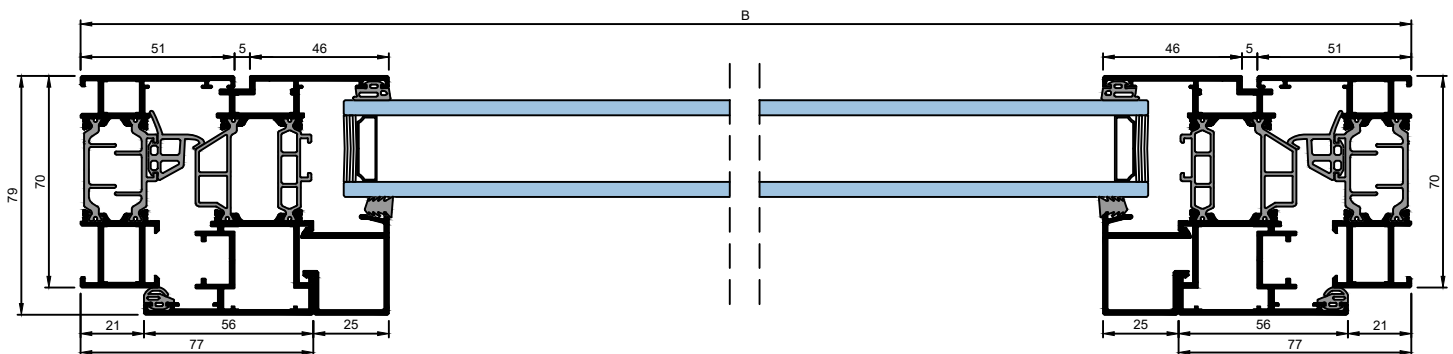
SCHEMES

FRAME	2pcs=B	
	2pcs=H	
SASH	2pcs=B-42 mm	
	2pcs=H-42mm	
For frame: 05.0100		
GLASSHOLDER	2pcs=B-154mm	
	2pcs=B-204mm	
For frame: 05.0100 Sash: 05.0205		
GLASS WIDTH	GW=B-169 mm	
GLASS HEIGHT	GH=H-169 mm	



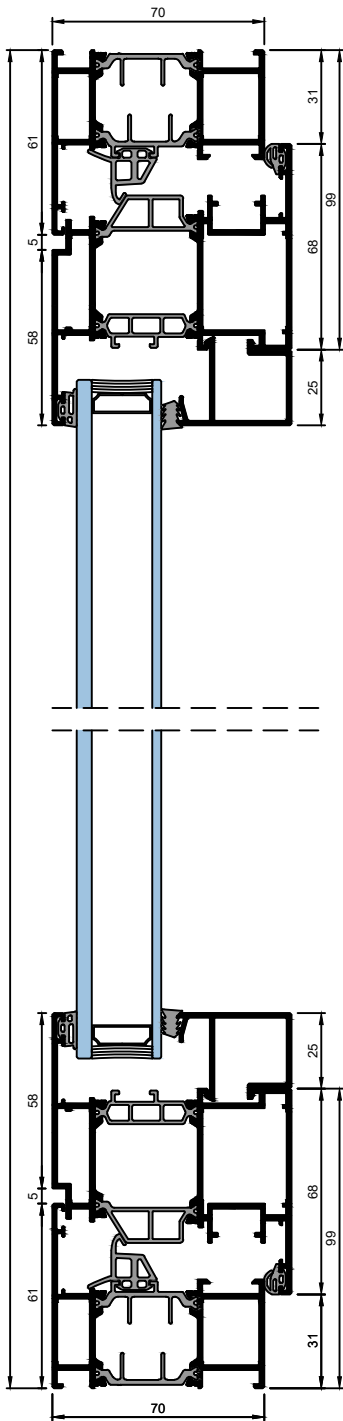
1-1

2-2



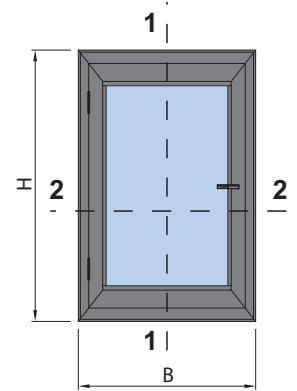
SCALE 1:2

SCHEMES

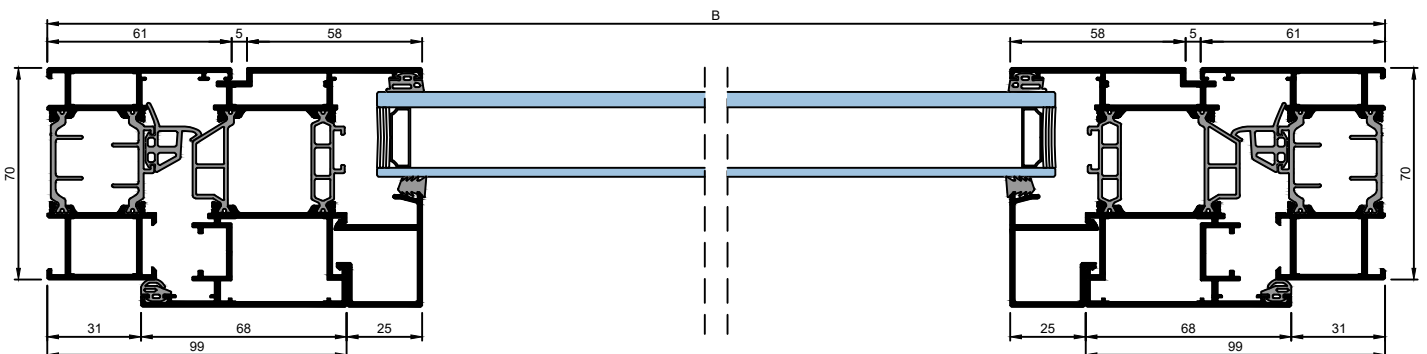


1-1

FRAME	2pcs=B	
	2pcs=H	
SASH	2pcs=B-62 mm	
	2pcs=H-62mm	
For frame: 05.0101		
GLASSHOLDER	2pcs=B-198mm	
	2pcs=H-248mm	
For frame: 05.0101 Sash: 05.0211		
GLASS WIDTH	GW=B-213mm	
GLASS HEIGHT	GH=H-213 mm	



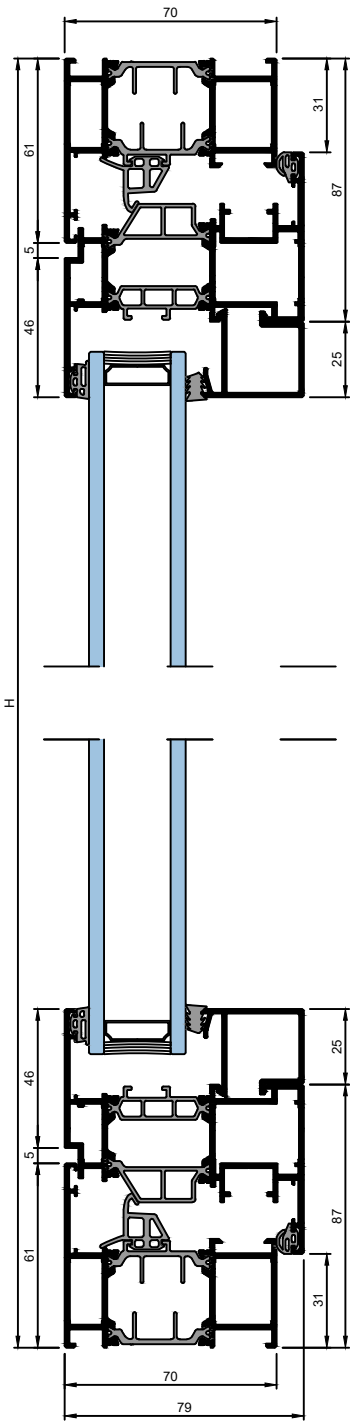
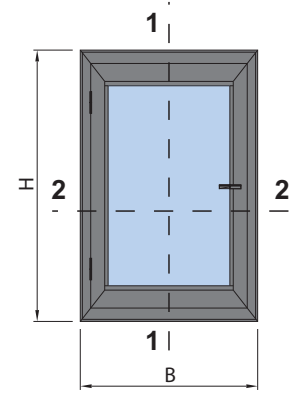
2-2



Series WDS 70

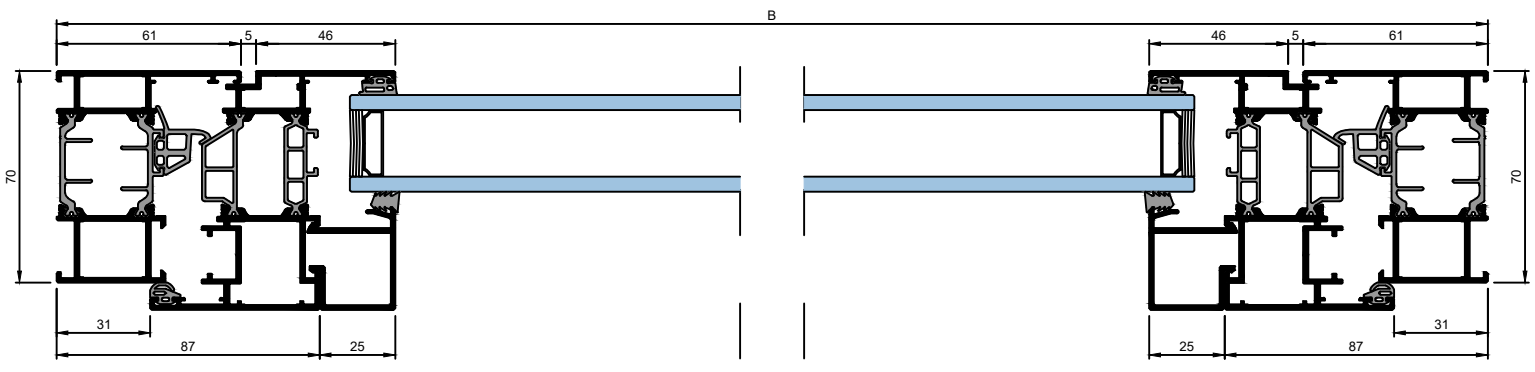
SCHEMES

FRAME	2pcs=B	
	2pcs=H	
SASH	2pcs=B-62 mm	
	2pcs=H-62mm	
For frame: 05.0101		
GLASSHOLDER	2pcs=B-174mm	
	2pcs=H-224mm	
For frame: 05.0101 Sash: 05.0205		
GLASS WIDTH	GW=B-189 mm	
GLASS HEIGHT	GH=H-189 mm	



1-1

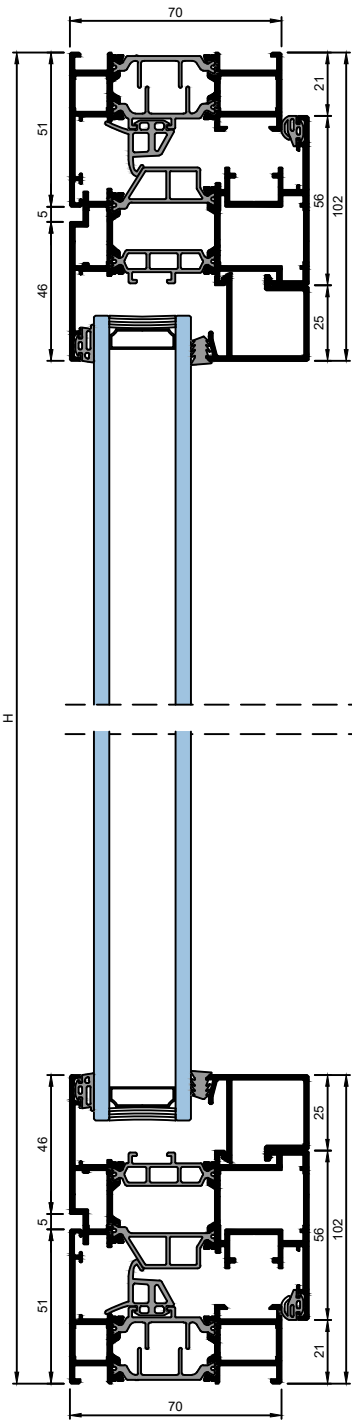
2-2



SCALE 1:2

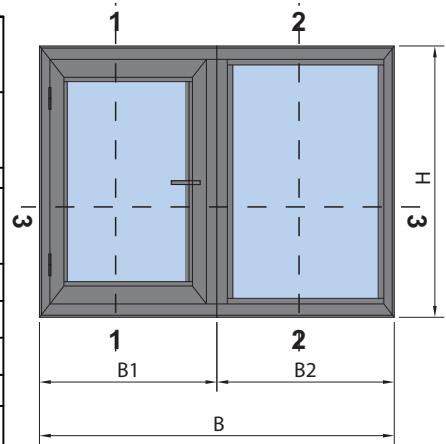
Series WDS 70

SCHEMES

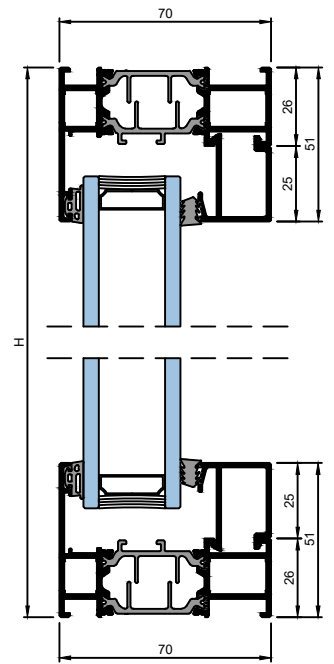


1-1

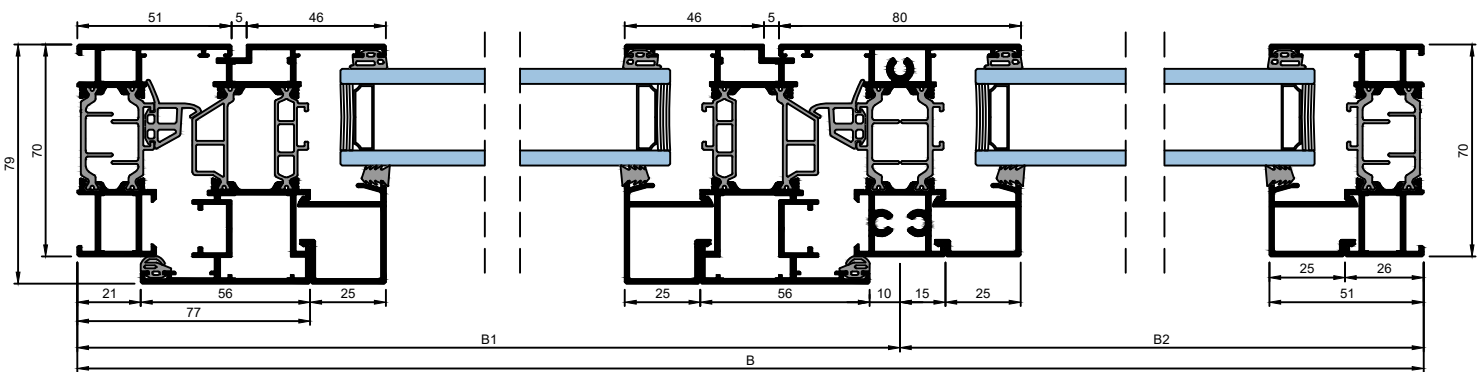
FRAME	2pcs=B	
	2pcs=H	
SASH only for 05.0205*	2pcs=B1-31 mm	
	2pcs=H-42mm	
For frame: 05.0100		
GLASSHOLDERS	2pcs=B1-143mm	
	2pcs=H-204mm	
	2pcs=B2-41mm	
	2pcs=H-102mm	
For frame: 05.0100		
MULLION	1pcs=H-52mm	
For frame: 05.0100 Sash: 05.0205		
GLASS WIDTH	GW ₁ =B ₁ -158 mm; GW ₂ =B ₂ -56 mm	
GLASS HEIGHT	GH=H-169 mm	



2-2



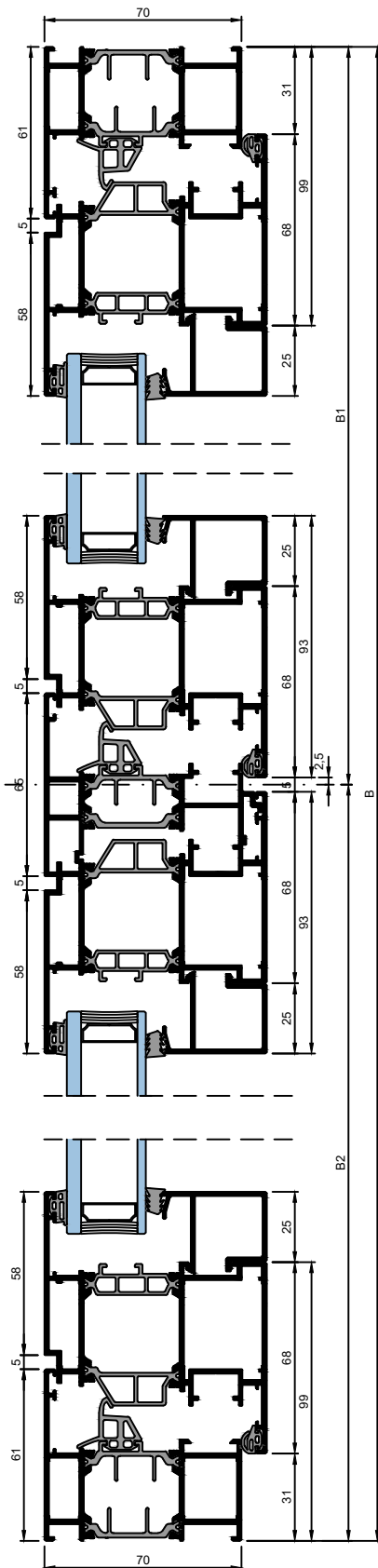
3-3



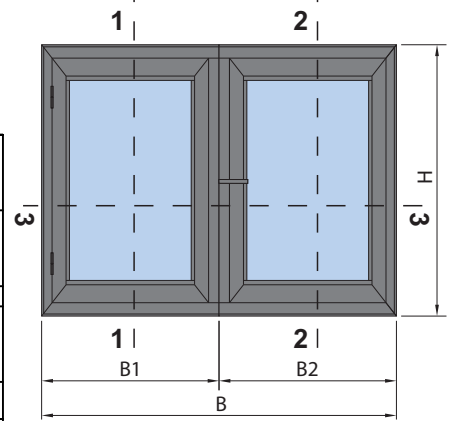
SCALE 1:2

SCHEMES

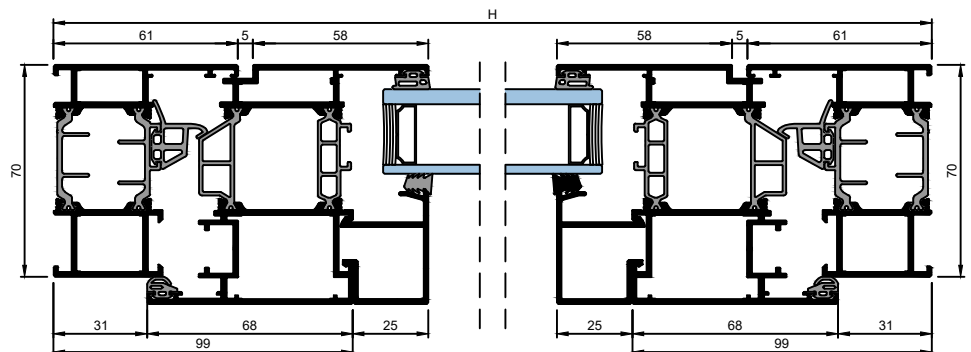
3-3



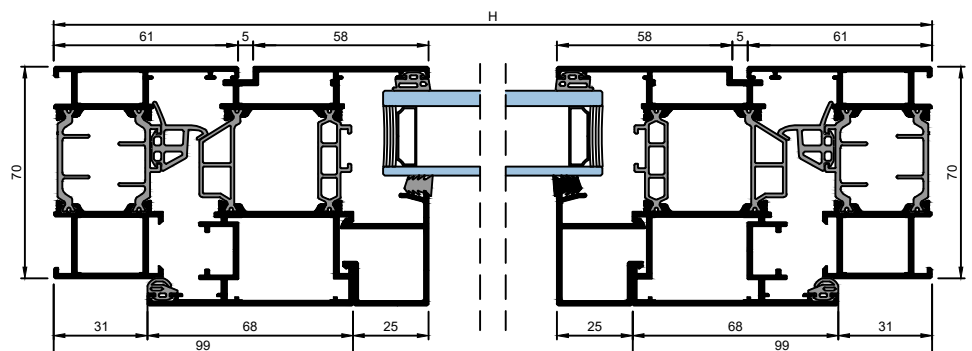
FRAME	2pcs=B	
	2pcs=H	
SASH	2pcs=B1-33.5mm	
	2pcs=B2-33.5mm	
only for 05.0211*		4pcs=H-62mm
For frame: 05.0101		
GLASSHOLDERS	2pcs=B1-169,5mm	
	4pcs=H-248mm	
		2pcs=B2-169,5mm
For frame: 05.0101		
OVERHUNG	1pcs=H-131,6mm	
For frame: 05.0101 Sash: 05.0211		overhung: 05.0322
GLASS WIDTH	GW ₁ =B ₁ -184.5 mm; GW ₂ =B ₂ -184.5 mm	
GLASS HEIGHT	GH=H-213 mm	





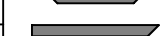
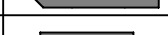
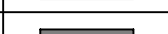
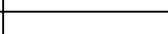

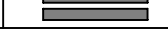
1-1

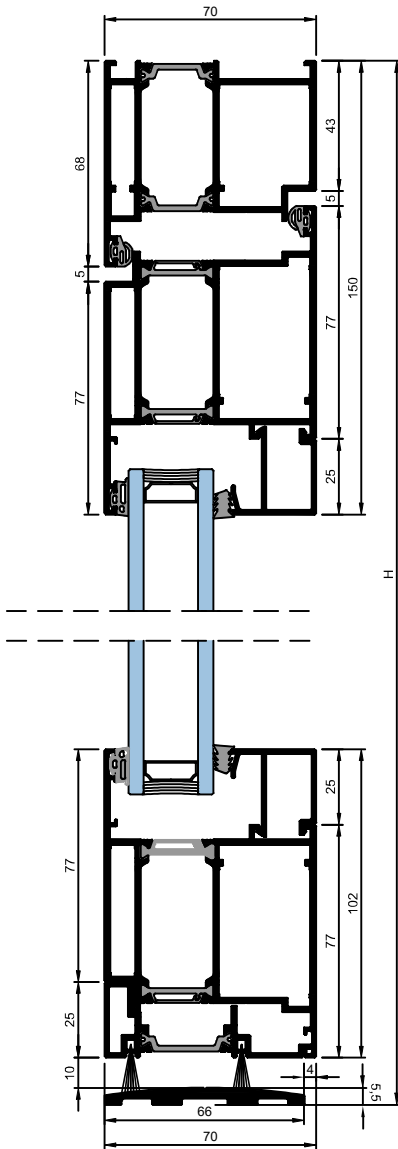
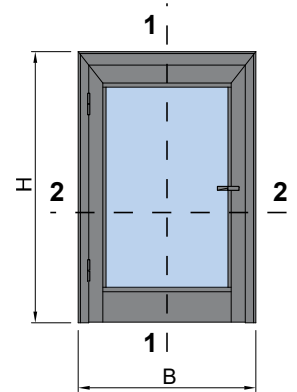


2-2



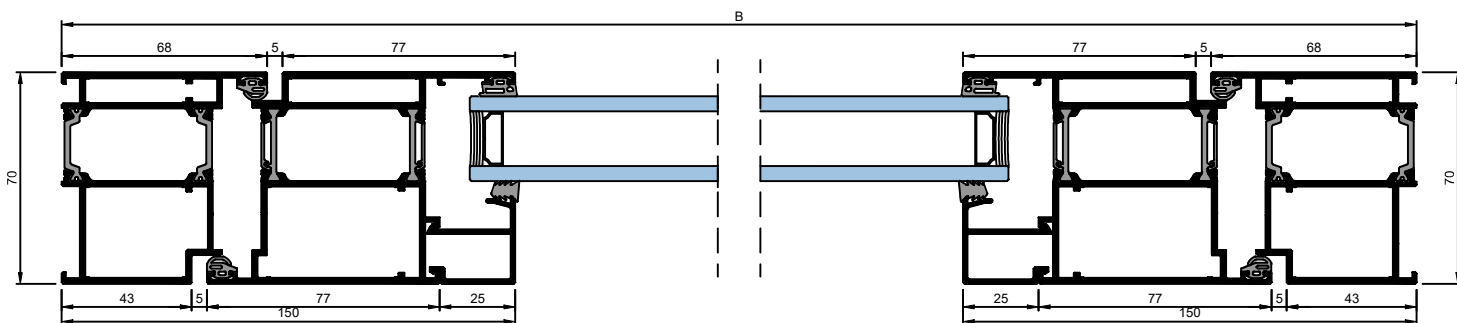
SCHEMES

FRAME	1pcs=B	
	2pcs=H	
SASH	1pcs=B-96 mm	
	2pcs=H-63,5mm	
ADD ON	1pcs=B-150mm	
KICKPLATE	1pcs=B-106mm	
For sash: 05.1203	For kickplate: 05.1410	
GLASSHOLDER	2pcs=B-250mm	
	2pcs=H-267,5mm	
GLASS	Glass width=B-265mm	
	Glass height=H-232,5mm	



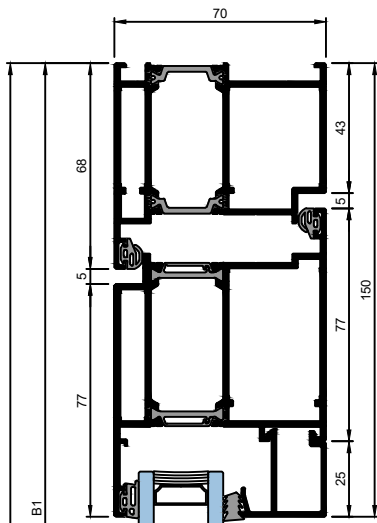
1-1

2-2

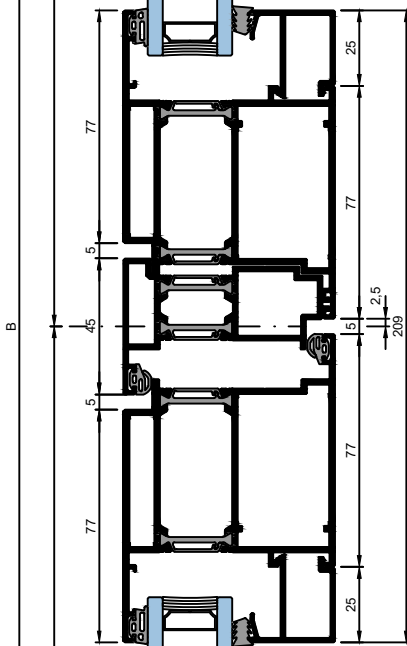
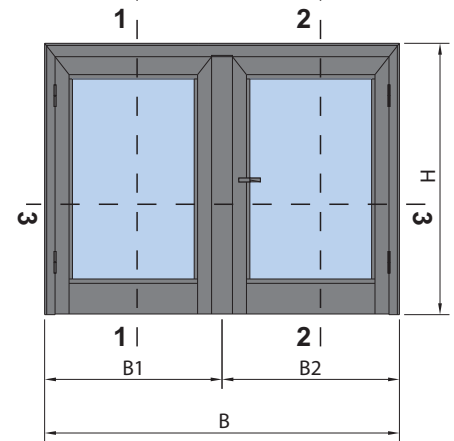


SCHEMES

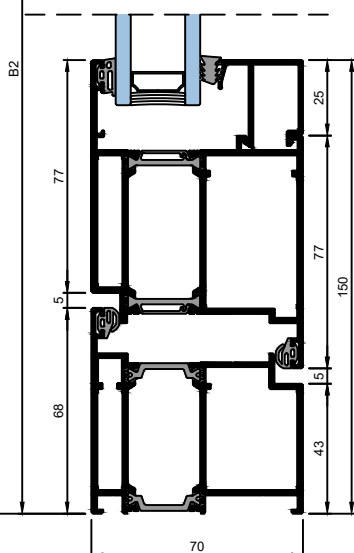
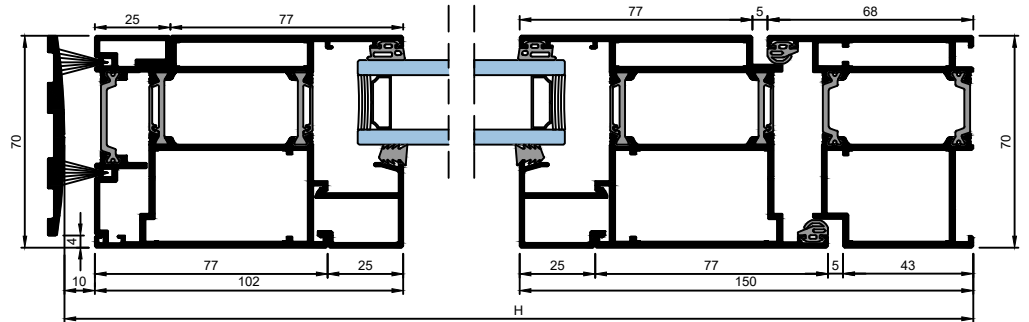
3-3



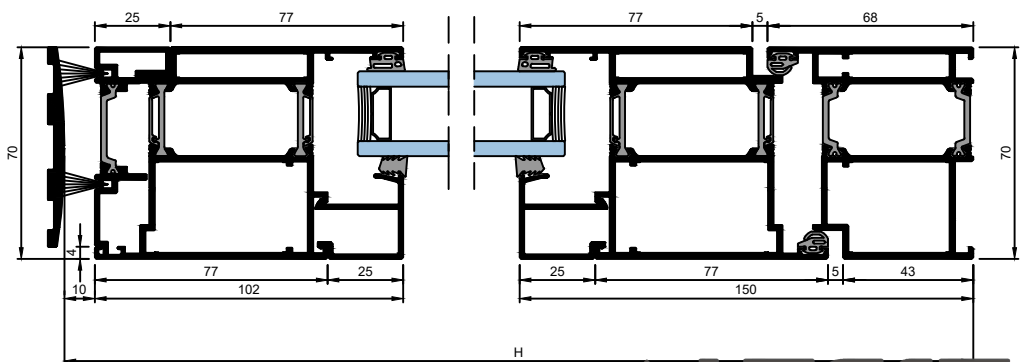
FRAME	1pcs=B	
	2pcs=H	
SASH *only for 05 1203	2pcs=B1-50,5mm	
	2pcs=B2-50,5mm	
	4pcs=H-58mm	
ADD ON	1pcs=B1-104,5mm	
	1pcs=B2-104,5mm	
KICKPLATE *only for 05 1410	1pcs=B-106mm	
GLASSHOLDERS	2pcs=B1-204,5mm	
	4pcs=H-262mm	
	2pcs=B2-204,5mm	
GLASS WIDTH	GW ₁ =B ₁ -219,5 mm; GW ₂ =B ₂ -219,5 mm	
GLASS HEIGHT	GH=H-227 mm	



1-1



2-2



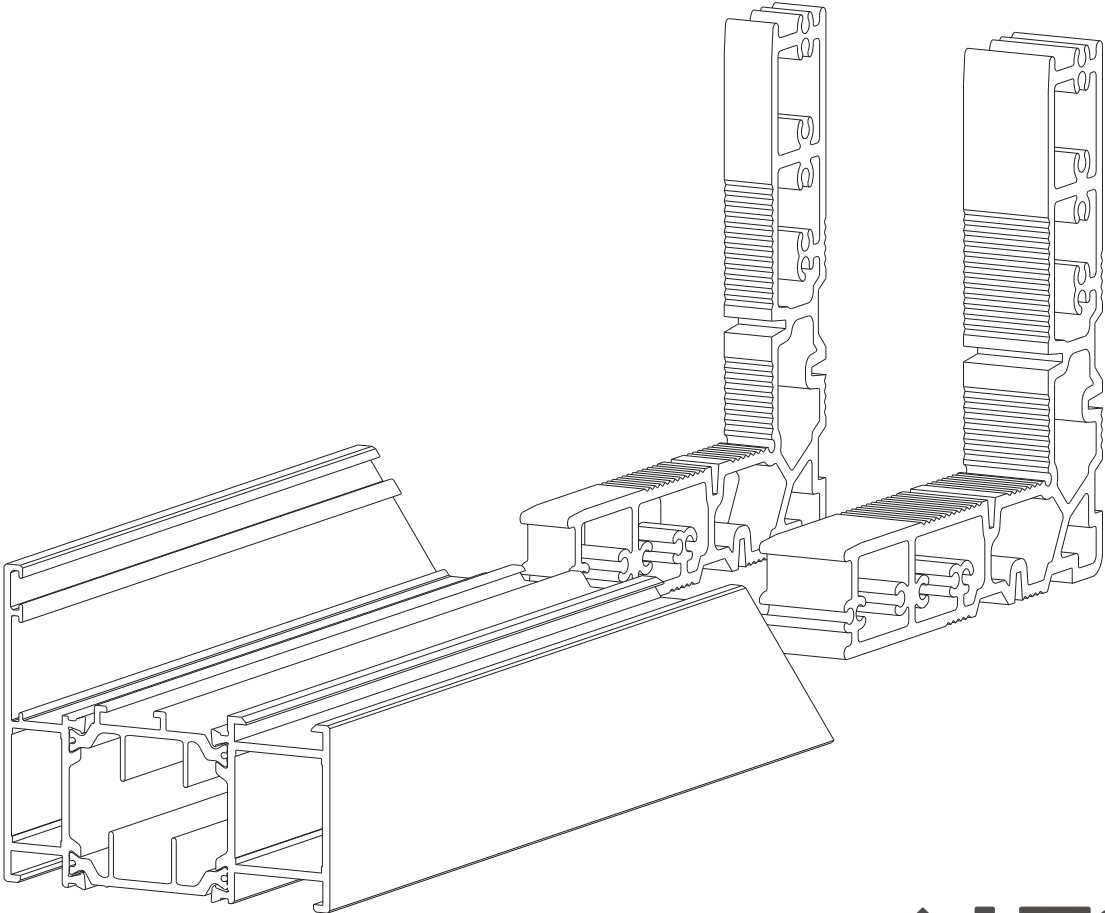
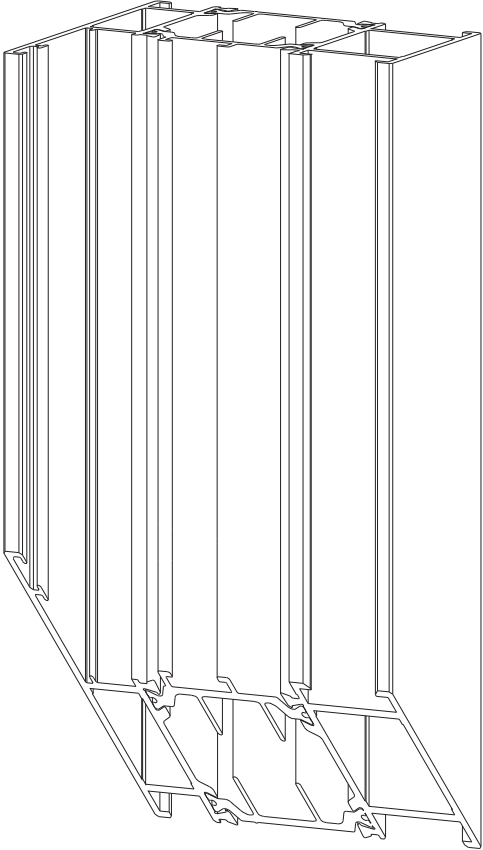
**Series
WDS 70**

THREE DIMENSIONS DETAILS

Series WDS 70

THREE DIMENSIONS DETAILS

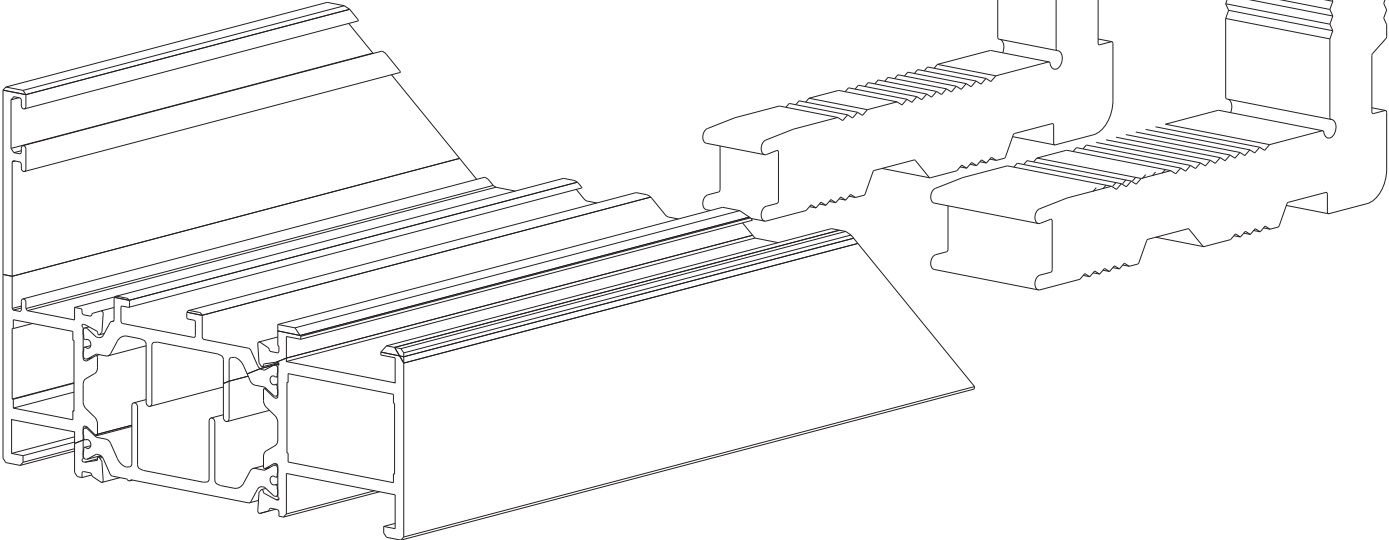
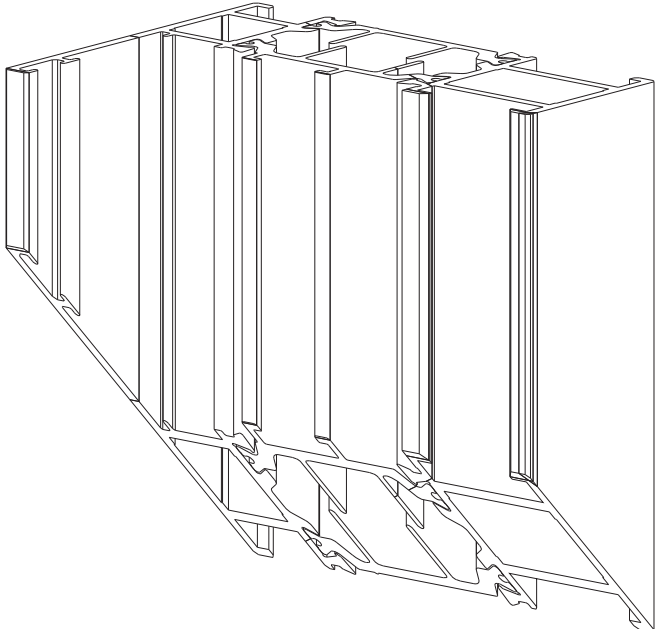
CONNECTION FRAME 05 0100



Series WDS 70

THREE DIMENSIONS DETAILS

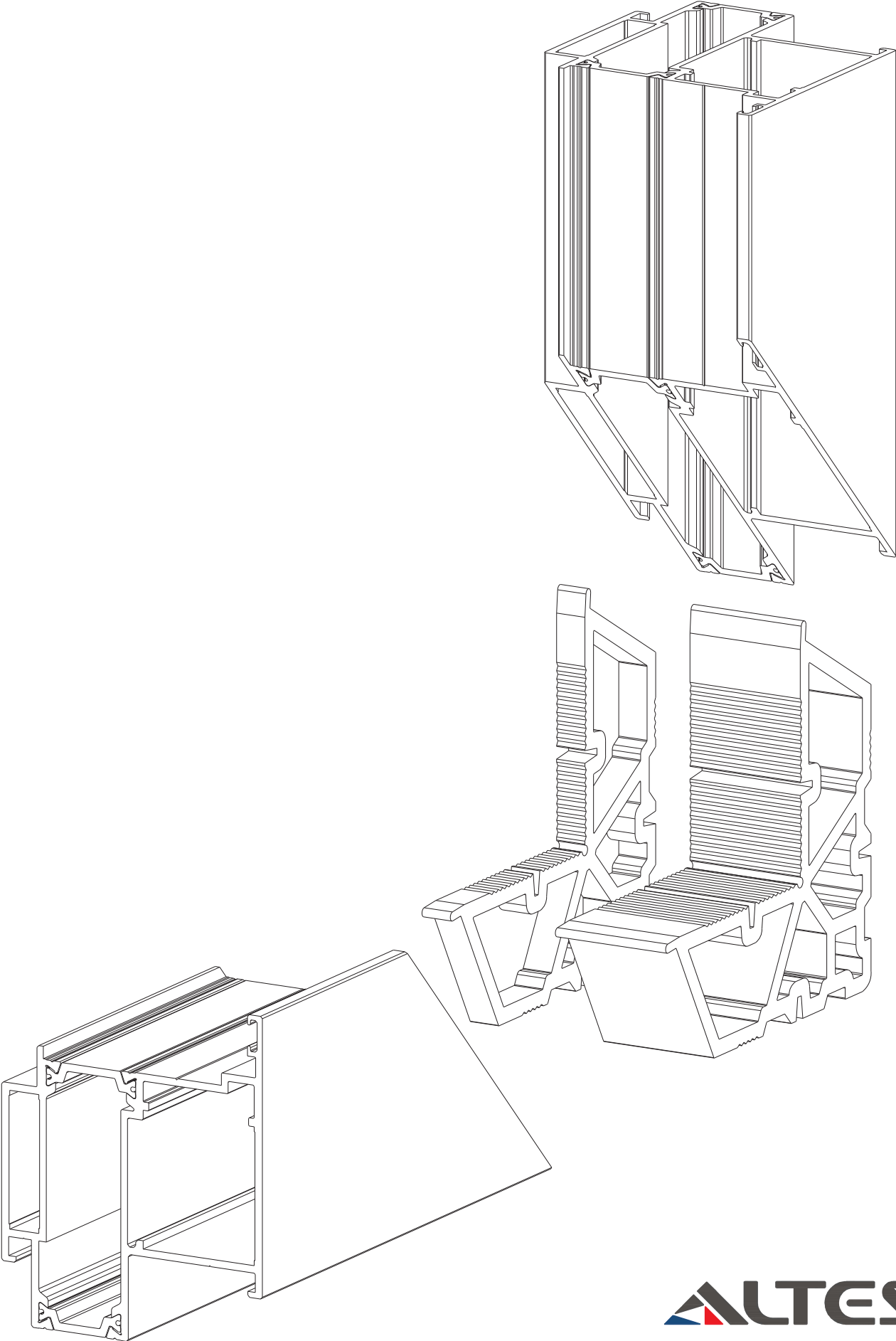
CONNECTION FRAME 05 0101



Series WDS 70

THREE DIMENSIONS DETAILS

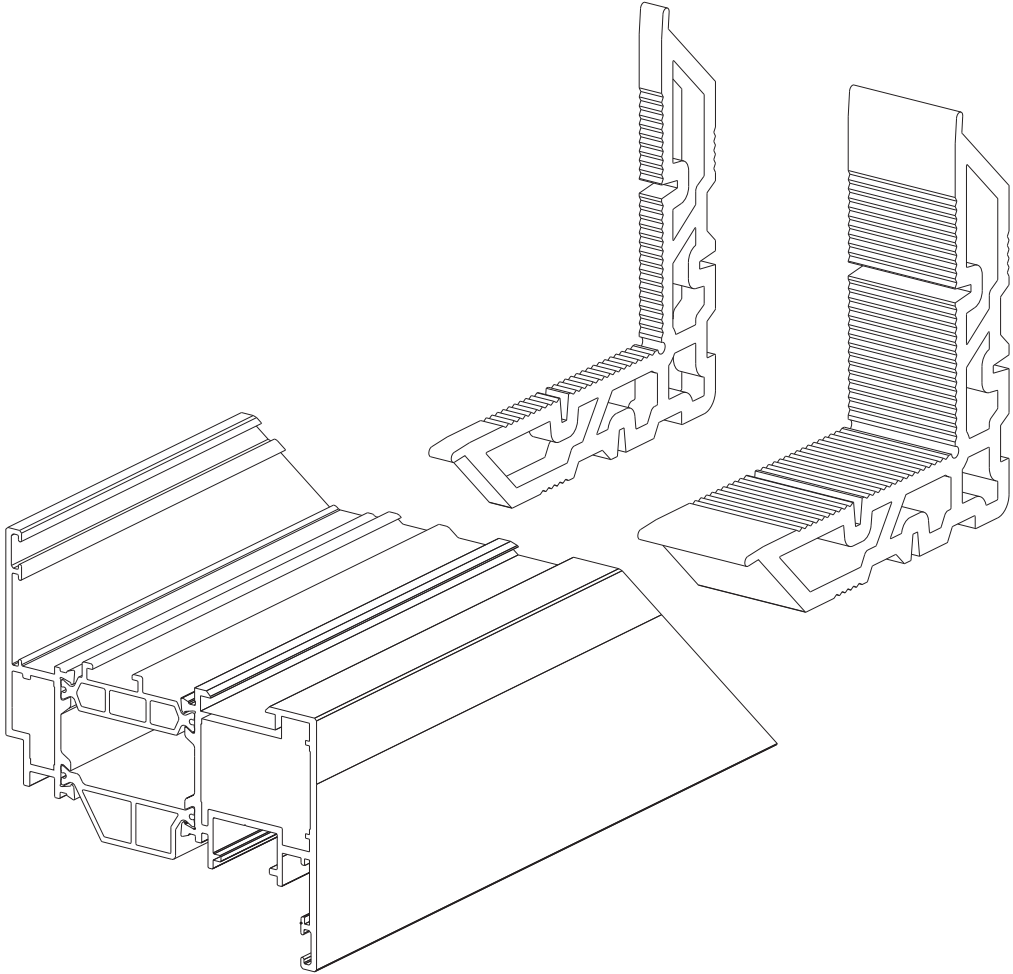
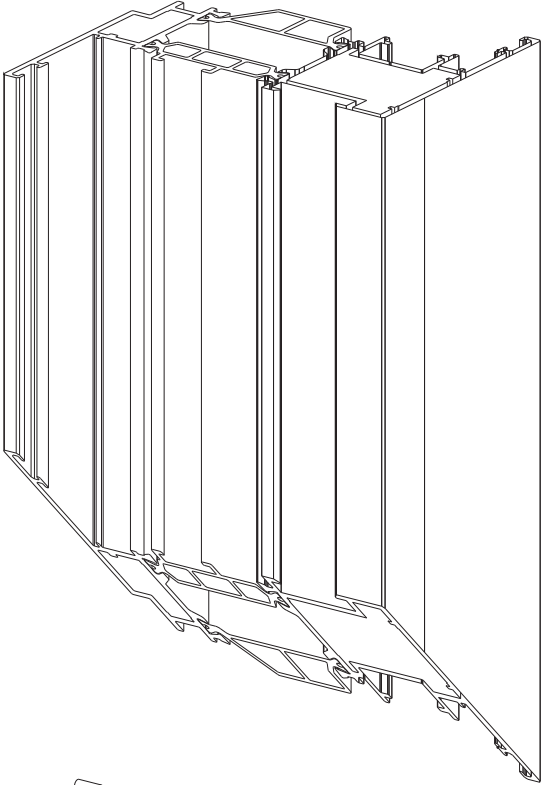
CONNECTION FRAME 05 0102



Series WDS 70

THREE DIMENSIONS DETAILS

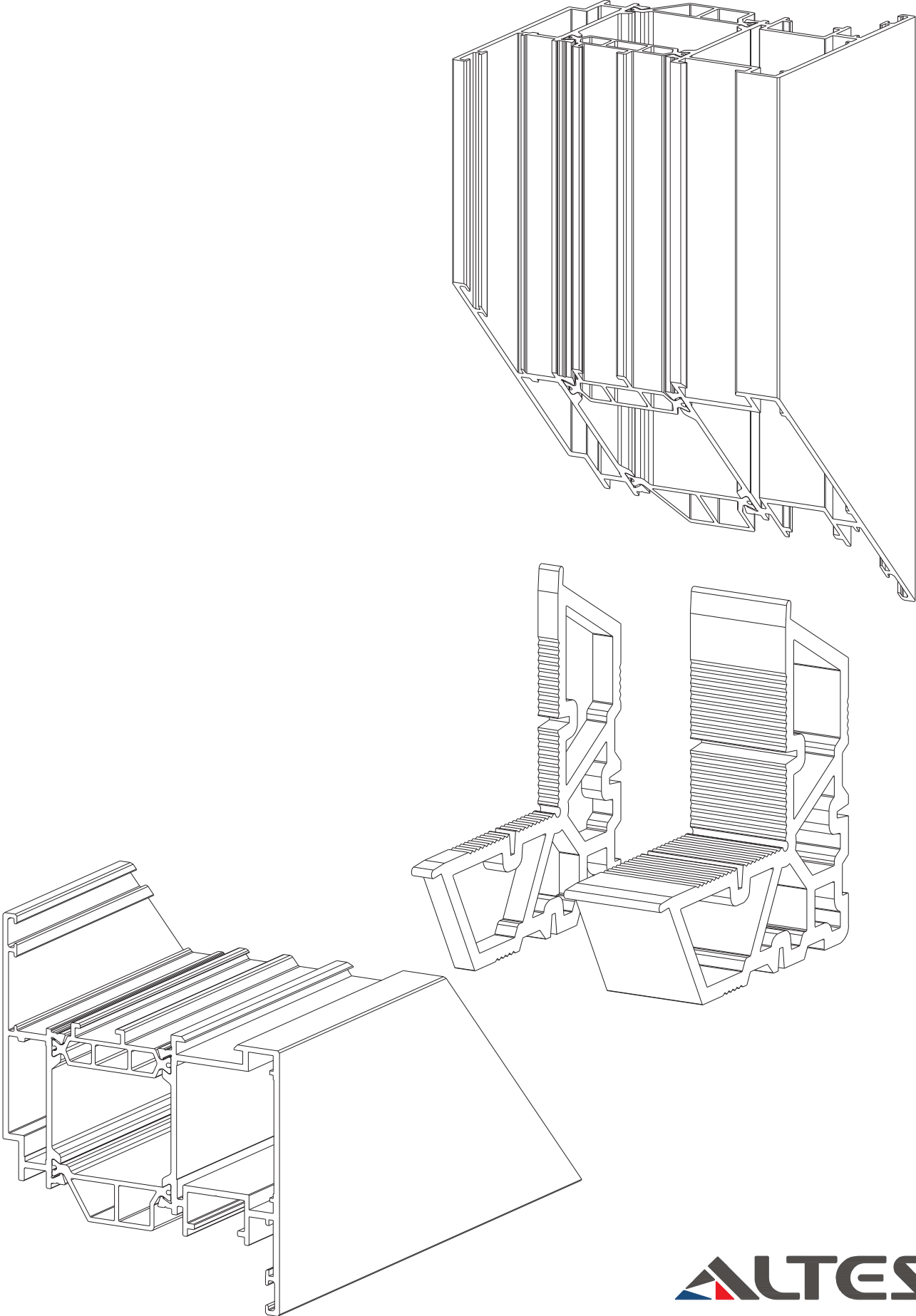
CONNECTION SASH 05 0205



Series WDS 70

THREE DIMENSIONS DETAILS

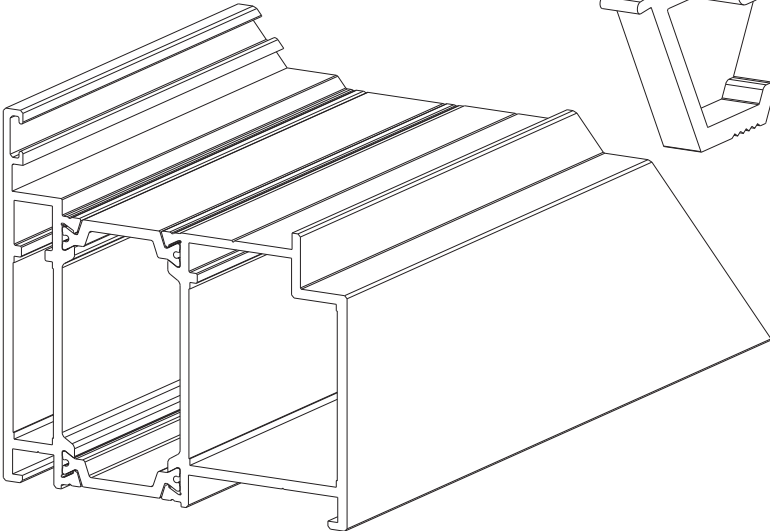
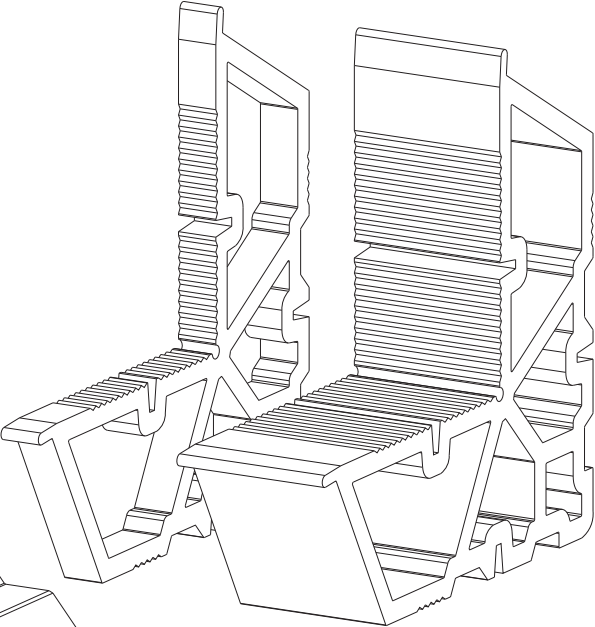
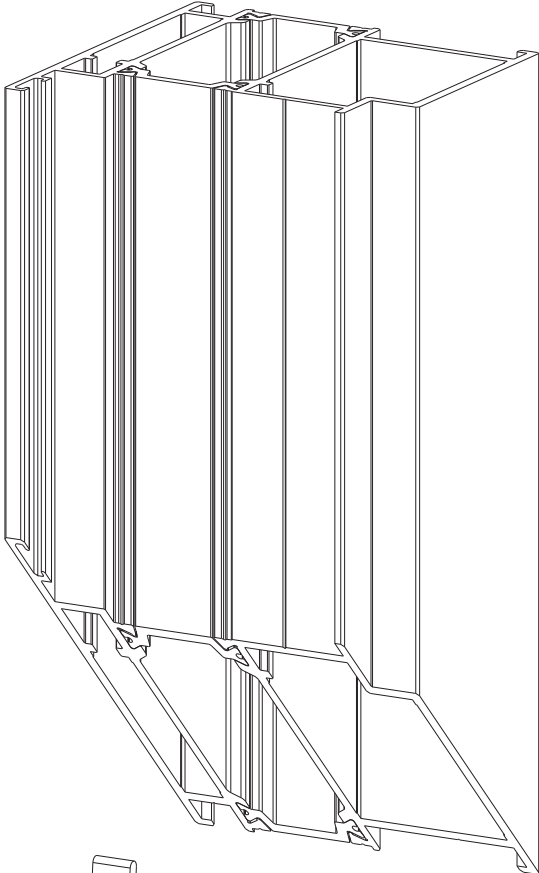
CONNECTION SASH 05 0211



Series WDS 70

THREE DIMENSIONS DETAILS

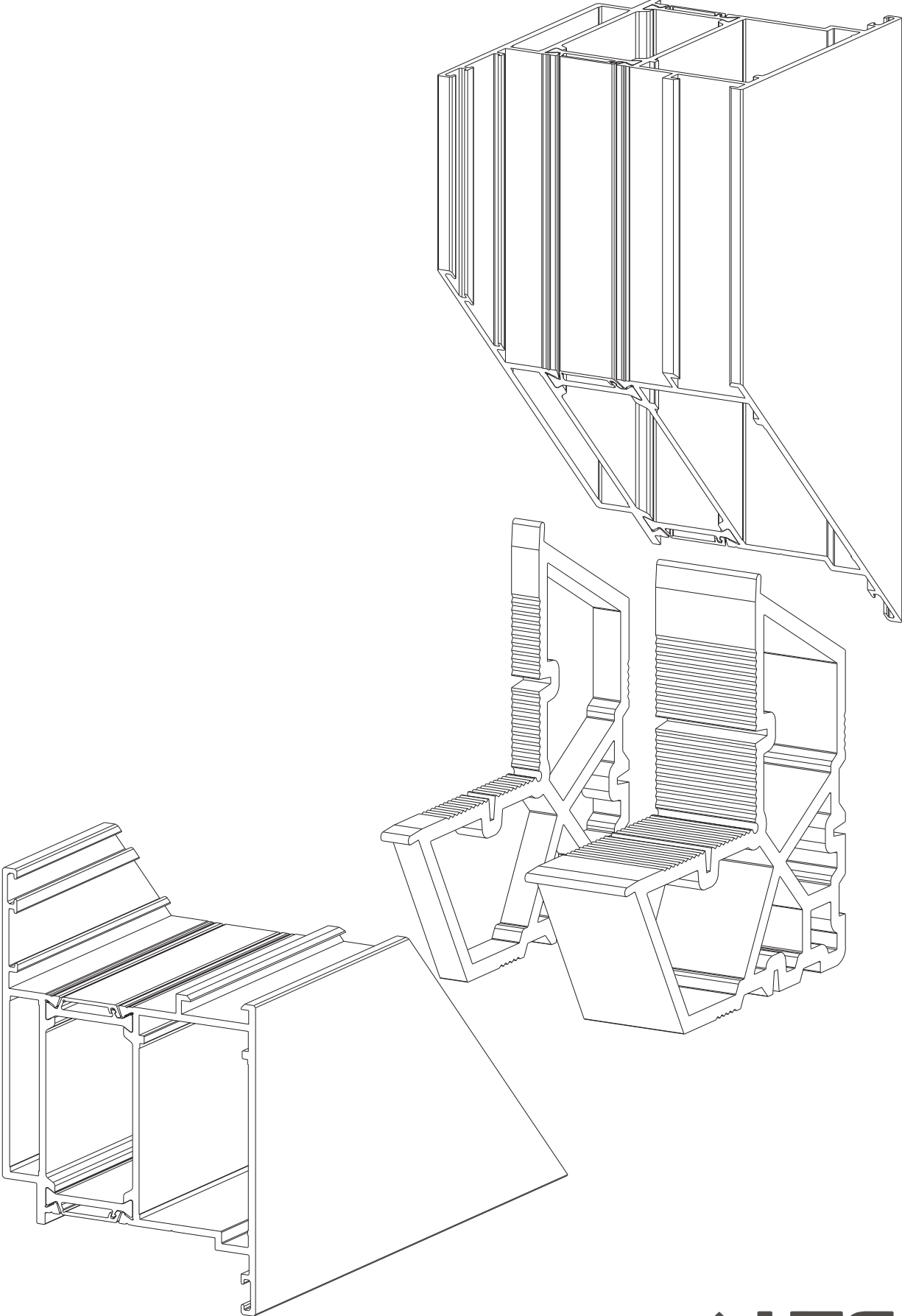
CONNECTION FRAME 05 1103



Series WDS 70

THREE DIMENSIONS DETAILS

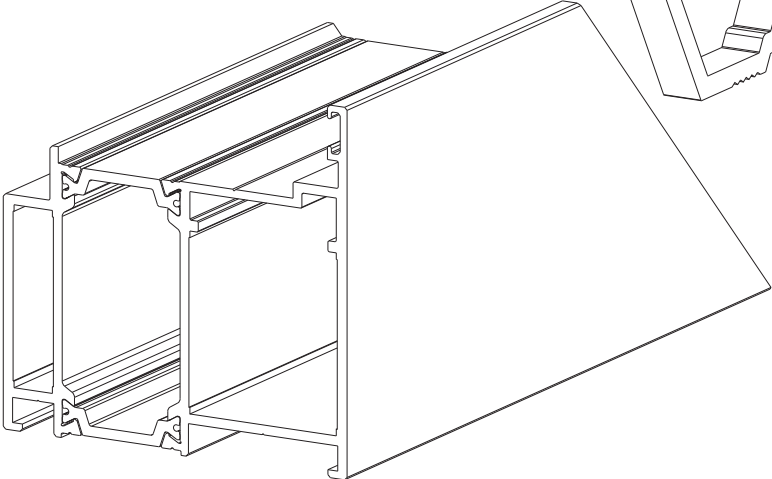
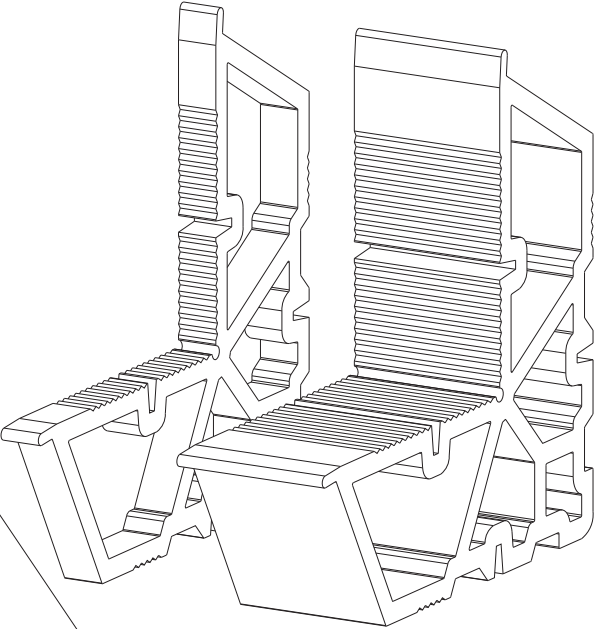
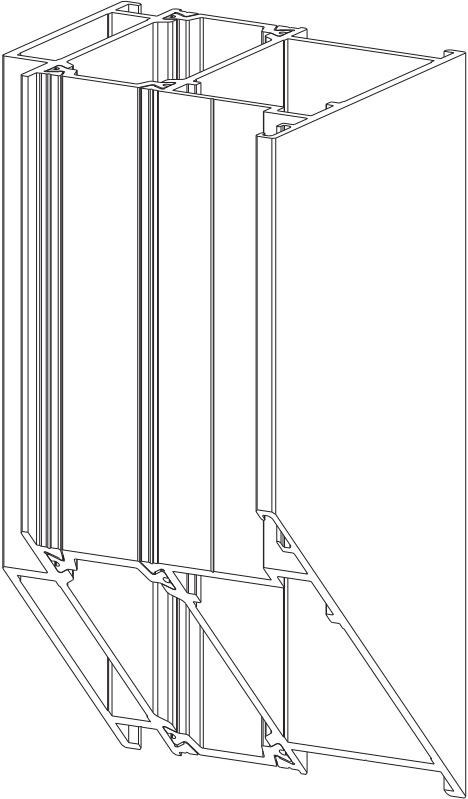
CONNECTION SASH 05 1203



Series WDS 70

THREE DIMENSIONS DETAILS

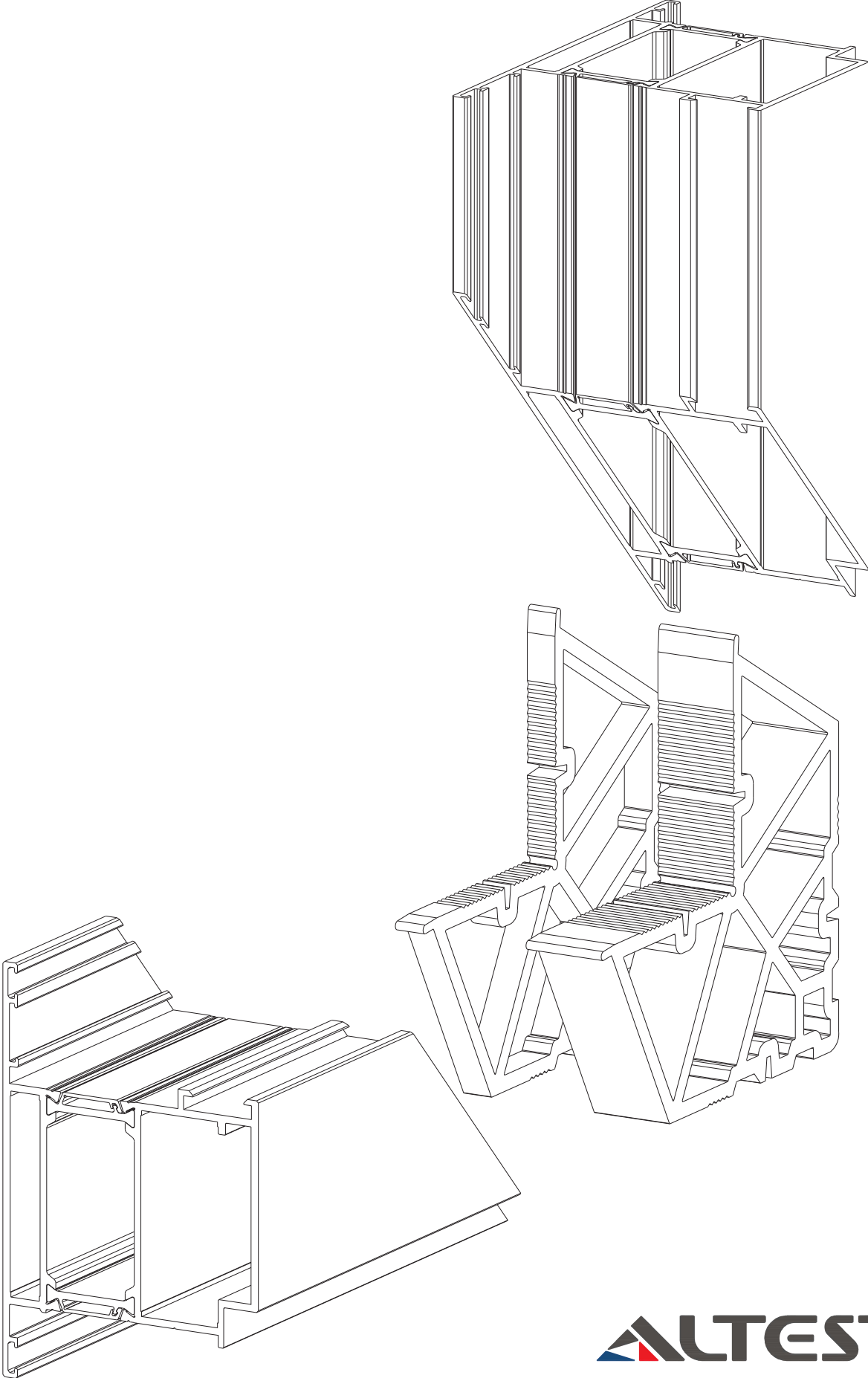
CONNECTION FRAME 05 1104



**Series
WDS 70**

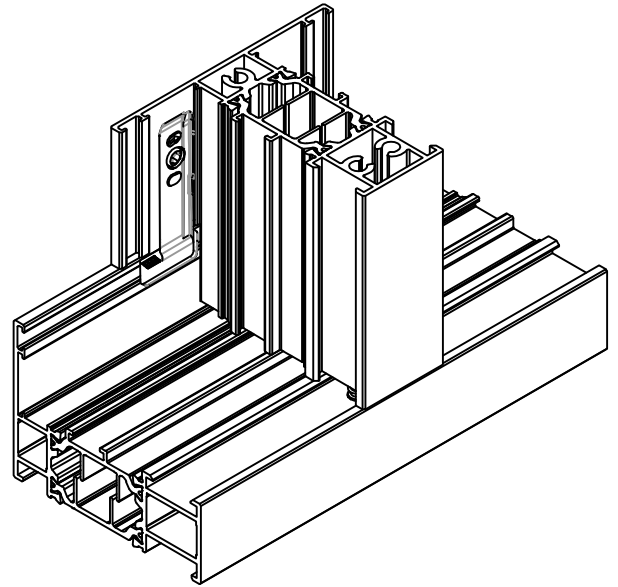
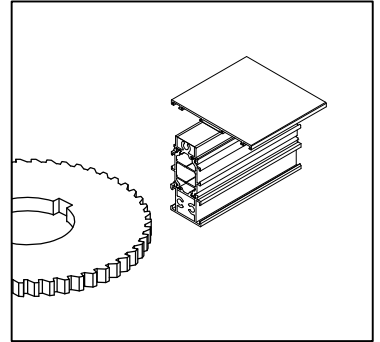
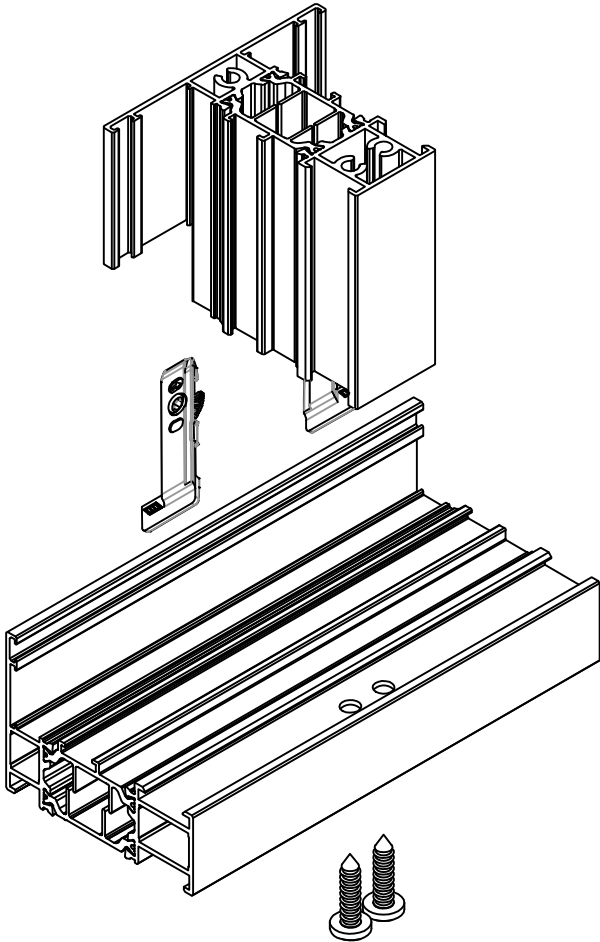
THREE DIMENSIONS DETAILS

CONNECTION SASH 05 1204

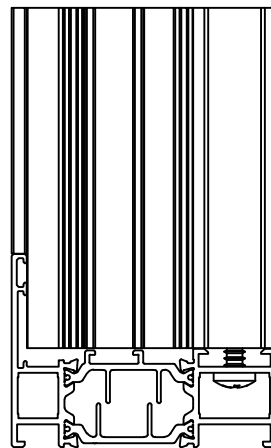
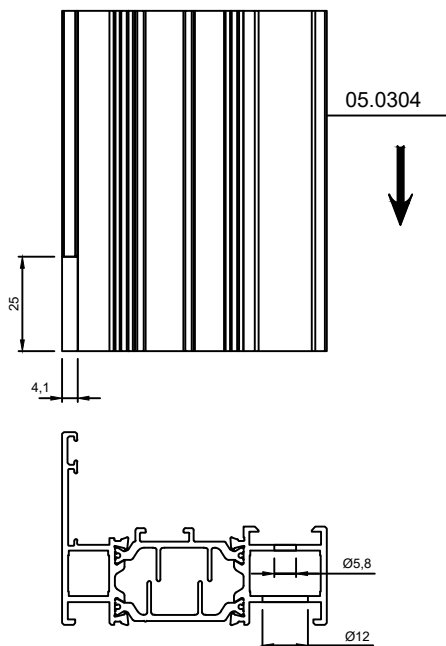


Series WDS 70

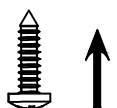
CONNECTION "T" PROFILE 05.0304 WITH FRAME 05.0100 AND CUTTING OF "T" PROFILE



Front view
Scale 1:2

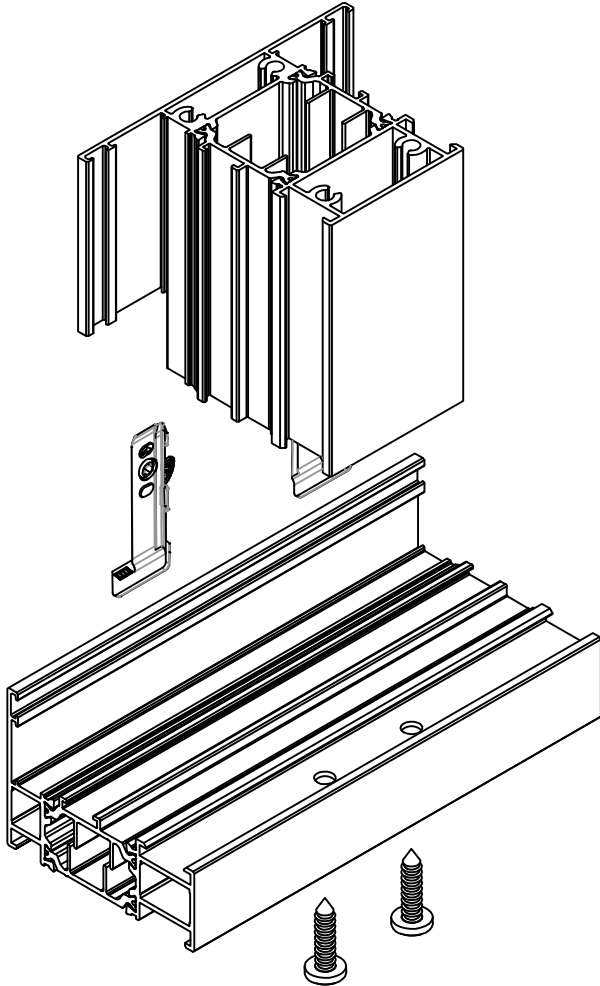


SCALE 1:2
FRONT VIEW

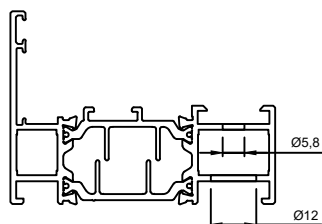
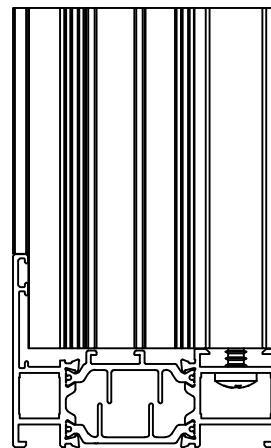
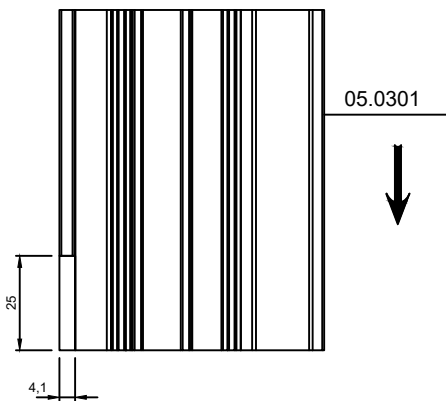
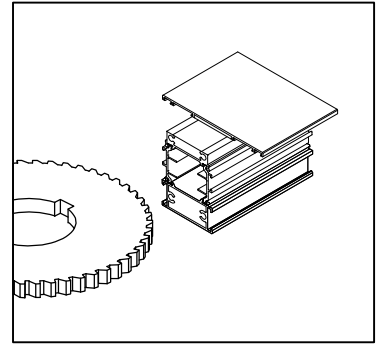


Series WDS 70

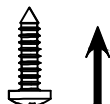
CONNECTION "T" PROFILE 05.0301 WITH FRAME 05.0100 AND CUTTING OF "T" PROFILE



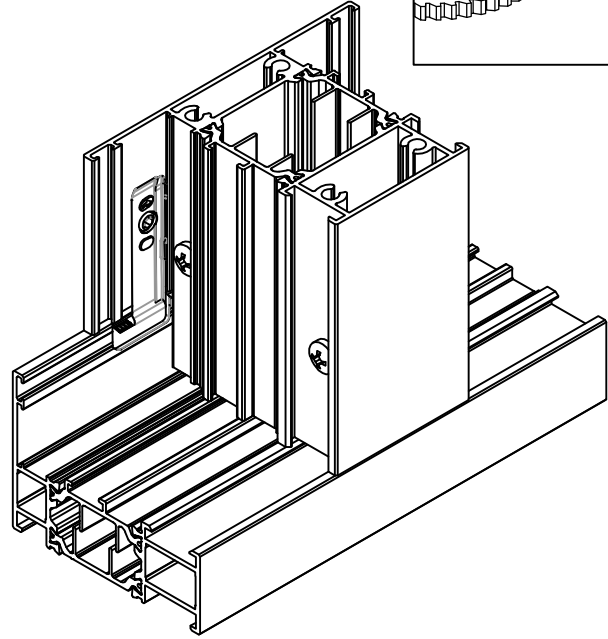
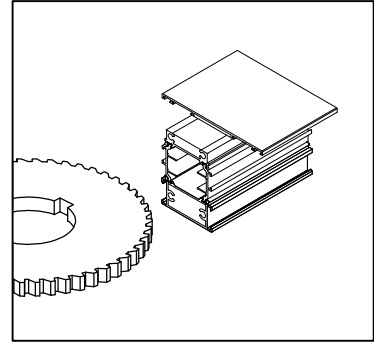
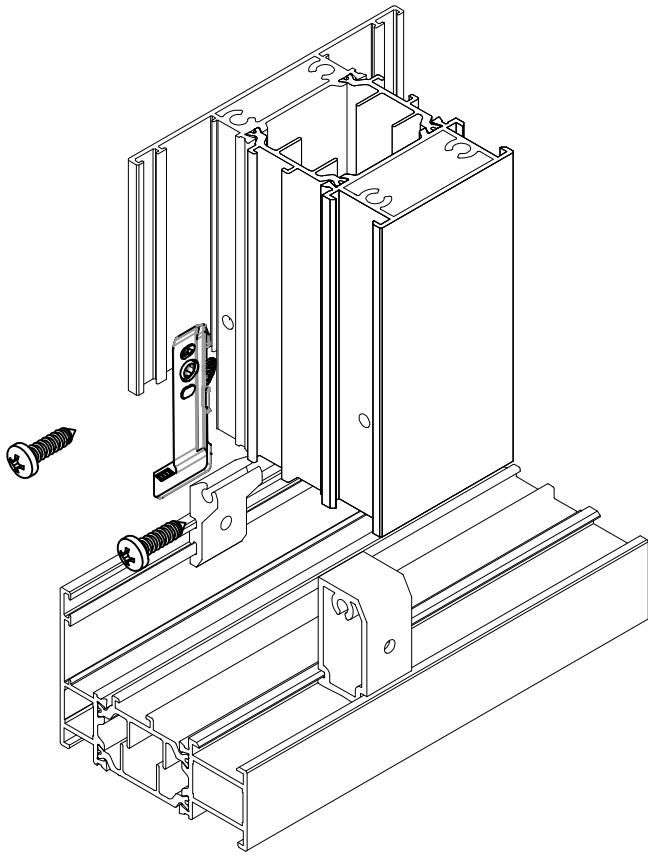
Front view
Scale 1:2



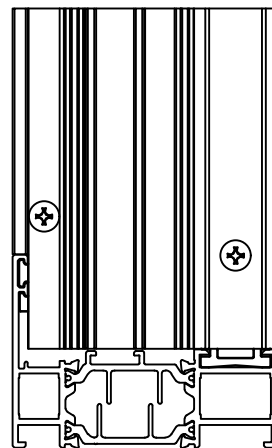
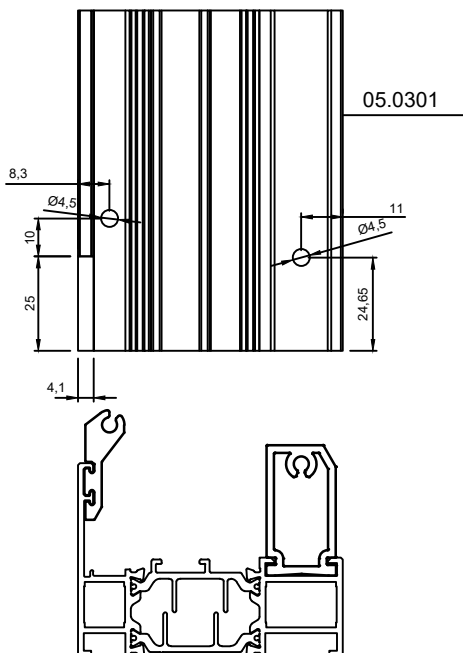
SCALE 1:2
FRONT VIEW



CONNECTION "T" PROFILE 05.0301 WITH FRAME 05.0100
AND CUTTING OF "T" PROFILE
CONNECTION WITH ACCESSORIES 05-3 & 05-4

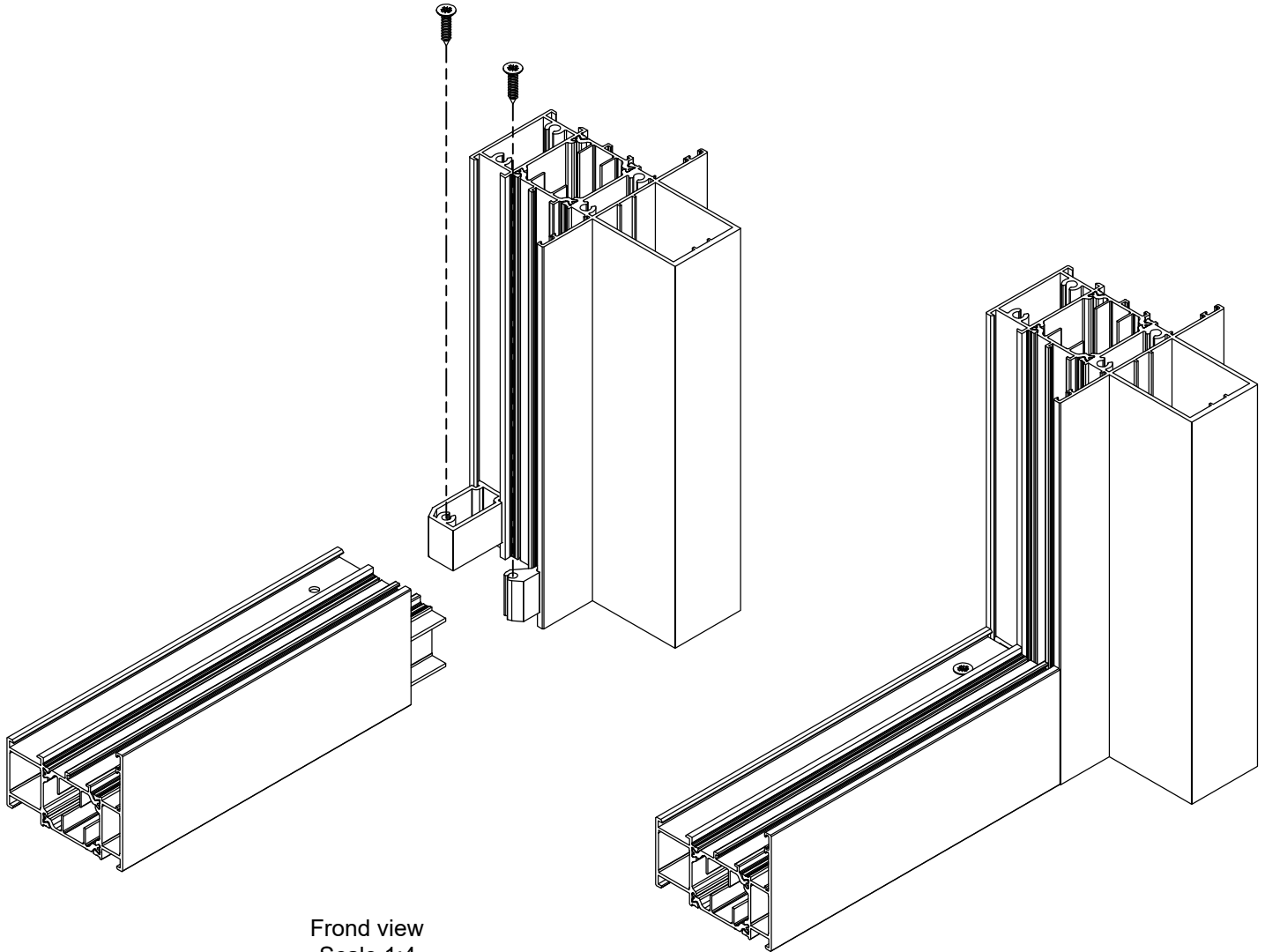


Front view
Scale 1:2

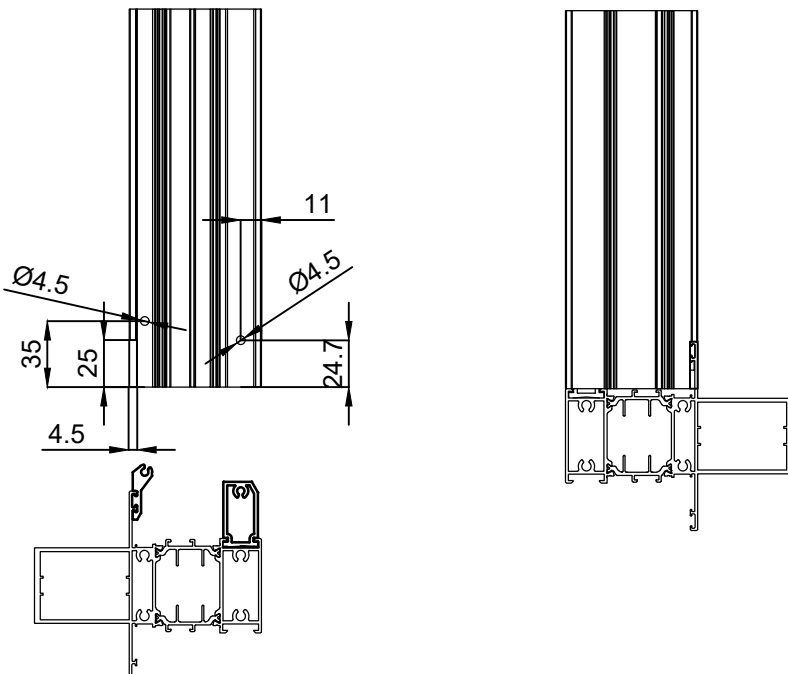


Series WDS 70



CONNECTION "MULION" PROFILE 05.0302 WITH FRAME 05.0101 AND CUTTING OF FRAME PROFILE CONNECTION WITH ACCESSORIES 05-3 & 05-4

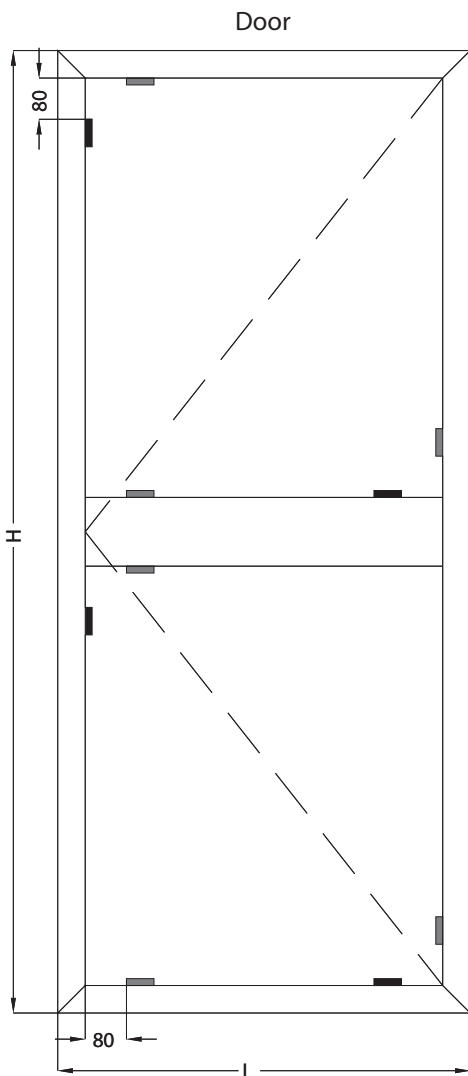


Front view
Scale 1:4

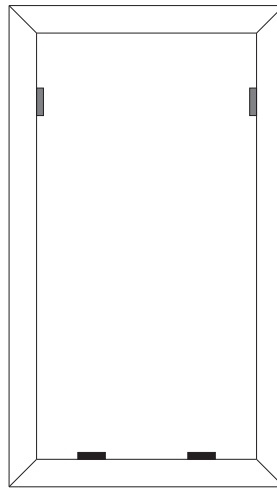


THREE DIMENSIONS DETAILS GLAZING WEDGES

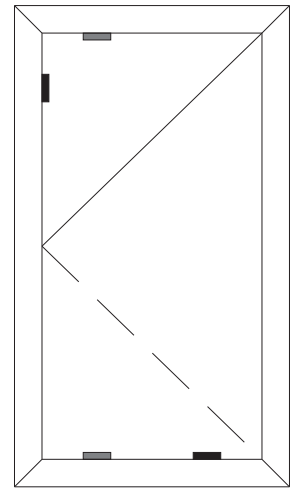
-  Glazing wedge for leveling
-  Glazing wedge for support



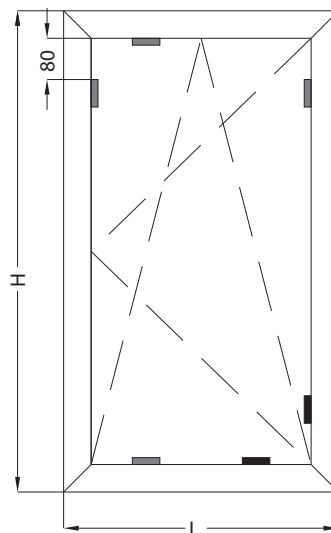
Fixed window



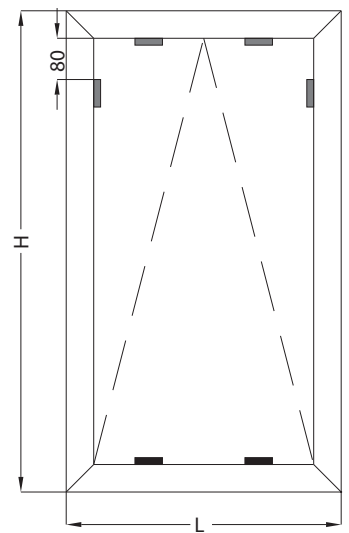
Turn window



Tilt and turn window

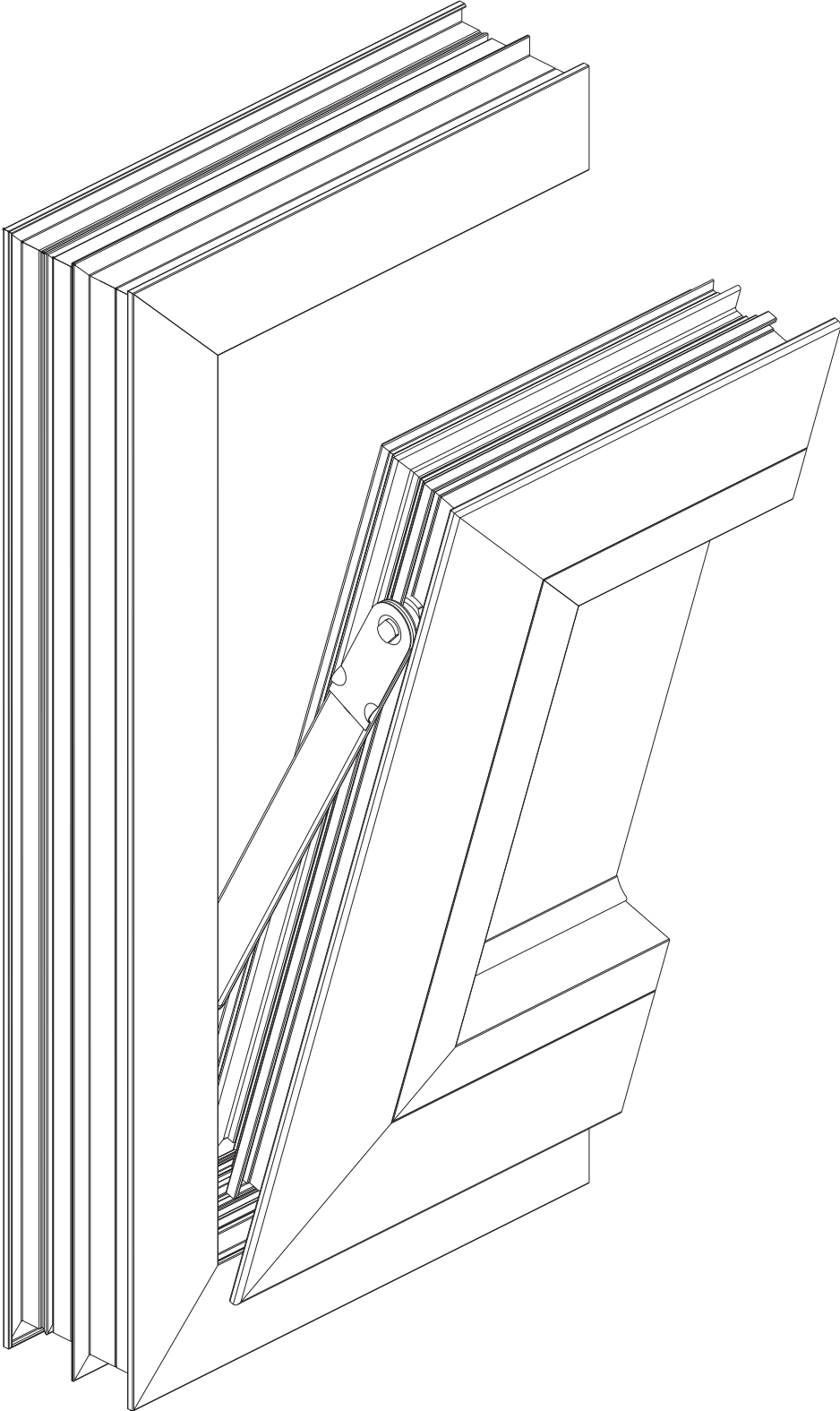


Tilt window



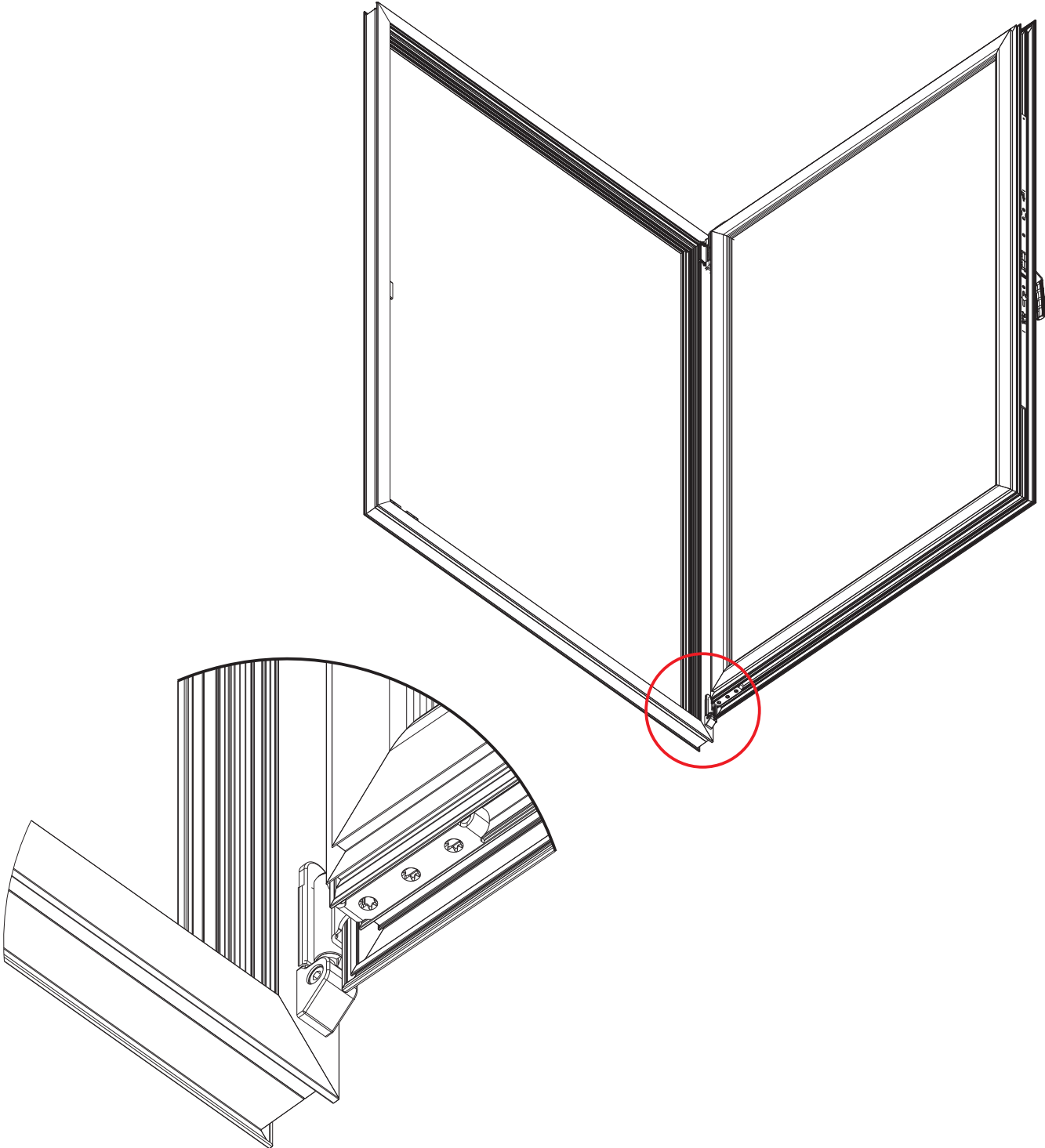
**Series
WDS 70**

THREE DIMENSIONS DETAILS



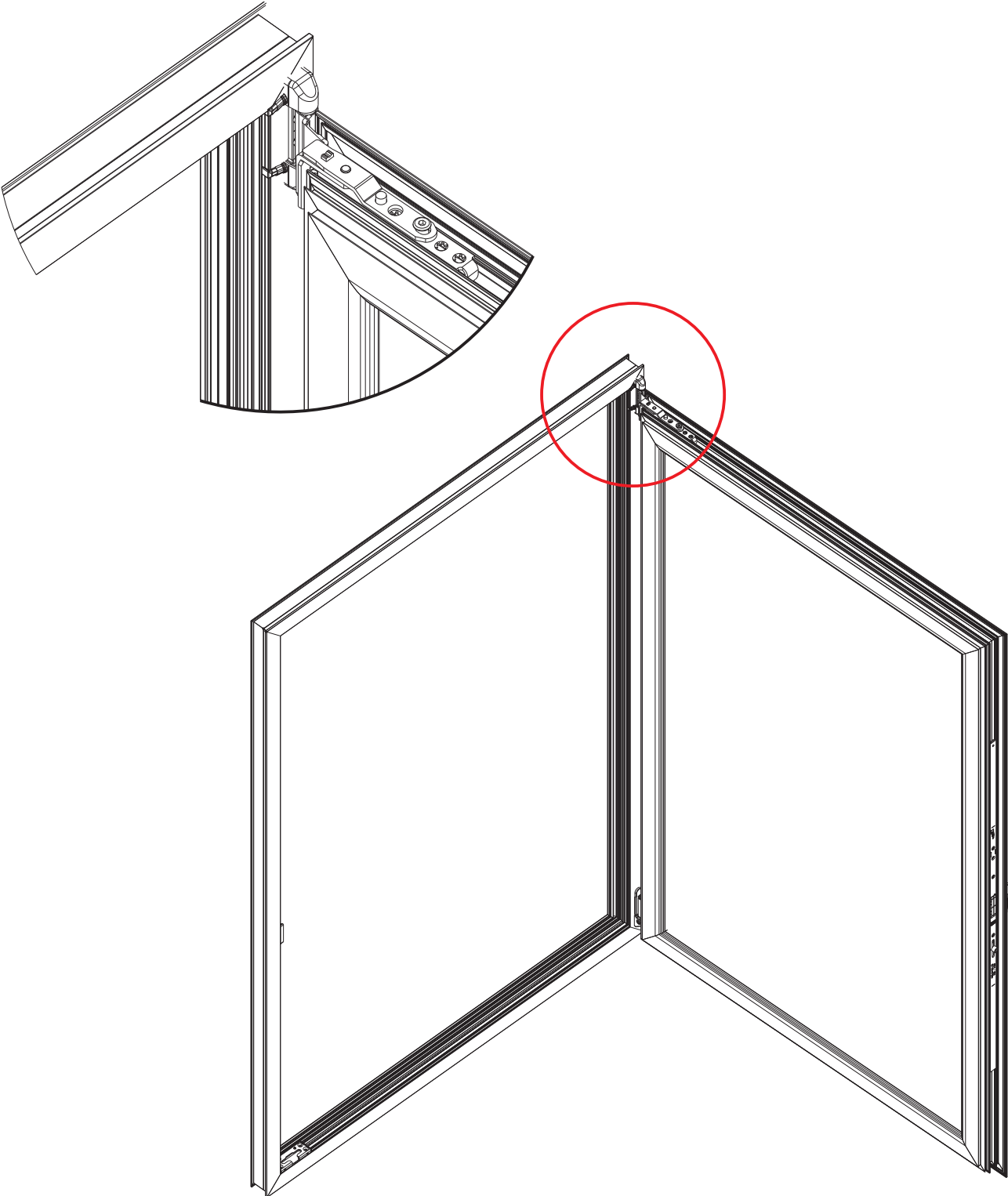
Series WDS 70

THREE DIMENSIONS DETAILS



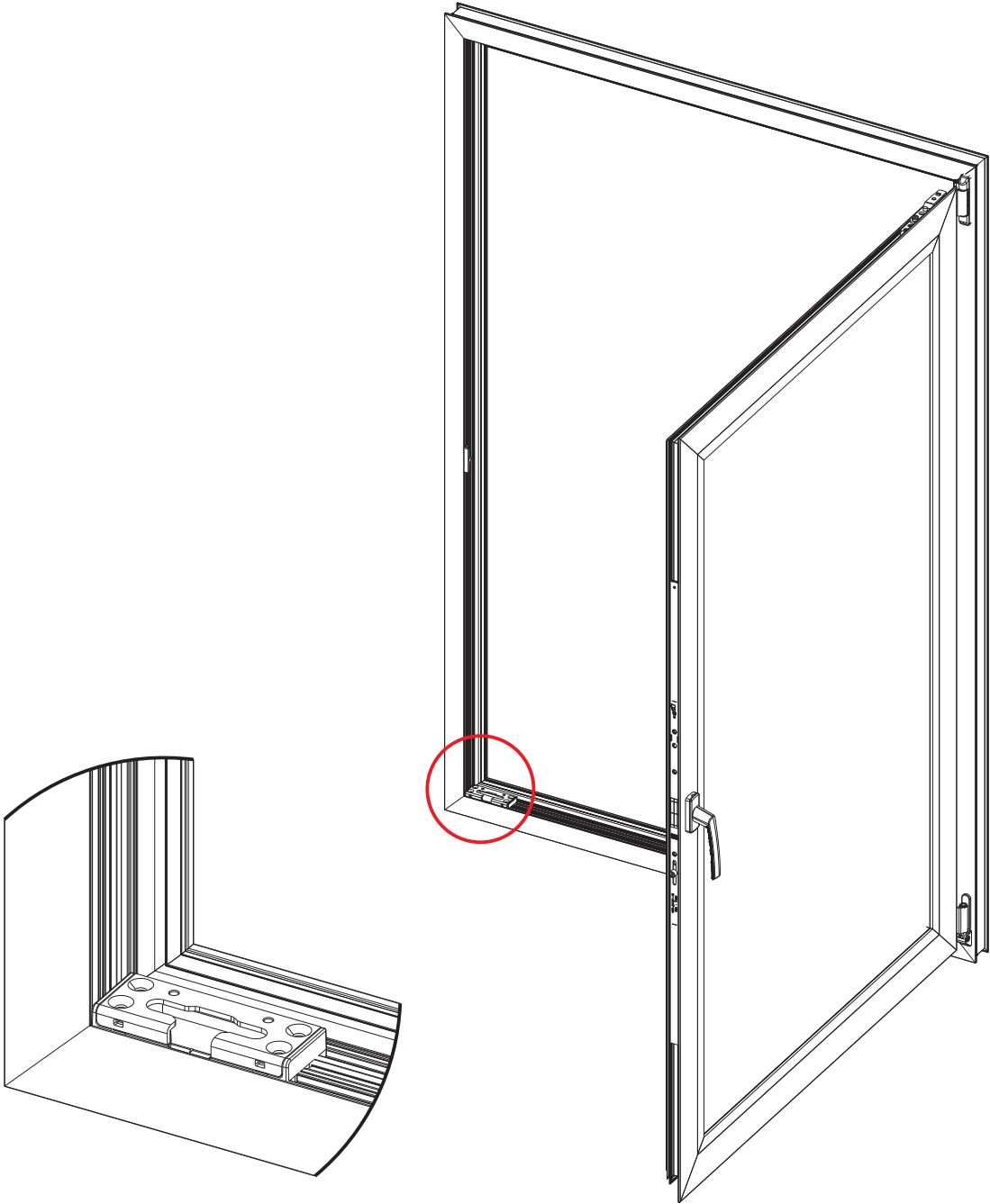
Series WDS 70

THREE DIMENSIONS DETAILS



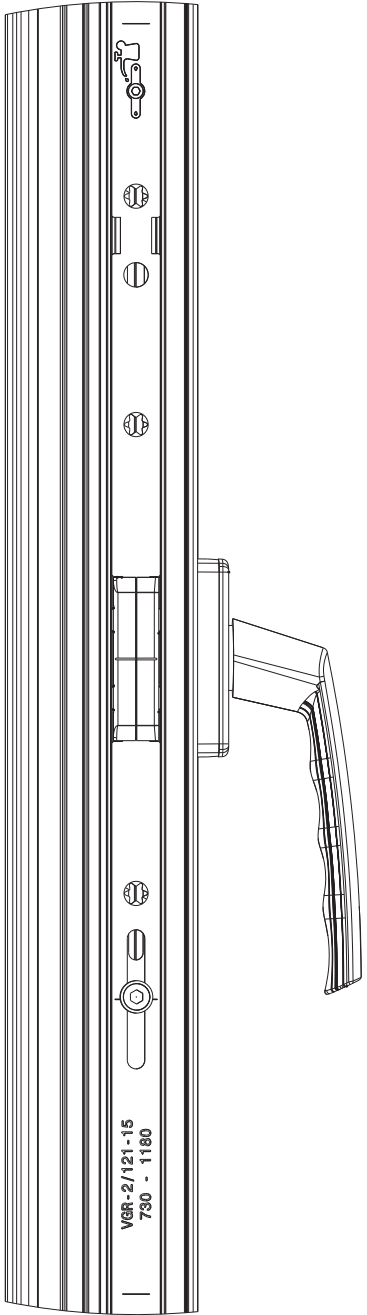
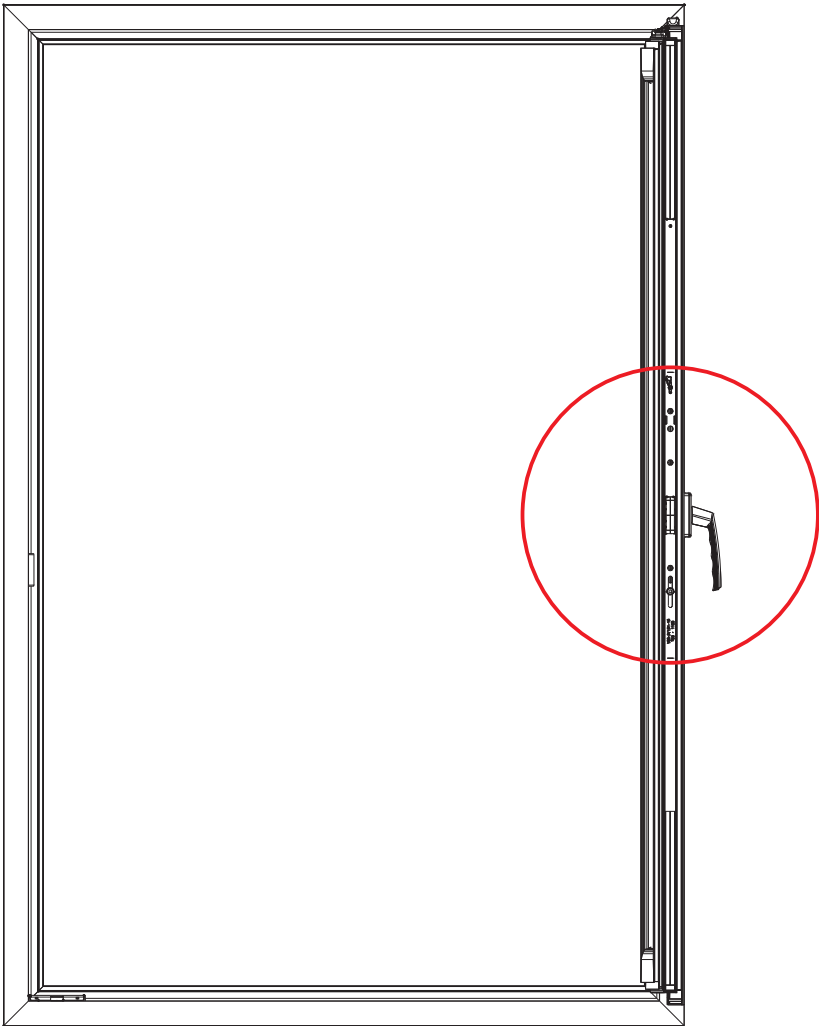
Series WDS 70

THREE DIMENSIONS DETAILS



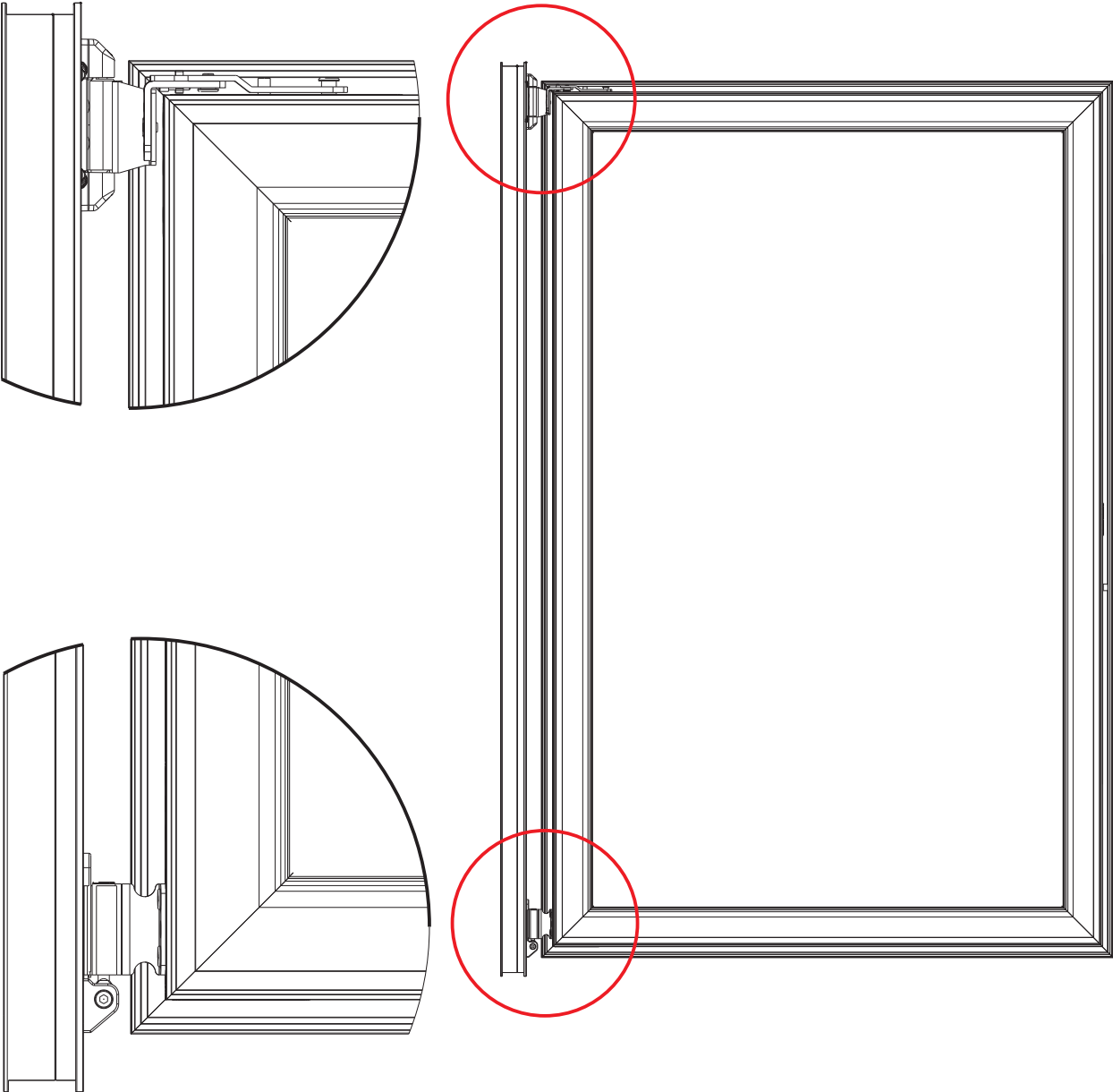
Series WDS 70

THREE DIMENSIONS DETAILS



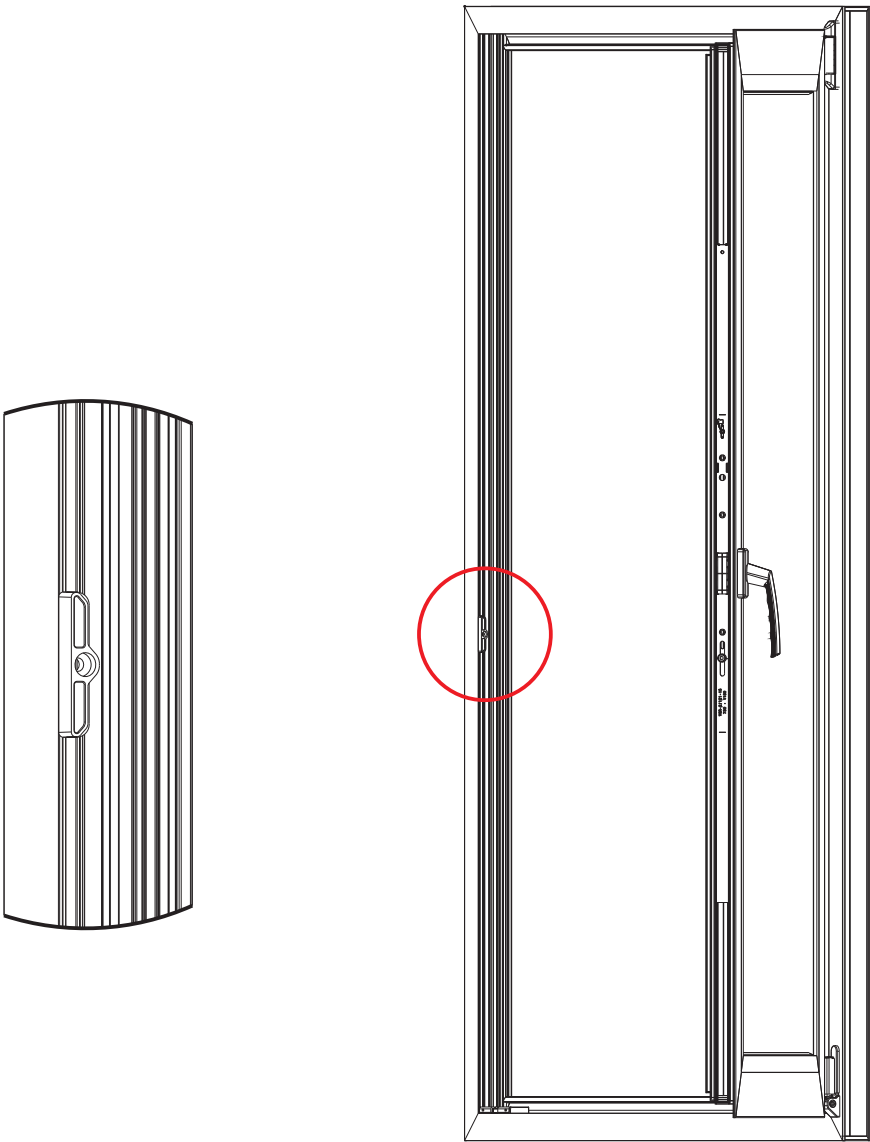
Series WDS 70

THREE DIMENSIONS DETAILS



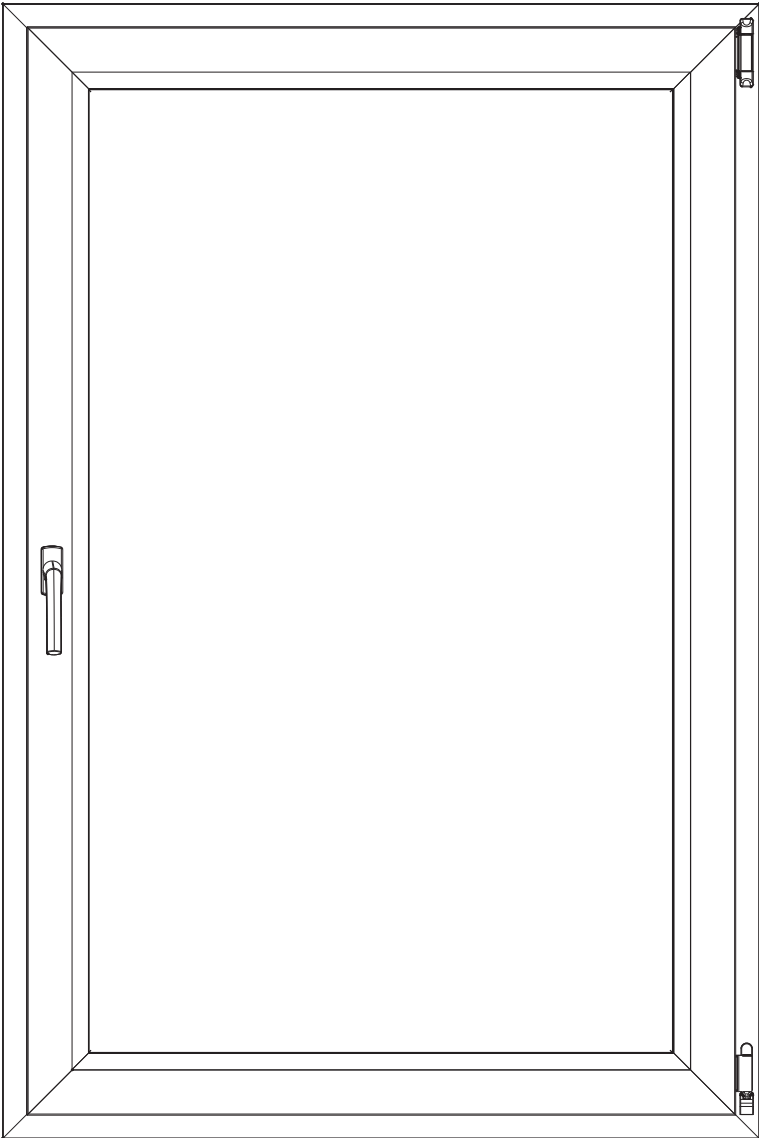
Series WDS 70

THREE DIMENSIONS DETAILS



Series WDS 70

THREE DIMENSIONS DETAILS





ALUMINIUM PROFILE SYSTEMS

8000 Burgas
South Industrial Zone, Bulgaria

Tel.: +359 56 880 440
Fax: +359 56 880 443
office@altest-kmg.com

www.altest-kmg.com